



Maintenance and Service Guide

SUMMARY

This guide provides information about spare parts, removal and replacement of parts, security, backing up, and more.

© Copyright 2020 HP Development Company, L.P.

Bluetooth is a trademark owned by its proprietor and used by HP Inc. under license. Intel, Celeron, Core, Iris, Optane, Pentium, and vPro are trademarks of Intel Corporation or its subsidiaries in the U.S. and/or other countries. NVIDIA, GeForce, and Optimus are trademarks and/or registered trademarks of NVIDIA Corporation in the U.S. and other countries. SDHC, SDXC, and microSD are trademarks or registered trademarks of SD-3C LLC. Microsoft and Windows are either registered trademarks or trademarks of Microsoft Corporation in the United States and/or other countries. Miracast is a registered trademark of Wi-Fi Alliance.

The information contained herein is subject to change without notice. The only warranties for HP products and services are set forth in the express warranty statements accompanying such products and services. Nothing herein should be construed as constituting an additional warranty. HP shall not be liable for technical or editorial errors or omissions contained herein.

First Edition: November 2020

Document Part Number: M21256-001

Product notice

This guide describes features that are common to most models. Some features may not be available on your computer.

Not all features are available in all editions or versions of Windows. Systems may require upgraded and/or separately purchased hardware, drivers, software or BIOS update to take full advantage of Windows functionality. Windows 10 is automatically updated, which is always enabled. ISP fees may apply and additional requirements may apply over time for updates. Go to <http://www.microsoft.com> for details.

To access the latest user guides, go to <http://www.hp.com/support>, and follow the instructions to find your product. Then select **Manuals**.

Software terms

By installing, copying, downloading, or otherwise using any software product preinstalled on this computer, you agree to be bound by the terms of the HP End User License Agreement (EULA). If you do not accept these license terms, your sole remedy is to return the entire unused product (hardware and software) within 14 days for a full refund subject to the refund policy of your seller.

For any further information or to request a full refund of the price of the computer, please contact your seller.

Safety warning notice

Reduce the possibility of heat-related injuries or of overheating the computer by following the practices described.


 **WARNING!** To reduce the possibility of heat-related injuries or of overheating the computer, do not place the computer directly on your lap or obstruct the computer air vents. Use the computer only on a hard, flat surface. Do not allow another hard surface, such as an adjoining optional printer, or a soft surface, such as pillows or rugs or clothing, to block airflow. Also, do not allow the AC adapter to come into contact with the skin or a soft surface, such as pillows or rugs or clothing, during operation. The computer and the AC adapter comply with the user-accessible surface temperature limits defined by applicable safety standards.

Table of contents

1 Product description	1
2 Components	5
Right side	5
Left side	6
Display	7
Low blue light mode (select products only)	7
Keyboard area	8
Touchpad settings and components	8
Touchpad settings	8
Adjusting touchpad settings	8
Turning on the touchpad	8
Touchpad components	8
Lights	9
Button, vent, speakers, and fingerprint reader	10
Special keys	12
Bottom	13
Labels	13
3 Illustrated parts catalog	16
Computer major components	16
Display assembly subcomponents	19
Cables	20
Miscellaneous parts	21
4 Removal and replacement procedures preliminary requirements	23
Tools required	23
Service considerations	23
Plastic parts	23
Cables and connectors	23
Drive handling	23
Electrostatic discharge information	24
Generating static electricity	24
Preventing electrostatic damage to equipment	25
Personal grounding methods and equipment	25
Grounding the work area	26

Recommended materials and equipment	26
Packaging and transporting guidelines	27
5 Removal and replacement procedures for authorized service provider parts	28
Component replacement procedures	28
Preparation for disassembly	28
Bottom cover	28
Battery	29
Hard drive	31
WLAN module	32
Solid-state drive	34
Memory modules	35
Solid-state drive board	36
Card reader board	38
USB board	39
Audio board	40
Touchpad button board	41
Fingerprint reader	42
Fan	43
Heat sink	44
System board	47
Display assembly	49
Power connector cable	56
Speakers	57
Keyboard with top cover	58
6 Backing up, restoring, and recovering	60
Backing up information and creating recovery media	60
Using Windows tools for backing up	60
Using the HP Cloud Recovery Download Tool to create recovery media (select products only)	60
Restoring and recovering your system	60
Creating a system restore	61
Restoring and recovery methods	61
Recovering using HP Recovery media	61
Changing the computer boot order	61
Using HP Sure Recover (select products only)	62
7 Computer Setup (BIOS), TPM, and HP Sure Start	63
Using Computer Setup	63
Navigating and selecting in Computer Setup	63

Restoring factory settings in Computer Setup	63
Updating the BIOS	64
Determining the BIOS version	64
Preparing for a BIOS update	64
Downloading a BIOS update	64
Installing a BIOS update	65
Changing the boot order using the f9 prompt	65
TPM BIOS settings (select products only)	65
Using HP Sure Start (select products only)	66
8 Using HP PC Hardware Diagnostics	67
Using HP PC Hardware Diagnostics Windows (select products only)	67
Using an HP PC Hardware Diagnostics Windows hardware failure ID code	67
Accessing HP PC Hardware Diagnostics Windows	67
Accessing HP PC Hardware Diagnostics Windows from HP Help and Support (select products only)	67
Accessing HP PC Hardware Diagnostics Windows from Support Assistant	67
Downloading HP PC Hardware Diagnostics Windows	68
Downloading the latest HP PC Hardware Diagnostics Windows version from HP	68
Downloading the HP PC Hardware Diagnostics Windows from the Microsoft Store	68
Downloading HP Hardware Diagnostics Windows by product name or number (select products only)	68
Installing HP PC Hardware Diagnostics Windows	69
Using HP PC Hardware Diagnostics UEFI	69
Using an HP PC Hardware Diagnostics UEFI hardware failure ID code	69
Starting HP PC Hardware Diagnostics UEFI	69
Downloading HP PC Hardware Diagnostics UEFI to a USB flash drive	70
Downloading the latest HP PC Hardware Diagnostics UEFI version	70
Downloading HP PC Hardware Diagnostics UEFI by product name or number (select products only)	70
Using Remote HP PC Hardware Diagnostics UEFI settings (select products only)	70
Downloading Remote HP PC Hardware Diagnostics UEFI	71
Downloading the latest Remote HP PC Hardware Diagnostics UEFI version	71
Downloading Remote HP PC Hardware Diagnostics UEFI by product name or number	71
Customizing Remote HP PC Hardware Diagnostics UEFI settings	71
9 Specifications	72
Computer specifications	72
39.6 cm (15.6 in) display specifications	72
Solid-state drive specifications	73

Solid-state drive specifications (SATA-3)	74
10 Statement of memory volatility	75
Current BIOS steps	75
Nonvolatile memory usage	77
Questions and answers	79
Using HP Sure Start (select products only)	80
11 Power cord set requirements	81
Requirements for all countries	81
Requirements for specific countries and regions	81
12 Recycling	83
Index	84

1 Product description

This table provides detailed product information.

Table 1-1 Product components and their descriptions

Category	Description
Product Name	HP 250 G8 Notebook PC HP 256 G8 Notebook PC
Processors	Intel Core® i7-1165G7 (2.8 GHz, 4 cores, 3200 MHz, 12 MB L3 cache, 15 W) Intel Core i5-1135G7 (2.4 GHz, 4 cores, 3200 MHz, 12 MB L3 cache, 15 W) Intel Core i3-1115G4 (3.0 GHz, 2 cores, 3200 MHz, 6 MB L3 cache, 15 W) Intel Core i7-1065G7 (1.3 GHz, 4 cores, 3200 MHz, 8 MB L3 cache, 12 W) Intel Core i5-1035G1 (1.0 GHz, 4 cores, 3200 MHz, 6 MB L3 cache, 12 W) Intel Core i3-1005G1 (1.2 GHz, 2 cores, 3200 MHz, 4 MB L3 cache, 13 W) Intel Pentium® Gold 7505 (2.0 GHz, 2 cores, 3200 MHz, 15 W) Intel Celeron® Silver N5030 (1.1 GHz, 4 cores, 3200 MHz, 6 W) Intel Celeron N4020 (1.1 GHz, 2 cores, 3200 MHz, 6 W)
Graphics	Internal graphics Intel Iris® Plus® Graphics (11th generation i7/i5 processors, 10 generation i7 processors) Intel UHD Graphics (11th generation i3 processors, 10th generation i5/i3 processors, 11th generation Pentium processors) Intel UHD Graphics 605 (Pentium processors) Intel UHD Graphics 600 (Celeron processors) Hybrid graphics NVIDIA® GeForce® MX350 graphics NVIDIA GeForce MX330 graphics NVIDIA GeForce MX130 graphics Supports HD Decode, DX12, and HDMI Supports Optimus® Supports FPS (GPU Performance Scaling)
Display	15.6 in (39.6 cm), WLED, narrow bezel High-definition (HD) (1366 × 768), antiglare, SVA, eDP 1.2, 250 nits Full high-definition (FHD) (1920 × 1080), antiglare, UWVA, eDP 1.2, 250 nits FHD, antiglare, SVA, eDP 1.2, 250 nits

Table 1-1 Product components and their descriptions (continued)

Category	Description
Memory	Two SODIMM slots, not customer accessible or upgradeable supporting up to 16 GB of RAM (Intel Core processors)
	DDR4-2400 dual-channel support (DDR4-3200 bridge to DDR4-2666)
	Supports the following configurations:
	<ul style="list-style-type: none"> • 16 GB (8 × 2)
	<ul style="list-style-type: none"> • 12 GB (8 + 4)
	<ul style="list-style-type: none"> • 8 GB (8 × 1) or (4 × 2)
	<ul style="list-style-type: none"> • 4 GB (4 × 1)
	One SODIMM slot, not customer accessible or upgradeable supporting up to 8 GB of RAM (Intel Pentium and Celeron processors)
	DDR4-2400 dual-channel support (DDR4-3200 bridge to DDR4-2666, DDR4-2666 downgrade to DDR-2400)
	Supports the following configurations:
<ul style="list-style-type: none"> • 8 GB (8 × 1) 	
<ul style="list-style-type: none"> • 4 GB (4 × 1) 	
Primary storage	PCIe, NVMe, M.2 2280 solid-state drives
	1 TB, PCIe
	512 GB, PCIe, TLC
	512 GB, PCIe
	512 GB + 32 GB Optane memory
	256 GB, PCIe
	256 GB + 16 GB Optane memory
	256 GB, SATA-3, TLC
	128 GB, SATA-3, TLC
	Hard drives, SATA, 6.35 cm (2.5 in.), 7.2 mm (0.28 in.)
	2 TB, 5400 rpm
	2 TB, 5400 rpm hard drive + 16 GB Optane memory
	1 TB, 5400 rpm
	1 TB, 5400 rpm hard drive + 16 GB Optane memory
	500 GB, 7200 rpm
	500 GB, 5400 rpm
	Dual storage configurations
	1 TB, 5400 rpm hard drive + 256 GB, PCIe, solid-state drive
	1 TB, 5400 rpm hard drive + 128 GB, SATA-3, TLC, solid-state drive
Audio and video	Audio control panel: HP Audio Center

Table 1-1 Product components and their descriptions (continued)

Category	Description
	Dual speakers
	HP TrueVision HD Camera: indicator LED, USB 2.0, HD, f2.0
	720p by 30 frames per second
	Dual-array digital microphone with appropriate software: beam forming, echo cancellation, noise suppression
RJ-45 (network) jack	Realtek RTL8111HSH-CG
Wireless	Compatible with Miracast® devices
	Turbo Lite WLAN SVTP
	Integrated wireless options with dual antennas
	Intel® 9560 802.11b/g/n/a/ac (2 × 2) and Bluetooth® 5
	Intel Wi-Fi 6 AX201 + Bluetooth 5 (non-vPro®) (802.11ax 2 × 2, MU-MIMO, supporting gigabit file transfer speeds)
	Integrated wireless options with single antenna
	Realtek RTL8821CE 802.11b/g/n/ac (1 × 1) and Bluetooth 4.2 combo
	Realtek RTL8821CE-M 802.11b/g/n/a/ac (1 × 1) MU-MIMO supported and Bluetooth 4.2 combo
Media card reader	Supports SDHC™, SDXC™
	Push-pull insertion/removal
Ports	Hot plug/unplug and autodetect for correct output to wide-aspect vs. standard aspect video
	HDMI v1.4b supporting: up to 1920 × 1080 @ 60 Hz
	Audio-out (headphone)/audio-in (microphone) combo jack
	USB 3.2 Gen 1 Type C (supports data transfer; left side)
	USB 3.2 Gen 1 Type A (2) (right side)
	RJ-45 (network) jack
	AC Smart Pin adapter plug
Keyboard/pointing devices	Keyboard
	Full size, backlit, 3-coat paint, island style, with numeric keypad
	Touchpad
	Clickpad with image sensor
	Multitouch gestures enabled
	Precision touchpad support
	Support for Modern Trackpad Gestures
	Taps enabled as default
Power requirements	Battery
	3 cell, 41 Whr, polymer, HP Long Life

Table 1-1 Product components and their descriptions (continued)

Category	Description
	HP Fast Charge Technology
	Smart AC adapters (4.5 mm)
	65 W, EM barrel, nPFC, 4.5 mm
	65 W, standard barrel, nPFC, right angle, 4.5 mm
	65 W, standard barrel, nPFC, right angle, 4.5 mm (for use in Argentina)
	45 W, standard barrel, nPFC, right angle, 4.5 mm
	45 W, standard barrel, nPFC, right angle, 4.5 mm (for use in Argentina)
	Power cord
	C5, conventional, 1 m
Security	Supports Trusted Platform Module (TPM) 2.0, firmware based
	Integrated fingerprint reader
Operating system	FreeDOS 3.0
	Windows® 10 Home 64
	Windows 10 Home 64 Chinese Market CPPP
	Windows 10 Home 64 High-end Chinese Market CPPP
	Windows 10 Home 64 Plus
	Windows 10 Home 64 Plus Single Language
	Windows 10 Home 64 Plus Single Language Africa Market PPP
	Windows 10 Home 64 Plus Single Language APAC EM PPP
	Windows 10 Home 64 Plus Single Language India Market PPP
	Windows 10 Home 64 Plus Single Language Indonesia Market PPP
	Windows 10 Home 64 Value Single Language
	Windows 10 Pro 64
	Windows 10 Pro 64 Chinese Market
	Windows 10 Pro 64 StF MSNA Emerging Market
	Windows 10 Pro 64 StF MSNA Plus
	Windows 10 Pro 64 StF MSNA Standard
	Windows 10 Pro 64 StF MSNA Strategic
Serviceability	End user replaceable parts
	AC adapter

2 Components

Your computer features top-rated components. This chapter provides details about your components, where they are located, and how they work.

Right side

Use the illustration and table to identify the components on the right side of the computer.

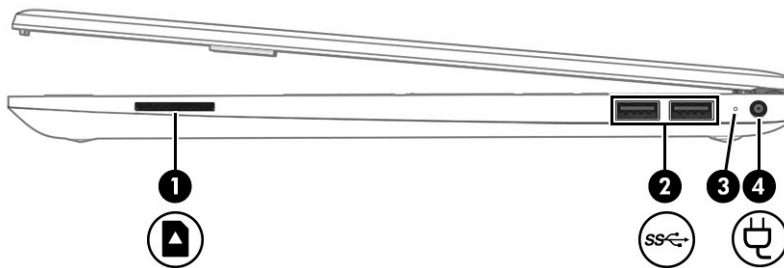





Table 2-1 Right-side components and their descriptions

Component	Description
(1)  Memory card reader	<p>Reads optional memory cards that enable you to store, manage, share, or access information.</p> <p>To insert a card:</p> <ol style="list-style-type: none">1. Hold the card label-side up, with connectors facing the computer.2. Insert the card into the memory card reader, and then press in on the card until it is firmly seated. <p>To remove a card:</p> <ul style="list-style-type: none">▲ Pull the card out of the memory card reader.
(2)  USB SuperSpeed ports (2)	<p>Connect a USB device, such as a cell phone, camera, activity tracker, or smartwatch, and provide high-speed data transfer.</p>
(3) AC adapter and battery light	<ul style="list-style-type: none">• White: The AC adapter is connected and the battery is fully charged.• Blinking white: The AC adapter is disconnected and the battery has reached a low battery level.• Amber: The AC adapter is connected and the battery is charging.• Off: The battery is not charging.
(4)  Power connector	<p>Connects an AC adapter.</p>

Left side

Use the illustration and table to identify the components on the left side of the computer.

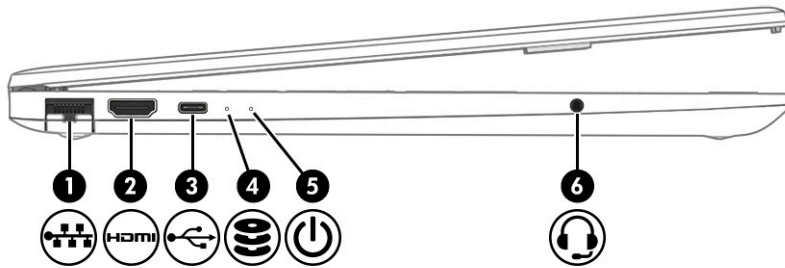
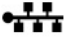







Table 2-2 Left-side components and their descriptions

Component	Description
(1)  RJ-45 (network) jack/status lights	Connects a network cable. <ul style="list-style-type: none"> White: The network is connected. Amber: Activity is occurring on the network.
(2)  HDMI port	Connects an optional video or audio device, such as a high-definition television, any compatible digital or audio component, or a high-speed High-Definition Multimedia Interface (HDMI) device.
(3)  USB Type-C port	Connects a USB device, such as a cell phone, camera, activity tracker, or smartwatch, and provides data transfer. <p>NOTE: Cables, adapters, or both (purchased separately) might be required.</p>
(4)  Drive light	Blinking white: The solid-state drive is being accessed.
(5)  Power light	<ul style="list-style-type: none"> On: The computer is on. Blinking white (select products only): The computer is in the Sleep state, a power-saving state. The computer shuts off power to the display and other unneeded components. Off: The computer is off or in Hibernation. Hibernation is a power-saving state that uses the least amount of power.
(6)  Audio-out (headphone)/Audio-in (microphone) combo jack	Connects optional powered stereo speakers, headphones, earbuds, a headset, or a television audio cable. Also connects an optional headset microphone. This jack does not support optional standalone microphones. <p>WARNING! To reduce the risk of personal injury, adjust the volume before putting on headphones, earbuds, or a headset. For additional safety information, see the <i>Regulatory, Safety, and Environmental Notices</i>.</p> <p>To access this guide:</p> <ul style="list-style-type: none"> ▲ Type HP Documentation in the taskbar search box, and then select HP Documentation. <p>NOTE: When a device is connected to the jack, the computer speakers are disabled.</p>

Display

The computer display can include essential components such as speakers, antennas, cameras, and microphones.

Low blue light mode (select products only)

Your computer display is shipped from the factory in low blue light mode for improved eye comfort and safety. Also, blue light mode automatically adjusts blue light emissions when you are using the computer at night or for reading.

⚠ WARNING! To reduce the risk of serious injury, read the *Safety & Comfort Guide*. It describes proper workstation setup and proper posture, health, and work habits for computer users. The *Safety & Comfort Guide* also provides important electrical and mechanical safety information. The *Safety & Comfort Guide* is available on the web at <http://www.hp.com/ergo>.

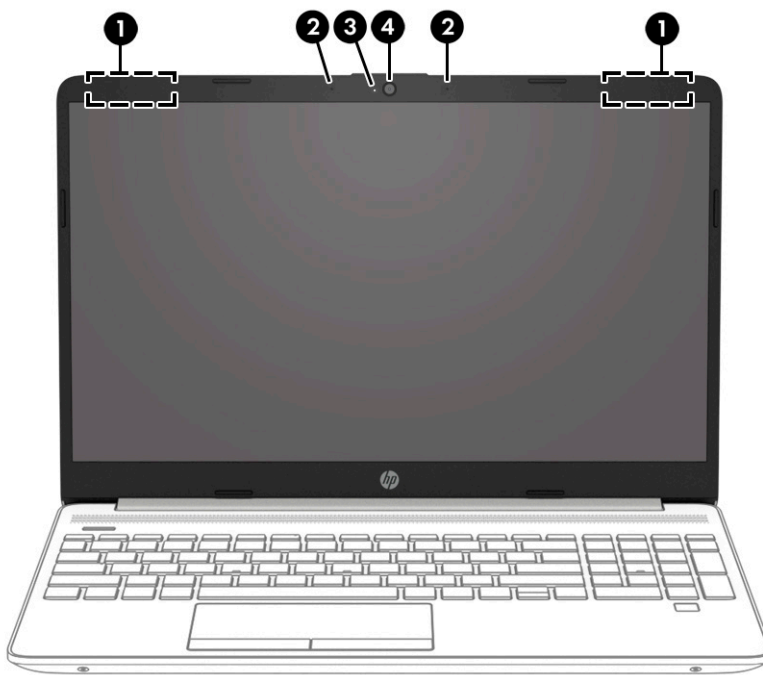


Table 2-3 Display components and their descriptions

Component	Description
(1) WLAN antennas* (1 or 2 depending on model)	Send and receive wireless signals to communicate with wireless local area networks (WLANs).
(2) Internal microphones	Record sound.
(3) Camera light	On: The camera is in use.
(4) Camera	Allows you to video chat, record video, and record still images. Some cameras also allow a facial recognition logon to Windows, instead of a password logon. NOTE: Camera functions vary depending on the camera hardware and software installed on your product.

*The antennas are not visible from the outside of the computer. For optimal transmission, keep the areas immediately around the antennas free from obstructions.

Table 2-3 Display components and their descriptions (continued)

Component	Description
	For wireless regulatory notices, see the section of the <i>Regulatory, Safety, and Environmental Notices</i> that applies to your country or region.
	To access this guide:
	▲ Type <code>HP Documentation</code> in the taskbar search box, and then select HP Documentation .

Keyboard area

Keyboards can vary by language.

Touchpad settings and components

Learn the touchpad settings and components

Touchpad settings

Learn how to adjust touchpad settings.

Adjusting touchpad settings

Use these steps to adjust touchpad settings and gestures.

1. Type `touchpad settings` in the taskbar search box, and then press `enter`.
2. Choose a setting.

Turning on the touchpad

Follow these steps to turn on the touchpad.

1. Type `touchpad settings` in the taskbar search box, and then press `enter`.
2. Using an external mouse, click the **touchpad** button.

If you are not using an external mouse, press the `Tab` key repeatedly until the pointer rests on the **touchpad** button. Then press the `spacebar` to select the button.

Touchpad components

Identify the touchpad components.

To adjust touchpad settings and gestures, or to turn off the touchpad:

1. Type **touchpad settings** in the taskbar search box, and then press `enter`.
2. Choose a setting.

To turn on the touchpad:

1. Type **touchpad settings** in the taskbar search box, and then press `enter`.
2. Using an external mouse, click the **touchpad** button.

- or -

- ▲ Press the **Tab** key repeatedly until the pointer rests on the **touchpad** button. Then press the spacebar to select the button.

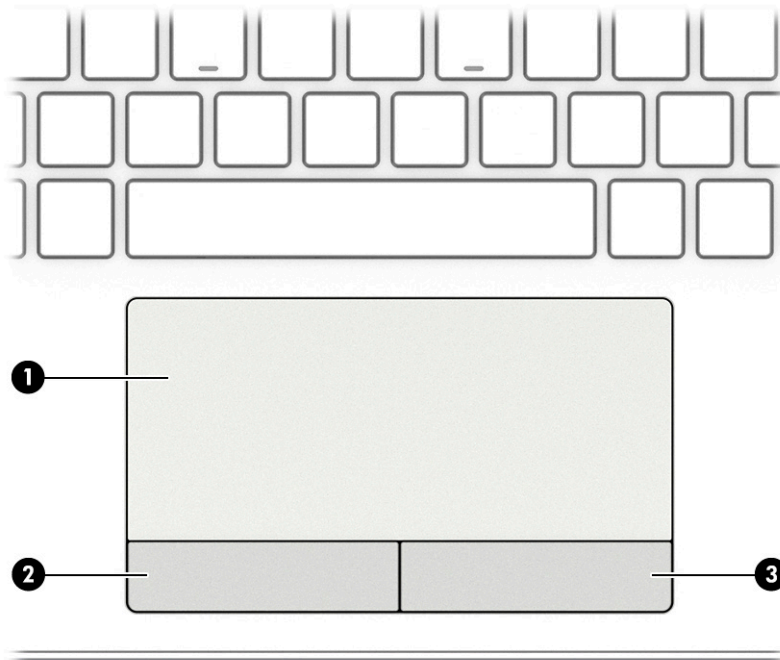


Table 2-4 Touchpad components and their descriptions

Component	Description
(1) Touchpad zone	Reads your finger gestures to move the pointer or activate items on the screen.
(2) Left touchpad button	Functions like the left button on an external mouse.
(3) Right touchpad button	Functions like the right button on an external mouse.

Lights

Identify the lights on the computer.

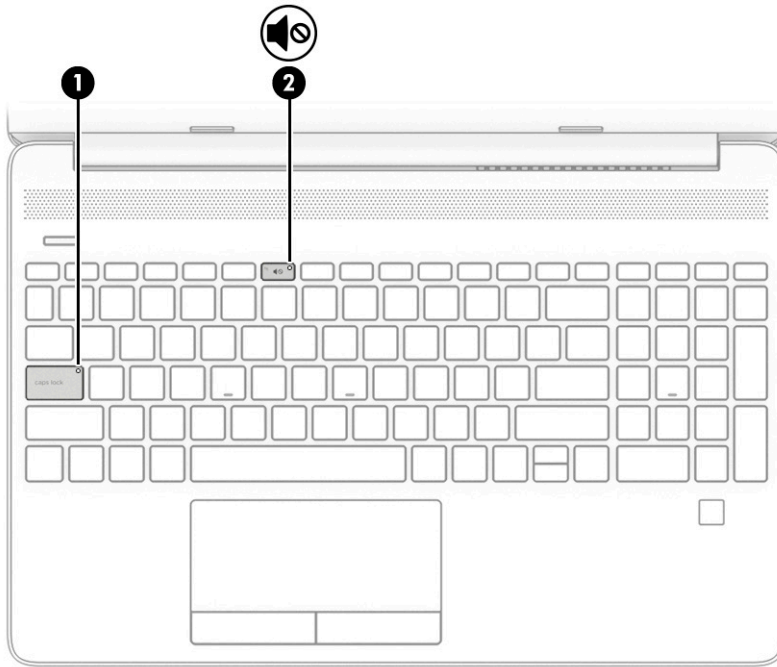



Table 2-5 Lights and their descriptions

Component	Description
(1) Caps lock light	On: Caps lock is on, which switches the key input to all capital letters.
(2)  Mute light	<ul style="list-style-type: none"> • On: Computer sound is off. • Off: Computer sound is on.

Button, vent, speakers, and fingerprint reader

Identify the computer button, vent, speakers, and fingerprint reader.

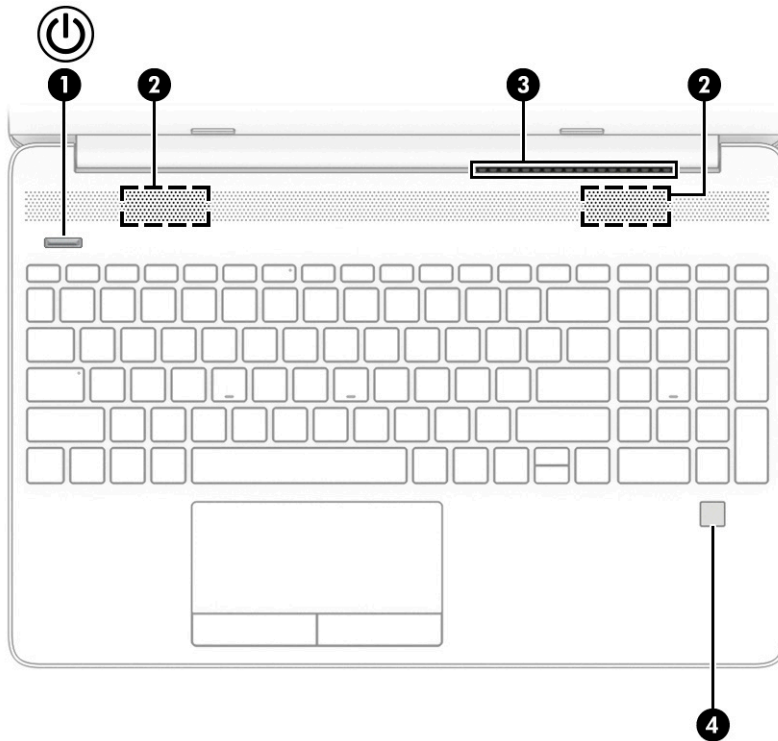


Table 2-6 Button, vent, speakers, and fingerprint reader and their descriptions


Component	Description
(1)  Power button	<ul style="list-style-type: none"> • When the computer is off, press the button briefly to turn on the computer. • When the computer is on, press the button briefly to initiate Sleep. • When the computer is in the Sleep state, press the button briefly to exit Sleep (select products only). • When the computer is in Hibernation, press the button briefly to exit Hibernation. <p>IMPORTANT: Pressing and holding down the power button results in the loss of unsaved information.</p> <p>If the computer has stopped responding and shutdown procedures are ineffective, press and hold the power button down for at least 10 seconds to turn off the computer.</p> <p>To learn more about your power settings, see your power options:</p> <ul style="list-style-type: none"> ▲ Right-click the Power icon, and then select Power Options.
(2) Speakers (2)	Produce sound
(3) Vent	Enables airflow to cool internal components.
(4) Fingerprint reader (select products only)	<p>NOTE: The computer fan starts up automatically to cool internal components and prevent overheating. It is normal for the internal fan to cycle on and off during routine operation.</p> <p>Allows a fingerprint logon to Windows, instead of a password logon.</p>

Table 2-6 Button, vent, speakers, and fingerprint reader and their descriptions (continued)

Component	Description
	<p>▲ Touch your finger to the fingerprint reader.</p> <p>IMPORTANT: To prevent fingerprint logon issues, make sure when you register your fingerprint that all sides of your finger are registered by the fingerprint reader.</p>

Special keys

Identify the special keys.

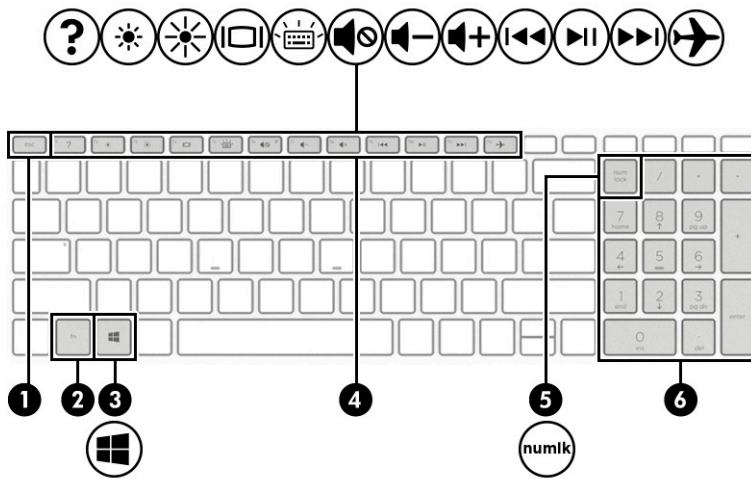



Table 2-7 Special keys and their descriptions

Component	Description
(1) <code>esc</code> key	Displays system information when pressed in combination with the <code>fn</code> key.
(2) <code>fn</code> key	Executes specific functions when pressed in combination with another key.
(3)  Windows key	Opens the Start menu. NOTE: Pressing the Windows key again will close the Start menu.
(4) Action keys	Execute frequently used system functions.
(5) <code>num lock</code> key	Alternates between the navigational and numeric functions on the integrated numeric keypad.
(6) Integrated numeric keypad	A separate keypad to the right of the alphabet keyboard. When <code>num lock</code> is pressed, the keypad can be used like an external numeric keypad. NOTE: If the keypad function is active when the computer is turned off, that function is reinstated when the computer is turned back on.

Bottom

Identify the bottom component.

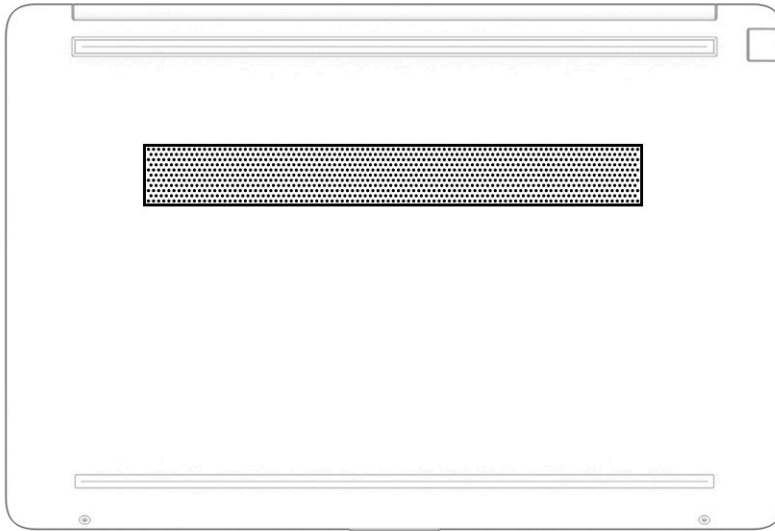



Table 2-8 Bottom component and its description

Component	Description
Vent	Enables airflow to cool internal components. NOTE: The computer fan starts up automatically to cool internal components and prevent overheating. It is normal for the internal fan to cycle on and off during routine operation.

Labels

The labels affixed to the computer provide information you might need when you troubleshoot system problems or travel internationally with the computer. Labels might be in paper form or imprinted on the product.

 **IMPORTANT:** Check the following locations for the labels described in this section: the bottom of the computer, inside the battery bay, under the service door, on the back of the display, or on the bottom of a tablet kickstand.

- **Service label**—Provides important information to identify your computer. When contacting support, you might be asked for the serial number, the product number, or the model number. Locate this information before you contact support.

Your service label will resemble one of these examples. Refer to the illustration that most closely matches the service label on your computer.

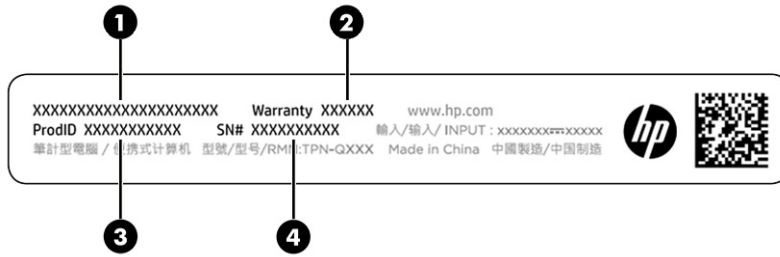


Table 2-9 Service label components

Component	
(1)	HP product name
(2)	Warranty period
(3)	Product ID
(4)	Serial number

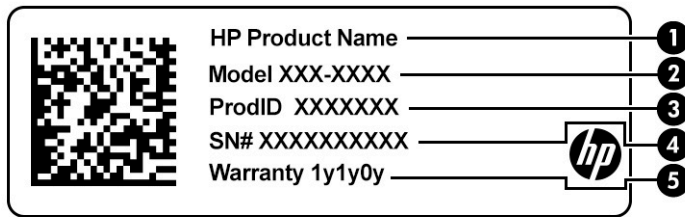


Table 2-10 Service label components

Component	
(1)	HP product name
(2)	Model number
(3)	Product ID
(4)	Serial number
(5)	Warranty period

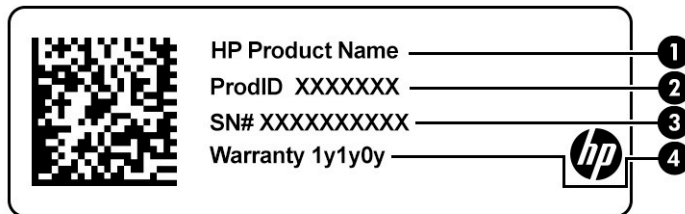


Table 2-11 Service label components

Component	
(1)	HP product name
(2)	Product ID
(3)	Serial number
(4)	Warranty period

- Regulatory labels—Provide regulatory information about the computer.
- Wireless certification labels—Provide information about optional wireless devices and the approval markings for the countries or regions in which the devices have been approved for use.

3 Illustrated parts catalog

Use this table to determine the spare parts that are available for the computer.

Computer major components

To identify the computer major components, use this illustration and table.

NOTE: HP continually improves and changes product parts. For complete and current information about supported parts for your computer, go to <http://partsurfer.hp.com>, select your country or region, and then follow the on-screen instructions.

NOTE: Details about your computer, including model, serial number, product key, and length of warranty, are on the service tag at the bottom of your computer.

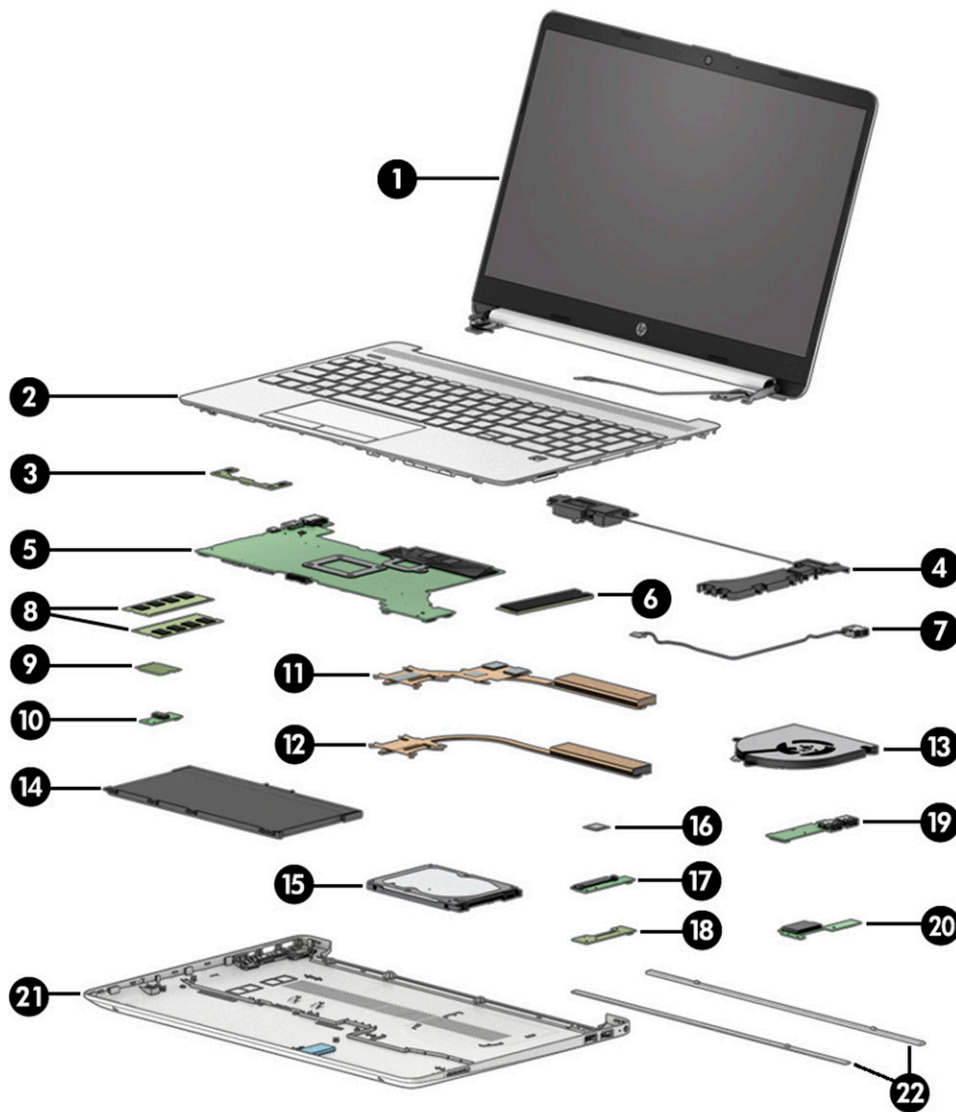


Table 3-1 Computer major component descriptions and part numbers

Item	Component	Spare part number
(1)	Display assembly NOTE: Displays are available as spare parts only at the subcomponent level. For display assembly spare part information, see Display assembly subcomponents on page 19 .	not available as a spare part
(2)	Keyboard/top cover For a detailed list of country codes, see Keyboard with top cover on page 58 .	
	Black	L31099-xx1
	Silver	M31100-xx1
(3)	Touchpad button board NOTE: The touchpad button board cable is available using spare part number L52037-001. The touchpad cable is available using spare part number L52038-001.	L52029-001
(4)	Speakers (left and right)	L52040-001
(5)	System board (includes processor) All system boards use the following part numbers: xxxxxx-001: Non-Windows operating system xxxxxx-601: Windows 10 operating system For use in models with discrete graphics memory:	
	<ul style="list-style-type: none"> Intel Core i7-1165G7 processor and NVIDIA GeForce MX350 graphics 	M31112-xx1
	<ul style="list-style-type: none"> Intel Core i7-1065G7 processor and NVIDIA GeForce MX330 graphics 	M31107-xx1
	<ul style="list-style-type: none"> Intel Core i5-1035G1 processor and NVIDIA GeForce MX130 graphics 	M31106-xx1
	<ul style="list-style-type: none"> Intel Core i3-1005G1 processor and NVIDIA GeForce MX130 graphics 	M31105-xx1
	For use in models with UMA graphics memory:	
	<ul style="list-style-type: none"> Intel Core i7-1165G7 processor 	M31110-xx1
	<ul style="list-style-type: none"> Intel Core i5-1135G7 processor 	M31109-xx1
	<ul style="list-style-type: none"> Intel Core i3-1115G4 processor 	M31108-xx1
	<ul style="list-style-type: none"> Intel Core i7-1065G7 processor 	M31104-xx1
	<ul style="list-style-type: none"> Intel Core i5-1035G1 processor 	M31103-xx1
	<ul style="list-style-type: none"> Intel Core i3-1005G1 processor 	M31102-xx1
	<ul style="list-style-type: none"> Intel Pentium Gold 7505 processor 	M31111-xx1
	<ul style="list-style-type: none"> Intel Pentium Silver N5030 processor 	M31113-xx1
	<ul style="list-style-type: none"> Intel Celeron N4020 processor 	M31114-xx1
(6)	Solid-state drive	
	1 TB, PCIe	L85370-005
	512 GB, PCIe, TLC	L85360-005
	512 GB, PCI + 32 GB Optane memory	L85366-005

Table 3-1 Computer major component descriptions and part numbers (continued)

Item	Component	Spare part number
	256 GB, PCIe	L85354-005
	256 GB, PCI + 16 GB Optane memory	L85356-005
	16 GB Optane memory module	L85372-005
	256 GB, SATA-3, TLC	938184-855
	128 GB, SATA-3, TLC	L85346-005
(7)	Power connector (DC-in) cable	L51995-001
(8)	Memory modules (DDR4-2666)	
	8 GB	937236-855
	4 GB	L10598-855
(9)	WLAN module	
	Realtek RTL8821CE 802.11ac 1 × 1 Wi-Fi + Bluetooth 4.2	L17365-005
	Realtek RTL8821CE-M 802.11ac 1 × 1 Wi-Fi + Bluetooth 4.2	M09870-005
	Intel Wi-Fi 6 AX201 (NGW) 802.11ax 2 × 2 Wi-Fi + Bluetooth 5 (non-vPro)	L57250-005
	Intel Wi-Fi 6 AX201 (NGW-W) 802.11ax 2 × 2 Wi-Fi + Bluetooth 5 (non-vPro)	L92724-005
	Realtek RTL8822CE 802.11ac 2 × 2 Wi-Fi + Bluetooth 5	L44796-005
(10)	Audio board	L52028-001
	NOTE: The audio board cable is available using spare part number L52035-001.	
	Heat sink (includes replacement thermal material)	
(11)	For use in models with discrete graphics memory	L52032-001
(12)	For use in models with UMA graphics memory	L52033-001
(13)	Fan	L52034-001
(14)	Battery (3 cell, 41 Whr)	L11119-855
(15)	Hard drive (does not include hard drive cable)	
	2 TB, 5400 rpm	912487-855
	1 TB, 5400 rpm	L30422-005
	500 GB, 7200 rpm	703267-005
	500 GB, 5400 rpm	778186-005
(16)	Fingerprint reader	M31086-001
	NOTE: The fingerprint reader cable is available using spare part number L52036-001.	
(17)	Hard drive board	L52024-001
	NOTE: The hard drive board cable is available using spare part number L52025-001.	
(18)	Solid-state drive board	L52026-001
	NOTE: The solid-state drive board cable is available using spare part number L52025-001.	
(19)	USB board	L52031-001

Table 3-1 Computer major component descriptions and part numbers (continued)

Item	Component	Spare part number
	NOTE: The USB board cable is available using spare part number L52039-001.	
(20)	Card reader board	L52030-001
	NOTE: The card reader board cable is available using spare part number L52027-001.	
(21)	Bottom cover	
	Asteroid silver	M31084-001
	Dark ash silver	M31085-001
(22)	Rubber Foot Kit	
	Natural silver	L52041-001
	Dark ash silver	L94457-001

Display assembly subcomponents

To identify the display assembly subcomponents, use this illustration and table.

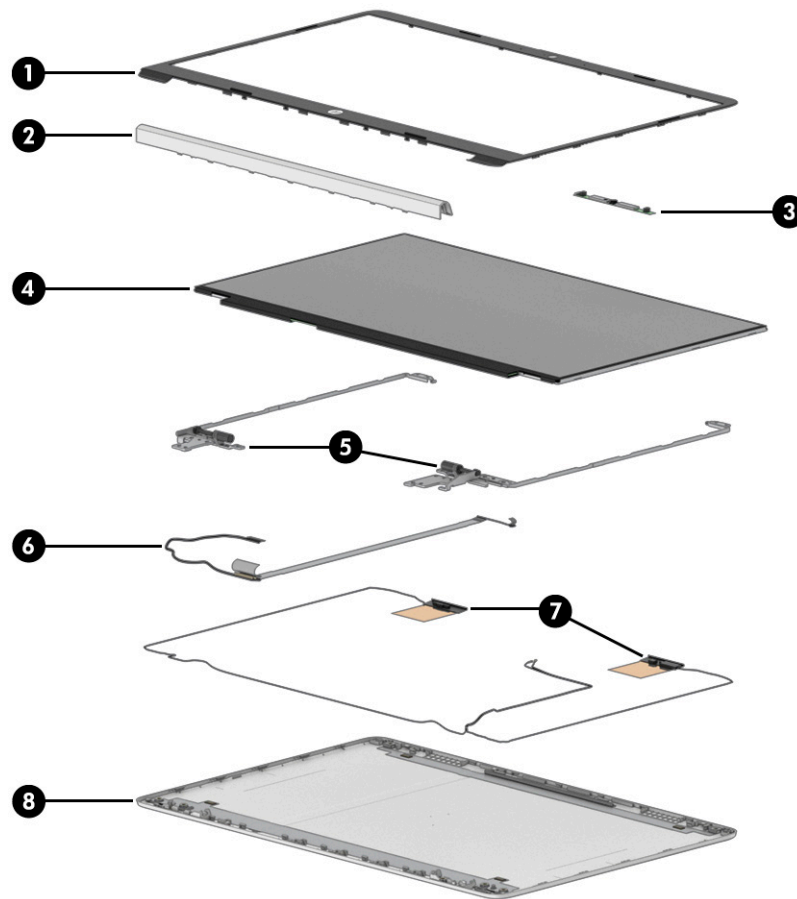


Table 3-2 Display component descriptions and part numbers

Item	Component	Spare part number
(1)	Display bezel	L52014-001
(2)	Hinge cover (includes display bezel adhesive and display rear cover adhesive)	
	Asteroid silver	M31088-001
	Dark ash silver	M31089-001
(3)	Camera module (includes display panel adhesive kit)	
	HD camera	L51996-001
	VGA camera	M03672-001
(4)	Display panel (includes display panel adhesive kit)	
	FHD, SVA	M31115-001
	FHD, UWVA	M31117-001
	HD, SVA	M31116-001
(5)	Hinges (includes left and right display hinges; includes display panel adhesive and display bezel adhesive)	L52009-001
(6)	Display panel cable (includes display panel adhesive and display bezel adhesive)	L52015-001
(7)	Wireless antenna kit (includes display panel adhesive kit)	
	Dual antennas	L52018-001
(8)	Display back cover (includes antenna cables, display bezel adhesive and display panel adhesive tape kit)	
	Asteroid silver	M31082-001
	Dark ash silver	M31083-001
	LCD support kit (includes display panel adhesive and display bezel adhesive; not illustrated)	M31118-001
	Adhesive tape kit (includes display panel adhesive and display bezel adhesive; not illustrated)	L52528-001

Cables

To identify the cables, use this illustration and table.

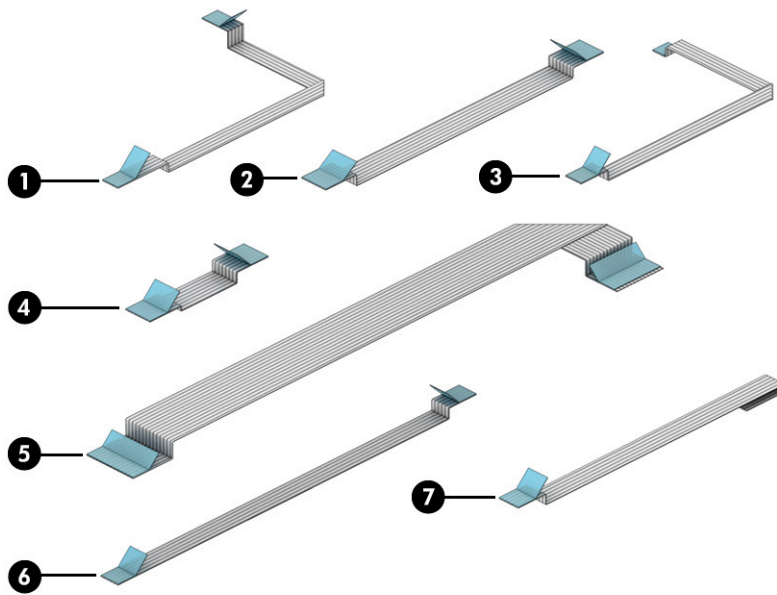


Table 3-3 Cable descriptions and part numbers

Item	Component	Spare part number
(1)	Hard drive/solid-state drive cable	L52025-001
(2)	USB board cable	L52039-001
(3)	Audio board cable	L52035-001
(4)	Card reader board cable	L52027-001
(5)	Fingerprint reader board cable	L52036-001
(6)	Touchpad button board cable	L52037-001
(7)	Touchpad cable	L52038-001

Miscellaneous parts

To identify the miscellaneous parts, use this table.

Table 3-4 Miscellaneous part descriptions and part numbers

Component	Spare part number
AC adapters	
65 W HP Smart AC adapter (non-PFC, EM, 4.5 mm)	913691-850
65 W HP Smart AC adapter (non-PFC, 4.5 mm)	710412-001
45 W HP Smart AC adapter (non-PFC, RC, 4.5 mm, nonslim)	741727-001
Screw Kit	L52043-001
Power cord (duck head)	
Japan	L33157-001
Power cords (C5, 1.0 m [3.3 ft])	

Table 3-4 Miscellaneous part descriptions and part numbers (continued)

Component	Spare part number
Argentina	L19357-001
Australia	L19358-001
Denmark	L19360-001
Europe (Austria, Belgium, Finland, France, Germany, the Netherlands, Norway, and Sweden)	L19361-001
India	L19363-001
Israel	L19362-001
Italy	L19364-001
Japan	L19365-001
North America	L19367-001
People's Republic of China	L19368-001
South Africa	L19369-001
South Korea	L19366-001
Switzerland	L19370-001
Taiwan	L19372-001
Thailand	L19371-001
United Kingdom	L19373-001

4 Removal and replacement procedures preliminary requirements

Use this information to properly prepare to disassemble and reassemble the computer.


Tools required

You need the following tools to complete the removal and replacement procedures:

- Tweezers
- Nonconductive, nonmarking pry tool
- Magnetic Phillips P1 screwdriver

Service considerations

The following sections include some of the considerations that you must keep in mind during disassembly and assembly procedures.


 **NOTE:** As you remove each subassembly from the computer, place the subassembly (and all accompanying screws) away from the work area to prevent damage.

Plastic parts

Using excessive force during disassembly and reassembly can damage plastic parts.

Cables and connectors

Handle cables with extreme care to avoid damage.

 **IMPORTANT:** When servicing the computer, be sure that cables are placed in their proper locations during the reassembly process. Improper cable placement can damage the computer.

Apply only the tension required to unseat or seat the cables during removal and insertion. Handle cables by the connector whenever possible. In all cases, avoid bending, twisting, or tearing cables. Be sure that cables are routed so that they cannot be caught or snagged as you remove or replace parts. Handle flex cables with extreme care; these cables tear easily.

Drive handling

Note the following guidelines when handling drives.



IMPORTANT: Drives are fragile components. Handle them with care. To prevent damage to the computer, damage to a drive, or loss of information, observe these precautions:

Before removing or inserting a hard drive, shut down the computer. If you are unsure whether the computer is off or in Hibernation, turn the computer on, and then shut it down through the operating system.

Before handling a drive, be sure that you are discharged of static electricity. While handling a drive, avoid touching the connector.

Before removing an optical drive, be sure that a disc is not in the drive, and be sure that the optical drive tray is closed.

Handle drives on surfaces covered with at least 2.54 cm (1 inch) of shock-proof foam.

Avoid dropping drives from any height onto any surface.

After removing a hard drive or an optical drive, place it in a static-proof bag.

Avoid exposing an internal hard drive to products that have magnetic fields, such as monitors or speakers.

Avoid exposing a drive to temperature extremes or liquids.

If a drive must be mailed, place the drive in a bubble pack mailer or other suitable form of protective packaging, and label the package “FRAGILE.”

Electrostatic discharge information

A sudden discharge of static electricity from your finger or other conductor can destroy static-sensitive devices or microcircuitry. Often the spark is neither felt nor heard, but damage occurs. An electronic device exposed to electrostatic discharge (ESD) might not appear to be affected at all and can work perfectly throughout a normal cycle. The device might function normally for a while, but it has been degraded in the internal layers, reducing its life expectancy.

Networks built into many integrated circuits provide some protection, but in many cases, the discharge contains enough power to alter device parameters or melt silicon junctions.



IMPORTANT: To prevent damage to the device when you remove or install internal components, observe these precautions:

Keep components in their electrostatic-safe containers until you are ready to install them.

Before touching an electronic component, discharge static electricity by using the guidelines described [Personal grounding methods and equipment on page 25](#).

Avoid touching pins, leads, and circuitry. Handle electronic components as little as possible.

If you remove a component, place it in an electrostatic-safe container.

Generating static electricity

Follow these static electricity guidelines.

- Different activities generate different amounts of static electricity.
- Static electricity increases as humidity decreases.

Table 4-1 Static electricity occurrence based on activity and humidity

Event	Relative humidity		
	55%	40%	10%
Walking across carpet	7,500 V	15,000 V	35,000 V

Table 4-1 Static electricity occurrence based on activity and humidity (continued)

	Relative humidity		
Walking across vinyl floor	3,000 V	5,000 V	12,000 V
Motions of bench worker	400 V	800 V	6,000 V
Removing DIPs (dual in-line packages) from plastic tube	400 V	700 V	2,000 V
Removing DIPs from vinyl tray	2,000 V	4,000 V	11,500 V
Removing DIPs from polystyrene foam	3,500 V	5,000 V	14,500 V
Removing bubble pack from PCB (printed circuit board)	7,000 V	20,000 V	26,500 V
Packing PCBs in foam-lined box	5,000 V	11,000 V	21,000 V

Multiple electric components can be packaged together in plastic tubes, trays, or polystyrene foam.

 **NOTE:** As little as 700 V can degrade a product.

Preventing electrostatic damage to equipment

Many electronic components are sensitive to ESD. Circuitry design and structure determine the degree of sensitivity. The following packaging and grounding precautions are necessary to prevent static electricity damage to electronic components.

- To avoid hand contact, transport products in static-safe containers such as tubes, bags, or boxes.
- Protect all electrostatic parts and assemblies with conductive or approved containers or packaging.
- Keep electrostatic-sensitive parts in their containers until they arrive at static-free stations.
- Place items on a grounded surface before removing them from their container.
- Always be properly grounded when touching a sensitive component or assembly.
- Avoid contact with pins, leads, or circuitry.
- Place reusable electrostatic-sensitive parts from assemblies in protective packaging or conductive foam.

Personal grounding methods and equipment

Using certain equipment can prevent static electricity damage to electronic components.

- **Wrist straps** are flexible straps with a maximum of $1\text{ M}\Omega \pm 10\%$ resistance in the ground cords. To provide proper ground, a strap must be worn snug against bare skin. The ground cord must be connected and fit snugly into the banana plug connector on the grounding mat or workstation.
- **Heel straps/Toe straps/Boot straps** can be used at standing workstations and are compatible with most types of shoes or boots. On conductive floors or dissipative floor mats, use them on both feet with a maximum of $1\text{ M}\Omega \pm 10\%$ resistance between the operator and ground.

Table 4-2 Static shielding protection levels

Static shielding protection levels	
Method	Voltage
Antistatic plastic	1,500

Table 4-2 Static shielding protection levels (continued)

Static shielding protection levels	
Carbon-loaded plastic	7,500
Metallized laminate	15,000

Grounding the work area

To prevent static damage at the work area, follow these precautions.

- Cover the work surface with approved static-dissipative material.
- Use a wrist strap connected to a properly grounded work surface and use properly grounded tools and equipment.
- Use static-dissipative mats, foot straps, or air ionizers to give added protection.
- Handle electrostatic sensitive components, parts, and assemblies by the case or PCB laminate. Handle them only at static-free work areas.
- Turn off power and input signals before inserting and removing connectors or test equipment.
- Use fixtures made of static-safe materials when fixtures must directly contact dissipative surfaces.
- Keep the work area free of nonconductive materials, such as ordinary plastic assembly aids and polystyrene foam.
- Use conductive field service tools, such as cutters, screwdrivers, and vacuums.
- Avoid contact with pins, leads, or circuitry.

Recommended materials and equipment

HP recommends certain materials and equipment to prevent static electricity.

- Antistatic tape
- Antistatic smocks, aprons, or sleeve protectors
- Conductive bins and other assembly or soldering aids
- Conductive foam
- Conductive tabletop workstations with ground cord of $1\text{ M}\Omega \pm 10\%$ resistance
- Static-dissipative table or floor mats with hard tie to ground
- Field service kits
- Static awareness labels
- Wrist straps and footwear straps providing $1\text{ M}\Omega \pm 10\%$ resistance
- Material handling packages
- Conductive plastic bags
- Conductive plastic tubes
- Conductive tote boxes
- Opaque shielding bags

- Transparent metallized shielding bags
- Transparent shielding tubes


Packaging and transporting guidelines


Follow these grounding guidelines when packaging and transporting equipment.

- To avoid hand contact, transport products in static-safe tubes, bags, or boxes.
- Protect ESD-sensitive parts and assemblies with conductive or approved containers or packaging.
- Keep ESD-sensitive parts in their containers until the parts arrive at static-free workstations.
- Place items on a grounded surface before removing items from their containers.
- Always be properly grounded when touching a component or assembly.
- Store reusable ESD-sensitive parts from assemblies in protective packaging or nonconductive foam.
- Use transporters and conveyors made of antistatic belts and roller bushings. Be sure that mechanized equipment used for moving materials is wired to ground and that proper materials are selected to avoid static charging. When grounding is not possible, use an ionizer to dissipate electric charges.

5 Removal and replacement procedures for authorized service provider parts


This chapter provides removal and replacement procedures for authorized service provider parts.

 **IMPORTANT:** Components described in this chapter should be accessed only by an authorized service provider. Accessing these parts can damage the computer or void the warranty.

 **NOTE:** Details about your computer, including model, serial number, product key, and length of warranty, are on the service tag at the bottom of your computer.

Component replacement procedures

To remove and replace computer components, use these procedures.

 **NOTE:** HP continually improves and changes product parts. For complete and current information about supported parts for your computer, go to <http://partsurfer.hp.com>, select your country or region, and then follow the on-screen instructions.

You must remove, replace, or loosen as many as 50 screws when you service the parts described in this chapter. Make special note of each screw size and location during removal and replacement.

Preparation for disassembly

To remove and replace computer components, use these procedures.

See [Removal and replacement procedures preliminary requirements on page 23](#) for initial safety procedures.

1. Turn off the computer. If you are unsure whether the computer is off or in Hibernation, turn the computer on, and then shut it down through the operating system.
2. Disconnect the power from the computer by unplugging the power cord from the computer.
3. Disconnect all external devices from the computer.

Bottom cover

To remove the bottom cover, use this procedure and illustration.

Table 5-1 Bottom cover description and part number

Description	Spare part number
Bottom cover, asteroid silver	M31084-001
Bottom cover, dark ash silver	M31085-001

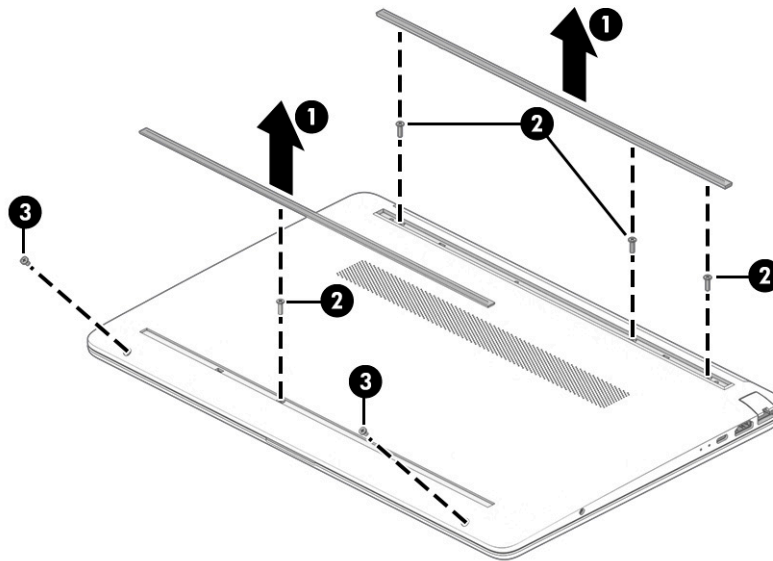
Before removing the bottom cover, prepare the computer for disassembly ([Preparation for disassembly on page 28](#)).

Remove the bottom cover:

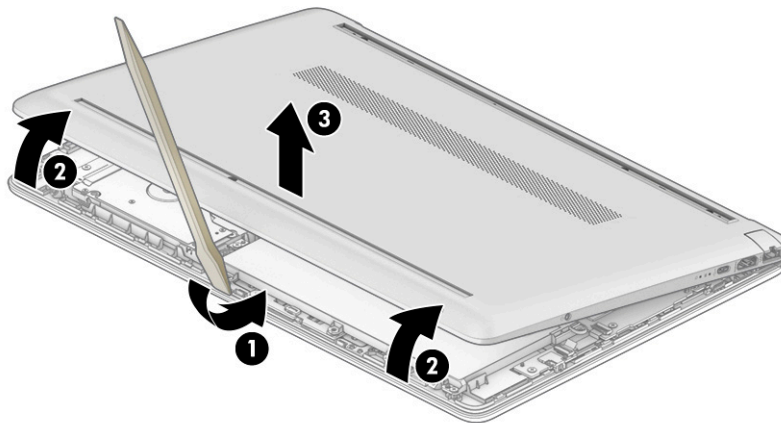
1. Remove the two rubber feet **(1)**.

The rubber feet are available using spare part number L52041-001 for natural silver models and L94457-001 for dark ash silver models.

2. Remove the four Phillips M2.5 × 8.0 screws **(2)** from under the feet and the two Phillips M2.0 × 4.0 screws **(3)** along the bottom edge of the bottom cover.



3. Use a plastic tool **(1)** to release the bottom cover from the computer **(2)**.
4. Remove the bottom cover from the computer **(3)**.



To replace the bottom cover, reverse the removal procedures.

Battery

To remove the battery, use this procedure and illustration.

Table 5-2 Battery description and part number

Description	Spare part number
3 cell, 41 Whr, Li-ion battery	L11119-855

⚠ WARNING! To avoid personal injury and damage to the product:

- Do *not* puncture, twist, or crack the battery.
 - Do *not* cause an external puncture or rupture to the battery. They can cause a short inside the battery, which can result in battery thermal runaway.
 - Do *not* handle or touch the battery enclosure with sharp objects such as tweezers or pliers, which might puncture the battery.
 - Do *not* compress or squeeze the battery case with tools or heavy objects stacked on top of the case. These actions can apply undue force on the battery.
 - Do *not* touch the connectors with any metallic surface or object, such as metal tools, screws, or coins, which can cause shorting across the connectors.
-

Before removing the battery, follow these steps:

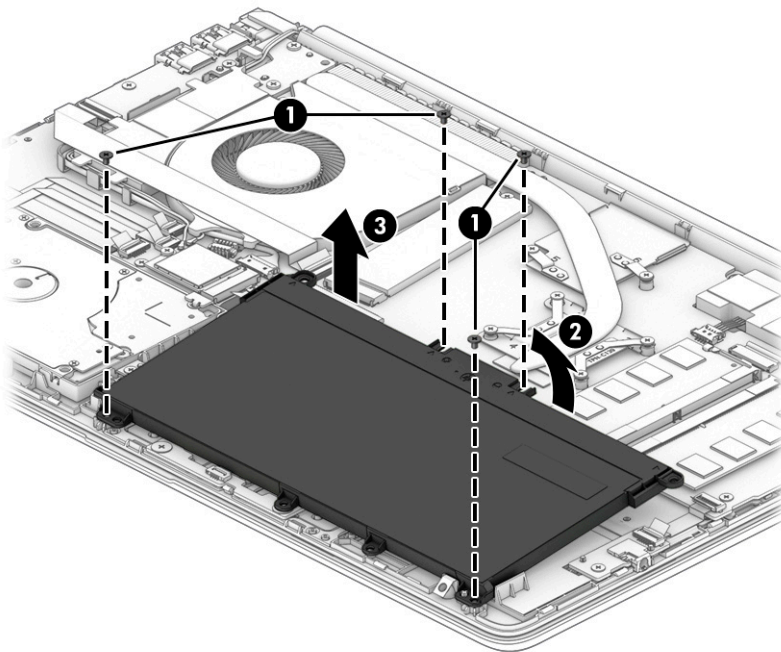
1. Prepare the computer for disassembly ([Preparation for disassembly on page 28](#)).
 2. Remove the bottom cover ([Bottom cover on page 28](#)).
-

⚠ WARNING! To reduce potential safety issues, use only the user-replaceable battery provided with the computer, a replacement battery provided by HP, or a compatible battery purchased from HP.

📌 IMPORTANT: Removing a battery that is the sole power source for the computer can cause loss of information. To prevent loss of information, save your work or shut down the computer through Windows before you remove the battery.

Remove the battery:

1. Remove the four Phillips M2.0 × 2.8 screws **(1)** that secure the battery to the computer.
2. Rotate the top of the battery upward **(2)**, and then remove it from the computer **(3)**.



To replace the battery, reverse the removal procedures.

Hard drive

To remove the hard drive, use these procedures and illustrations.

Table 5-3 Hard drive, hard drive bracket and hard drive cable descriptions and part numbers

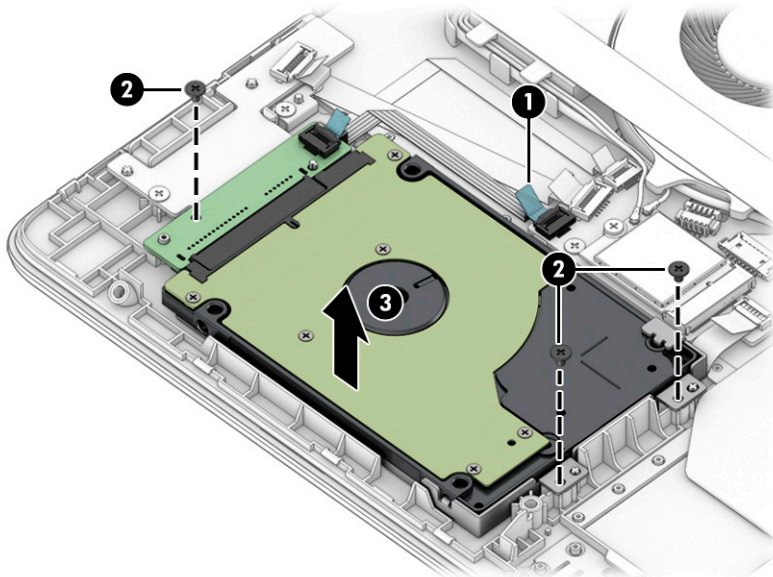
Description	Spare part number
2 TB, 5400 rpm	912487-855
1 TB, 5400 rpm	L30422-005
500 GB, 7200 rpm	703267-005
500 GB, 5400 rpm	778186-005
Hard drive board	L52024-001
Hard drive cable	L52025-001

Before removing the hard drive, follow these steps:

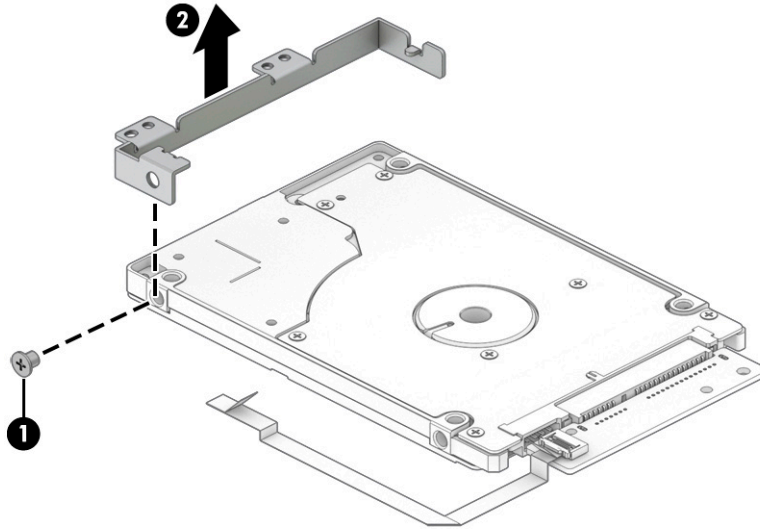
1. Prepare the computer for disassembly ([Preparation for disassembly on page 28](#)).
2. Remove the bottom cover ([Bottom cover on page 28](#)).
3. Remove the battery (see [Battery on page 29](#)).

Remove the hard drive:

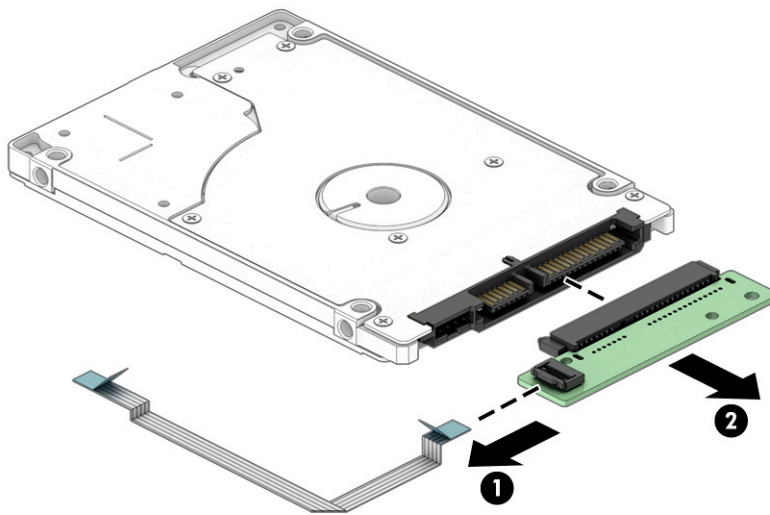
1. Disconnect the hard drive cable from the ZIF connector on the system board **(1)**.
2. Remove the three Phillips M2.0 × 2.8 screws **(2)** that secure the hard drive and hard drive board to the computer.
3. Remove the hard drive from the computer **(3)**.



4. If it is necessary to remove the bracket from the hard drive, remove the Phillips M3.0 × 3.0 screw **(1)**, and then remove the bracket from the drive **(2)**.



5. If it is necessary to remove the board from the hard drive, disconnect the hard drive cable from the ZIF connector on the hard drive board **(1)**, and then pull the board off the drive **(2)**.



Reverse this procedure to reassemble the hard drive.

WLAN module

To remove the WLAN module, use this procedure and illustration.

Table 5-4 WLAN module descriptions and part numbers

Description	Spare part number
Realtek RTL8821CE 802.11ac 1 × 1 Wi-Fi + Bluetooth 4.2	L17365-005
Realtek RTL8821CE-M 802.11ac 1 × 1 Wi-Fi + Bluetooth 4.2	M09870-005
Intel Wi-Fi 6 AX201 (NGW) 802.11ax 2 × 2 Wi-Fi + Bluetooth 5 (non-vPro)	L57250-005

Table 5-4 WLAN module descriptions and part numbers (continued)

Description	Spare part number
Intel Wi-Fi 6 AX201 (NGW-W) 802.11ax 2 × 2 Wi-Fi + Bluetooth 5 (non-vPro)	L92724-005
Realtek RTL8822CE 802.11ac 2 × 2 Wi-Fi + Bluetooth 5	L44796-005

IMPORTANT: To prevent an unresponsive system, replace the wireless module only with a wireless module authorized for use in the computer by the governmental agency that regulates wireless devices in your country or region. If you replace the module and then receive a warning message, remove the module to restore device functionality, and then contact technical support.

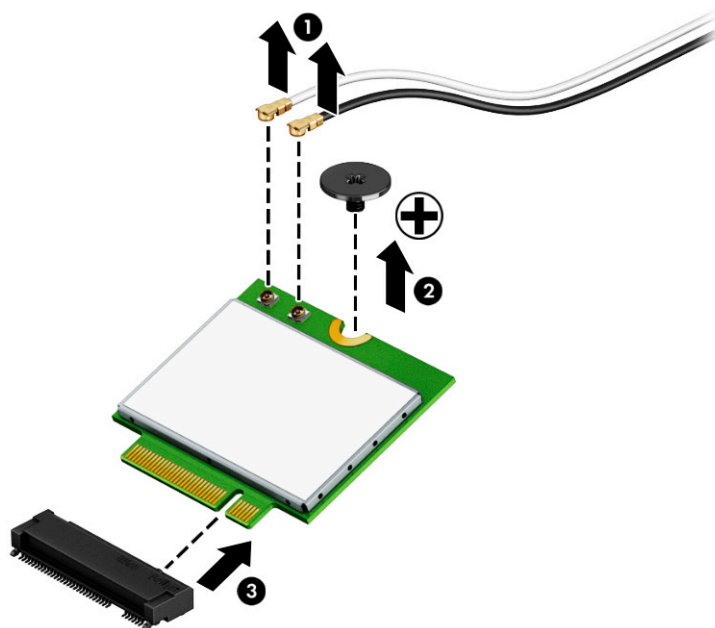
Before removing the WLAN module, follow these steps:

1. Prepare the computer for disassembly ([Preparation for disassembly on page 28](#)).
2. Remove the bottom cover ([Bottom cover on page 28](#)).
3. Remove the battery (see [Battery on page 29](#)).

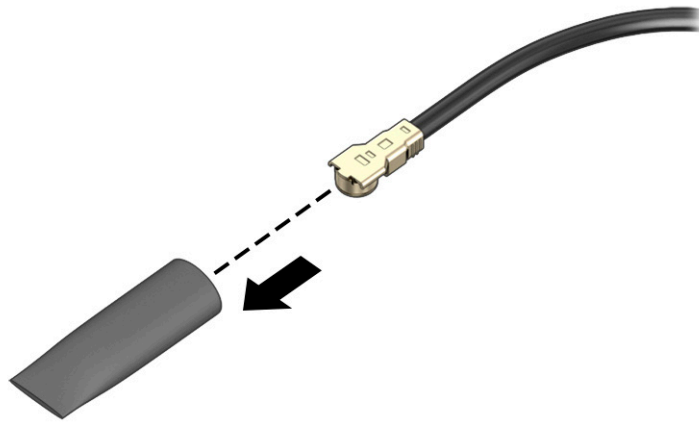
Remove the WLAN module:

1. Carefully disconnect the two antenna cables from the module **(1)**.
2. Remove the Phillips M2.0 × 2.5 screw **(2)**, and then remove the WLAN module **(3)**.

NOTE: Models have either one or two WLAN antennas. On models with two antennas, the #1 white WLAN antenna cable connects to the WLAN module #1 Main terminal. The #2 black WLAN antenna cable connects to the WLAN module #1 Aux terminal.



3. If the WLAN antenna is not connected to the terminal on the WLAN module, a protective sleeve must be installed on the antenna connector, as shown in the following illustration.



Reverse this procedure to install the WLAN module.

Solid-state drive

To remove the M.2 solid-state drive, use this procedure and illustration.

Table 5-5 Solid-state drive descriptions and part numbers

Description	Spare part number
1 TB, PCIe	L85370-005
512 GB, PCIe, TLC	L85360-005
512 GB, PCI + 32 GB Optane memory	L85366-005
256 GB, PCIe	L85354-005
256 GB, PCI + 16 GB Optane memory	L85356-005
16 GB Optane memory module	L85372-005
256 GB, SATA-3, TLC	938184-855
128 GB, SATA-3, TLC	L85346-005

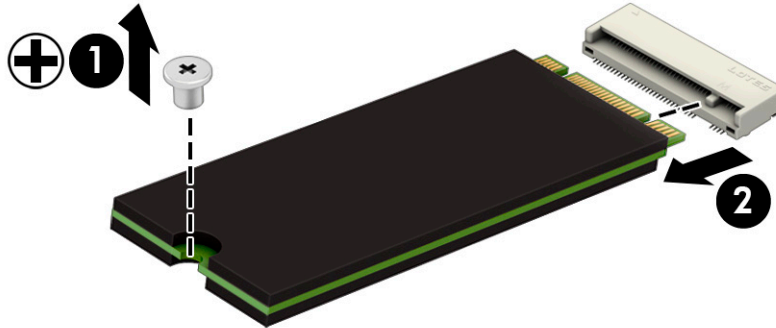
Before removing the solid-state drive, follow these steps:

1. Prepare the computer for disassembly ([Preparation for disassembly on page 28](#)).
2. Remove the bottom cover ([Bottom cover on page 28](#)).
3. Remove the battery (see [Battery on page 29](#)).


Remove the solid-state drive:

1. Remove the Phillips M2.0 × 2.5 screw **(1)** that secures the drive to the computer.

2. Pull the drive away from the socket to remove it (2).



To install the solid-state drive, reverse the removal procedures.

 **NOTE:** Solid-state drives are designed with a notch to prevent incorrect insertion.

Memory modules

To remove the memory modules, use this procedure and illustration.

Table 5-6 Memory module descriptions and part numbers


Description	Spare part number
Memory module, 8 GB	937236-855
Memory module, 4 GB	L10598-855

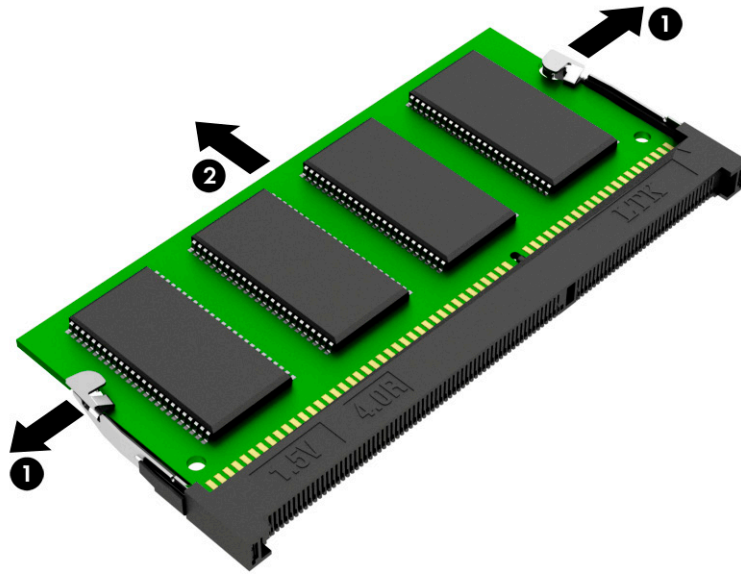
Before removing the memory, follow these steps:

1. Prepare the computer for disassembly ([Preparation for disassembly on page 28](#)).
2. Remove the bottom cover ([Bottom cover on page 28](#)).
3. Remove the battery (see [Battery on page 29](#)).

If you are replacing a memory module, remove the existing memory module:

- ▲ Spread the two retention clips outward (1) until the memory module tilts up at a 45° angle, and then remove the module (2). Use the same procedure to remove all memory modules.

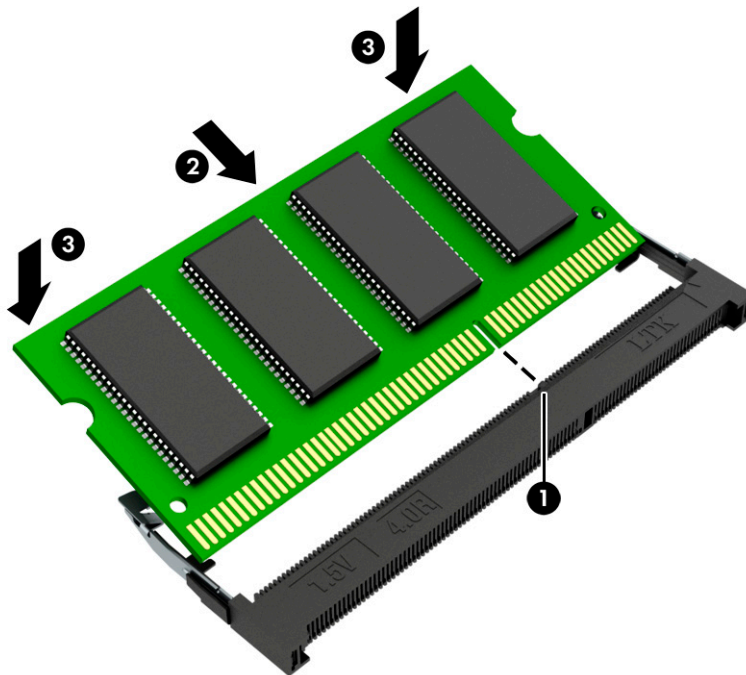
 **IMPORTANT:** To prevent damage to the memory module, hold the memory module by the edges only. Do not touch the components on the memory module.



To protect a memory module after removal, place it in an electrostatic-safe container.

To install a memory module:

1. Align the notched edge of the module with the tab in the slot **(1)**, and then press the module into the slot at an angle until it is seated **(2)**.
2. Press down on the module until the side retention clips snap into place **(3)**.



Solid-state drive board

To remove the solid-state drive board, use this procedure and illustration.

Table 5-7 Solid-state drive board description and part number

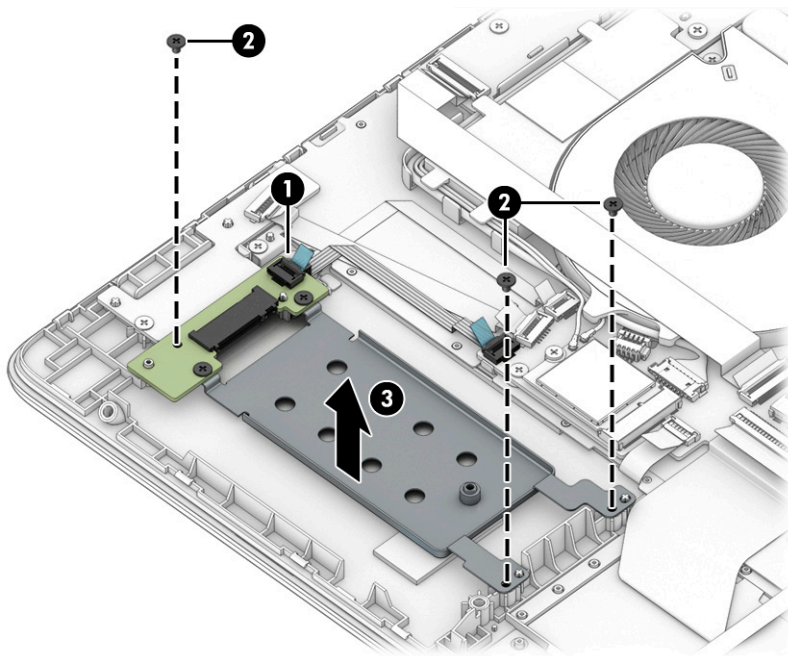
Description	Spare part number
Solid-state drive board	L52026-001
Solid-state drive board cable	L52025-001

Before removing the solid-state drive board, follow these steps:

1. Prepare the computer for disassembly ([Preparation for disassembly on page 28](#)).
2. Remove the bottom cover ([Bottom cover on page 28](#)).
3. Remove the battery (see [Battery on page 29](#)).
4. Remove the solid-state drive (see [Solid-state drive on page 34](#)).

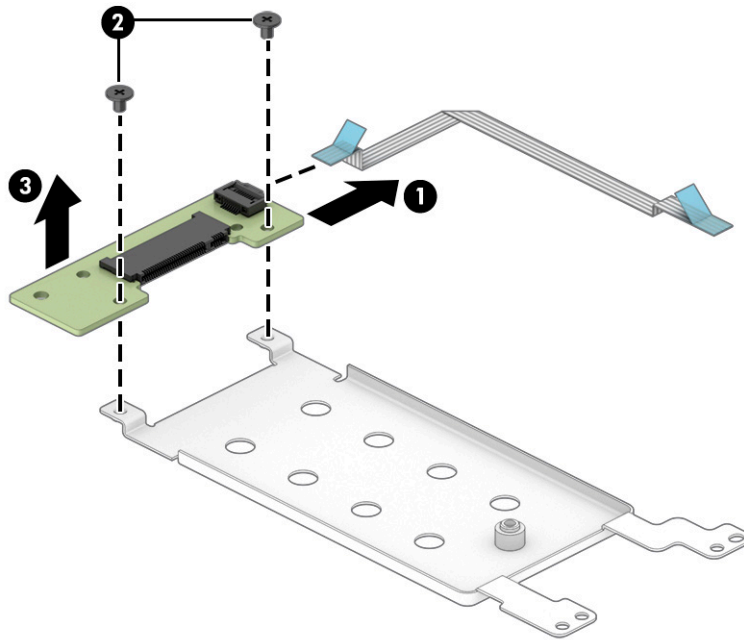
Remove the solid-state drive board:

1. Disconnect the cable from the ZIF connector on the solid-state drive board **(1)**.
2. Remove the three Phillips M2.0 × 2.8 screws **(2)** that secure the board to the computer.
3. Remove the board from the computer **(3)**.



4. To remove the board from the bracket, disconnect the cable from the ZIF connector on the solid-state drive board **(1)**.
5. Remove the two Phillips M2.0 × 2.8 screws **(2)** that secure the board to the bracket.

6. Remove the board from the bracket **(3)**.



Reverse this procedure to install the solid-state drive board.

Card reader board

To remove the card reader board, use this procedure and illustration.

Table 5-8 Card reader board description and part number

Description	Spare part number
Card reader board	L52030-001
Card reader board cable	L52027-001

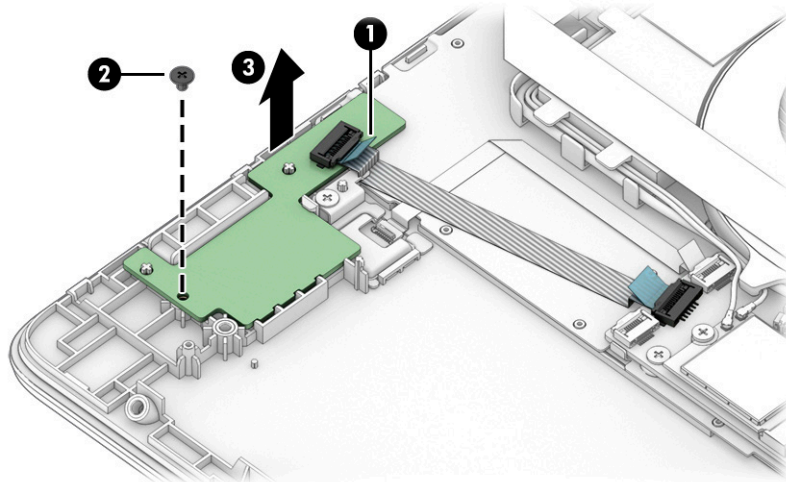
Before removing the card reader board, follow these steps:

1. Prepare the computer for disassembly ([Preparation for disassembly on page 28](#)).
2. Remove the bottom cover ([Bottom cover on page 28](#)).
3. Remove the battery (see [Battery on page 29](#)).

Remove the card reader board:

1. Disconnect the cable from the ZIF connector on the card reader board **(1)**.
2. Remove the Phillips M2.0 × 2.8 screw **(2)** that secures the board to the computer.

3. Remove the board from the computer **(3)**.



Reverse this procedure to install the card reader board.

USB board

To remove the USB board, use this procedure and illustration.

Table 5-9 USB board description and part number

Description	Spare part number
USB board	L52031-001
USB board cable	L52039-001

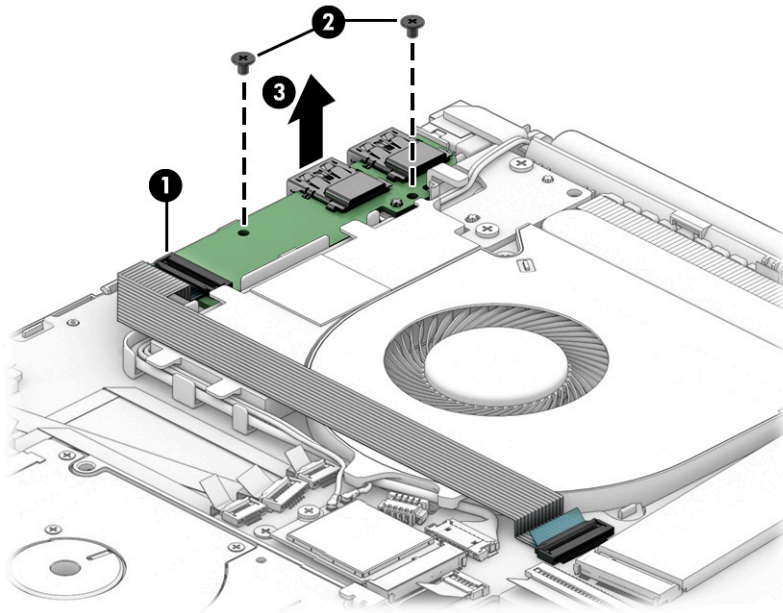
Before removing the USB board, follow these steps:

1. Prepare the computer for disassembly ([Preparation for disassembly on page 28](#)).
2. Remove the bottom cover ([Bottom cover on page 28](#)).
3. Remove the battery (see [Battery on page 29](#)).

Remove the USB board:

1. Disconnect the cable from the ZIF connector on the USB board **(1)**.
2. Remove the two Phillips M2.0 × 2.8 screws **(2)** that secure the board to the computer.

3. Remove the board from the computer **(3)**.



Reverse this procedure to install the USB board.

Audio board

To remove the audio board, use this procedure and illustration.

Table 5-10 Audio board description and part number

Description	Spare part number
Audio board	L52028-001
Audio board cable	L52035-001

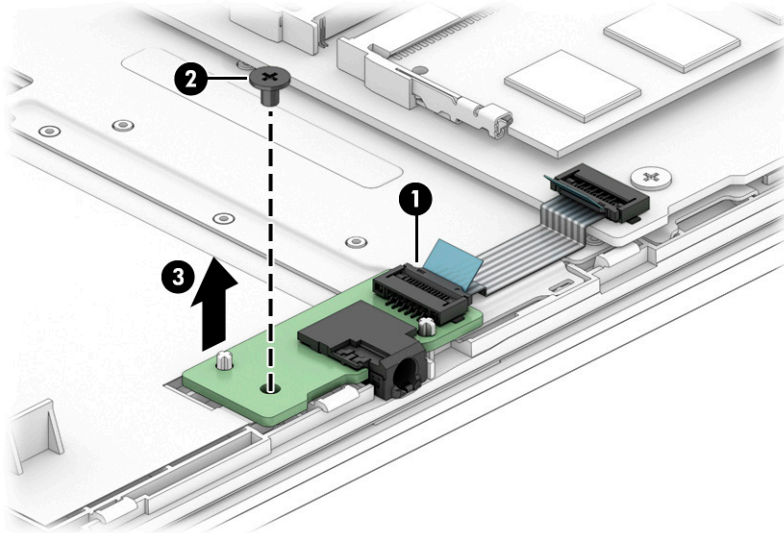
Before removing the audio board, follow these steps:

1. Prepare the computer for disassembly ([Preparation for disassembly on page 28](#)).
2. Remove the bottom cover ([Bottom cover on page 28](#)).
3. Remove the battery (see [Battery on page 29](#)).

Remove the audio board:

1. Disconnect the cable from the ZIF connector on the audio board **(1)**.
2. Remove the Phillips M2.0 × 2.8 screw **(2)** that secures the board to the computer.

3. Remove the board from the computer (3).



Reverse this procedure to install the audio board.

Touchpad button board

To remove the touchpad, use this procedure and illustration.

Table 5-11 Touchpad button board description and part number

Description	Spare part number
Touchpad button board	L52029-001
Touchpad button board cable	L52037-001
Touchpad cable	L52038-001

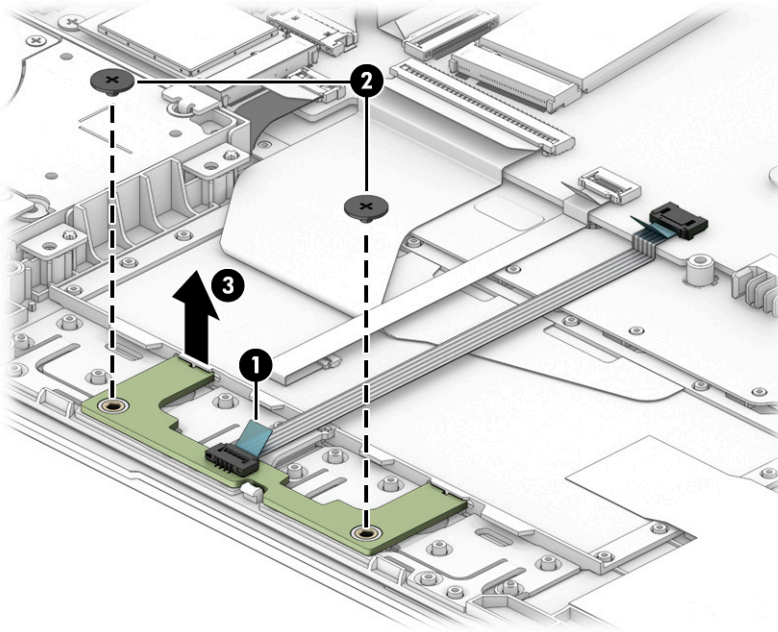
Before removing the touchpad button board, follow these steps:

1. Prepare the computer for disassembly ([Preparation for disassembly on page 28](#)).
2. Remove the bottom cover ([Bottom cover on page 28](#)).
3. Remove the battery (see [Battery on page 29](#)).

Remove the touchpad button board:

1. Disconnect the cable from the ZIF connector on the touchpad button board (1).
2. Remove the two Phillips M2.0 × 2.8 screws (2) that secure the board to the computer.

3. Remove the board from the computer **(3)**.



Reverse this procedure to install the touchpad button board.

Fingerprint reader

To remove the fingerprint reader, use this procedure and illustration.

Table 5-12 Fingerprint reader description and part number

Description	Spare part number
Fingerprint reader	M31086-001
Fingerprint reader cable	L52036-001

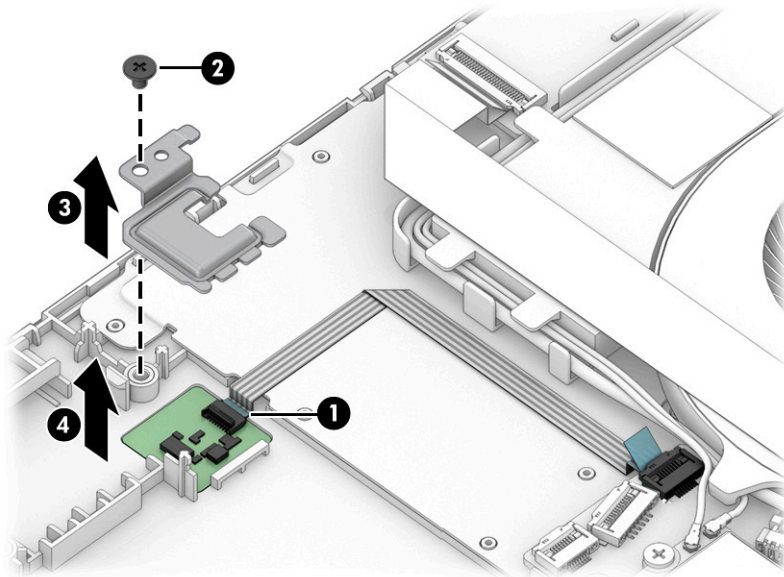
Before removing the fingerprint reader, follow these steps:

1. Prepare the computer for disassembly ([Preparation for disassembly on page 28](#)).
2. Remove the bottom cover ([Bottom cover on page 28](#)).
3. Remove the battery (see [Battery on page 29](#)).

Remove the fingerprint reader:

1. Disconnect the cable from the fingerprint reader board **(1)**.
2. Remove the Phillips M2.0 × 2.8 screw **(2)** that secures the fingerprint reader bracket to the computer.
3. Remove the bracket from on top of the fingerprint reader **(3)**.

4. Remove the fingerprint reader from the computer **(4)**.



Reverse this procedure to install the fingerprint reader.

Fan

To remove the fan, use this procedure and illustration.

Table 5-13 Fan description and part number

Description	Spare part number
Fan	L52034-001

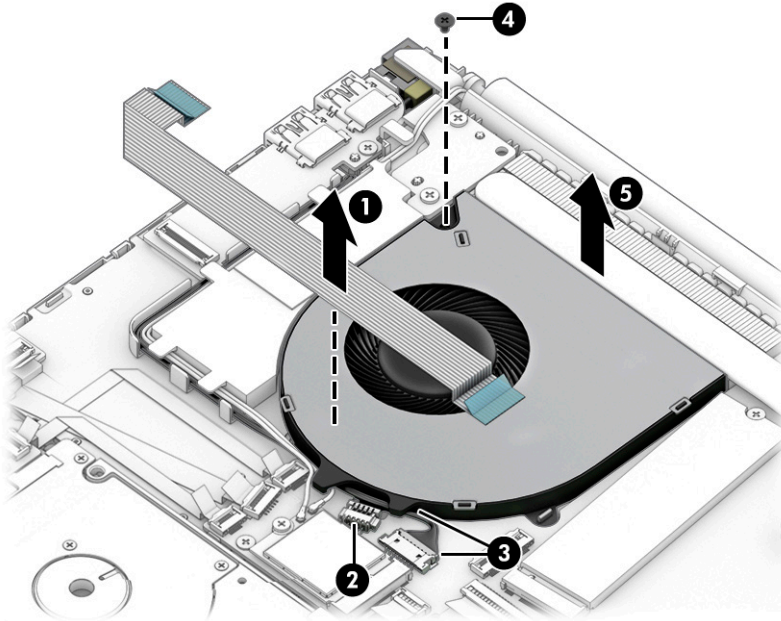
Before removing the fan, follow these steps:

1. Prepare the computer for disassembly ([Preparation for disassembly on page 28](#)).
2. Remove the bottom cover ([Bottom cover on page 28](#)).
3. Remove the battery (see [Battery on page 29](#)).

Remove the fan:

1. Remove the USB board cable from the top of the fan **(1)**.
2. Disconnect the fan cable **(2)** from the system board.
3. Disconnect the power connector (DC-in) cable from the system board and remove the cable from the clips in the fan **(3)**.
4. Remove the Phillips M2.0 x 4.0 screw **(4)** that secures the fan to the computer.

5. Remove the fan from the computer (5).



Reverse this procedure to install the fan.

Heat sink

To remove the heat sink, use these procedures and illustrations.

Table 5-14 Heat sink descriptions and part numbers

Description	Spare part number
Heat sink for use in models with discrete graphics memory	L52032-001
Heat sink for use in models with UMA graphics memory	L52033-001

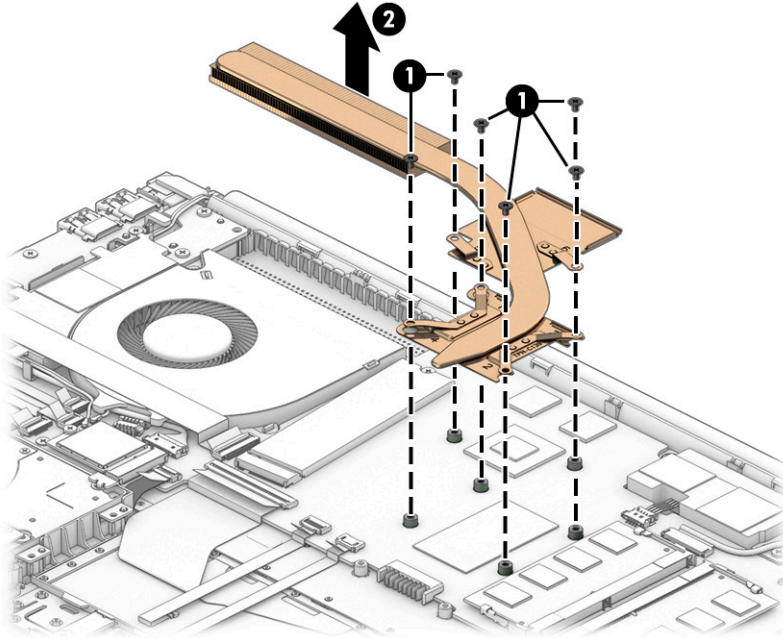
Before removing the heat sink, follow these steps:

1. Prepare the computer for disassembly ([Preparation for disassembly on page 28](#)).
2. Remove the bottom cover ([Bottom cover on page 28](#)).
3. Remove the battery (see [Battery on page 29](#)).

Remove the heat sink:

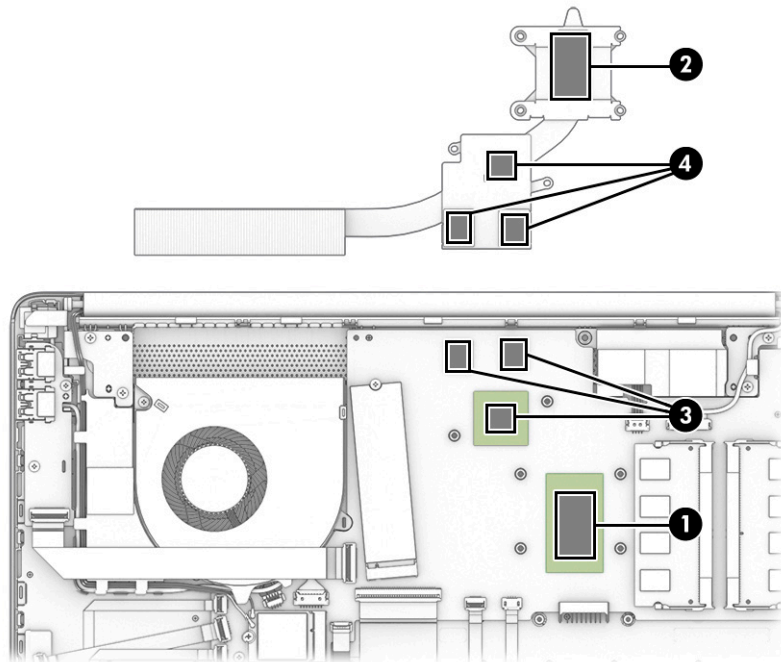
1. **Discrete graphics:** In the order indicated on the heat sink, remove the six Phillips M2.0 × 2.8 screws (1) that secure the heat sink to the system board.

2. Remove the heat sink (2).



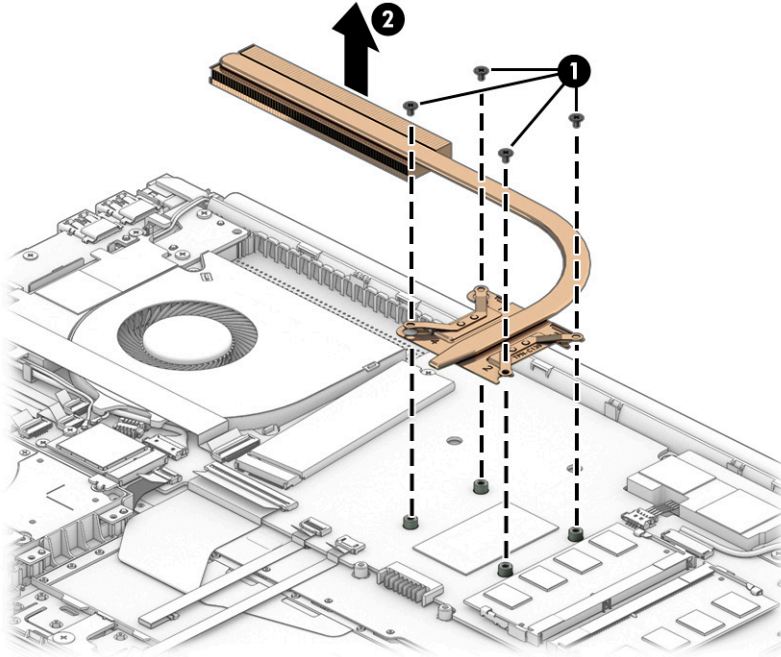
3. Thoroughly clean the thermal material from the surfaces of the heat sink and the system board components each time the heat sink is removed. Replacement thermal material is included with the heat sink and system board spare part kits.

Thermal paste is used on the integrated system board processor (1) and associated location on the heat sink (2). Thermal pads are used on specific system board components (3) and associated locations on the heat sink (4).



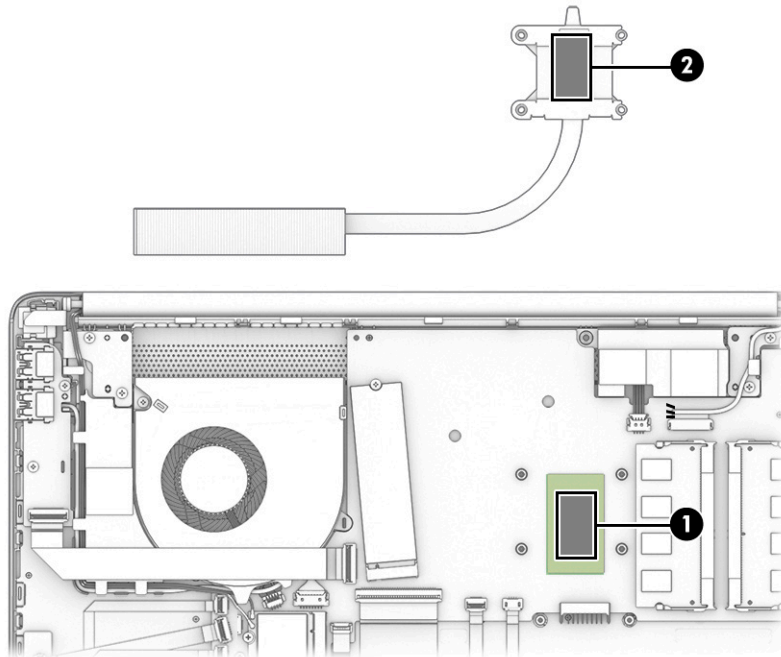
4. **UMA graphics:** In the order indicated on the heat sink, remove the four Phillips M2.0 × 2.8 screws (1) that secure the heat sink to the system board.

5. Remove the heat sink (2).



6. Thoroughly clean the thermal material from the surfaces of the heat sink and the system board components each time the heat sink is removed. Replacement thermal material is included with the heat sink and system board spare part kits.

Thermal paste is used on the integrated system board processor (1) and the heat sink (2).



Reverse this procedure to install the heat sink.

System board

To remove the system board, use these procedures and illustrations.

Table 5-15 System board descriptions and part numbers

Description	Spare part number
System board (includes processor):	
All system boards use the following part numbers:	
xxxxxx-001: Non-Windows operating system	
xxxxxx-601: Windows 10 operating system	
System board for use in models with discrete graphics memory:	
<ul style="list-style-type: none">• Intel Core i7-1165G7 processor and NVIDIA GeForce MX350 graphics	M31112-xx1
<ul style="list-style-type: none">• Intel Core i7-1065G7 processor and NVIDIA GeForce MX330 graphics	M31107-xx1
<ul style="list-style-type: none">• Intel Core i5-1035G1 processor and NVIDIA GeForce MX130 graphics	M31106-xx1
<ul style="list-style-type: none">• Intel Core i3-1005G1 processor and NVIDIA GeForce MX130 graphics	M31105-xx1
System board for use in models with UMA graphics memory:	
<ul style="list-style-type: none">• Intel Core i7-1165G7 processor	M31110-xx1
<ul style="list-style-type: none">• Intel Core i5-1135G7 processor	M31109-xx1
<ul style="list-style-type: none">• Intel Core i3-1115G4 processor	M31108-xx1
<ul style="list-style-type: none">• Intel Core i7-1065G7 processor	M31104-xx1
<ul style="list-style-type: none">• Intel Core i5-1035G1 processor	M31103-xx1
<ul style="list-style-type: none">• Intel Core i3-1005G1 processor	M31102-xx1
<ul style="list-style-type: none">• Intel Pentium Gold 7505 processor	M31111-xx1
<ul style="list-style-type: none">• Intel Pentium Silver N5030 processor	M31113-xx1
<ul style="list-style-type: none">• Intel Celeron N4020 processor	M31114-xx1

Before removing the system board, follow these steps:

1. Prepare the computer for disassembly ([Preparation for disassembly on page 28](#)).
2. Remove the bottom cover ([Bottom cover on page 28](#)).
3. Remove the battery (see [Battery on page 29](#)).
4. Remove the fan (see [Fan on page 43](#)).

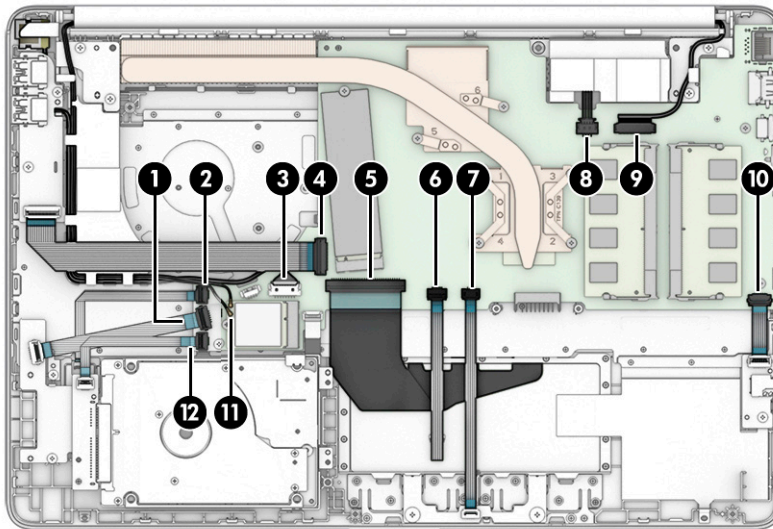
When you replace the system board, be sure to remove the following components (as applicable) from the defective system board and install them on the replacement system board:

- Memory modules (see [Memory modules on page 35](#)).
- WLAN module (see [WLAN module on page 32](#)).
- Solid-state drive (see [Solid-state drive on page 34](#)).
- Heat sink (see [Heat sink on page 44](#)).

Remove the system board:

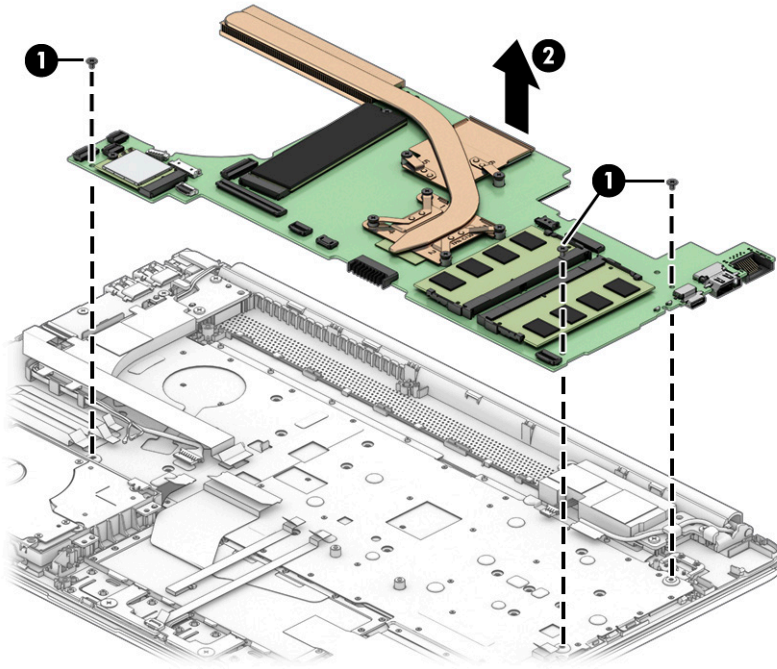
1. Disconnect the following cables from the system board:

- Card reader board cable (ZIF) **(1)**
- Fingerprint reader cable (ZIF) **(2)**
- Power connector (DC-in) board cable **(3)**
- USB board cable (ZIF) **(4)**
- Keyboard cable (ZIF) **(5)**
- Touchpad cable (ZIF) **(6)**
- Touchpad button board cable (ZIF) **(7)**
- Speaker cable **(8)**
- Display cable (ZIF) **(9)**
- Audio board cable (ZIF) **(10)**
- WLAN antennas from the WLAN module **(11)**
- Hard drive board cable (ZIF) **(12)**



2. Remove the three Phillips M2.0 × 2.8 screws **(1)** that secure the system board to the computer.


3. Lift the system board out of the computer **(2)**.



Reverse this procedure to install the system board.

Display assembly

To remove and disassemble the display assembly, use these procedures and illustrations.


 **NOTE:** The display assembly is available as spare parts at the subcomponent level. For display assembly spare part information, see the individual removal subsections.

Before removing the display panel, follow these steps:

1. Prepare the computer for disassembly ([Preparation for disassembly on page 28](#)).
2. Remove the bottom cover ([Bottom cover on page 28](#)).
3. Remove the battery (see [Battery on page 29](#)).

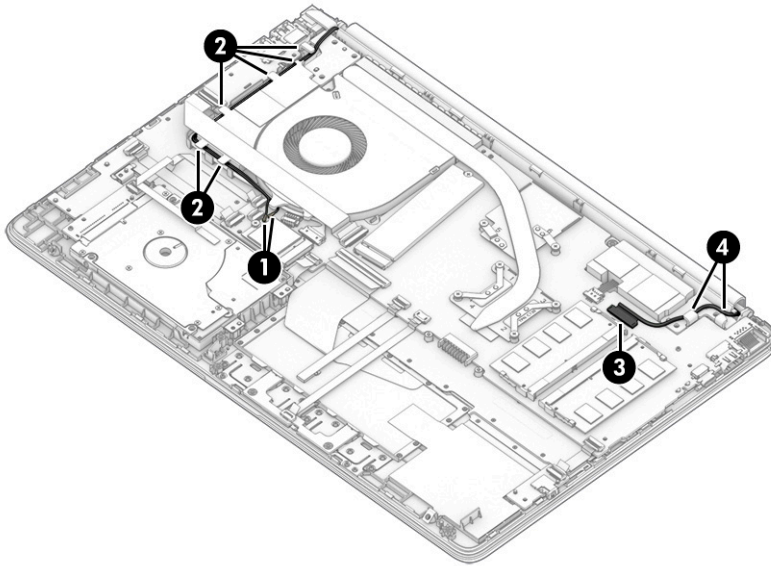
Remove the display assembly:

1. Disconnect the WLAN antenna cables **(1)** from the terminals on the WLAN module.

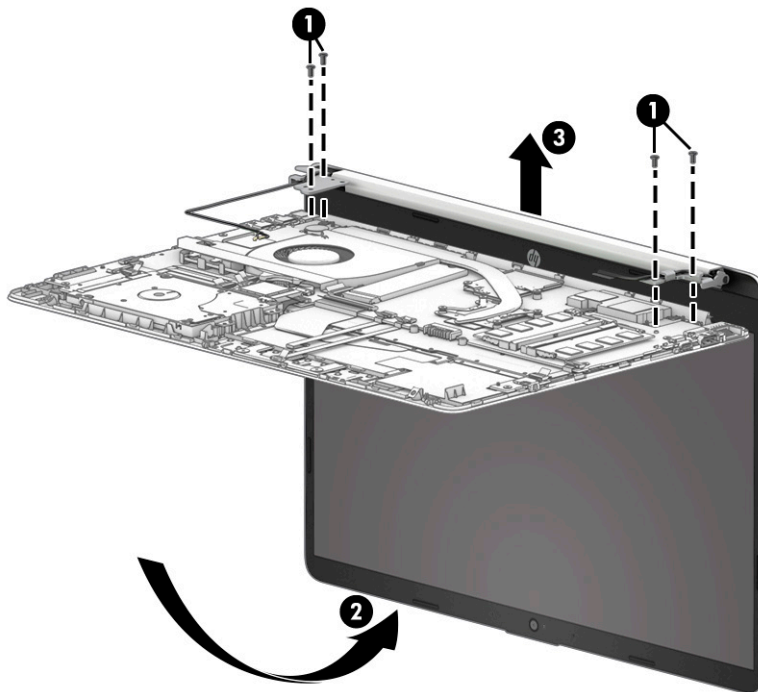
 **NOTE:** The WLAN antenna cable labeled 1/MAIN connects to the WLAN module Main terminal. The WLAN antenna cable labeled 2/AUX connects to the WLAN module Aux terminal.

2. Release the WLAN antenna cables from the retention clips and routing channel built into the right speaker **(2)**.
3. Disconnect the display cable from the system board ZIF connector **(3)**.

4. Release the display panel from the retention clips and routing channel built into the left display hinge (4).



5. Remove the four Phillips M2.5 × 6.0 screws (1) that secure the display assembly to the computer.
6. Open the display to open the hinges (2).
7. Separate the display from the computer (3).

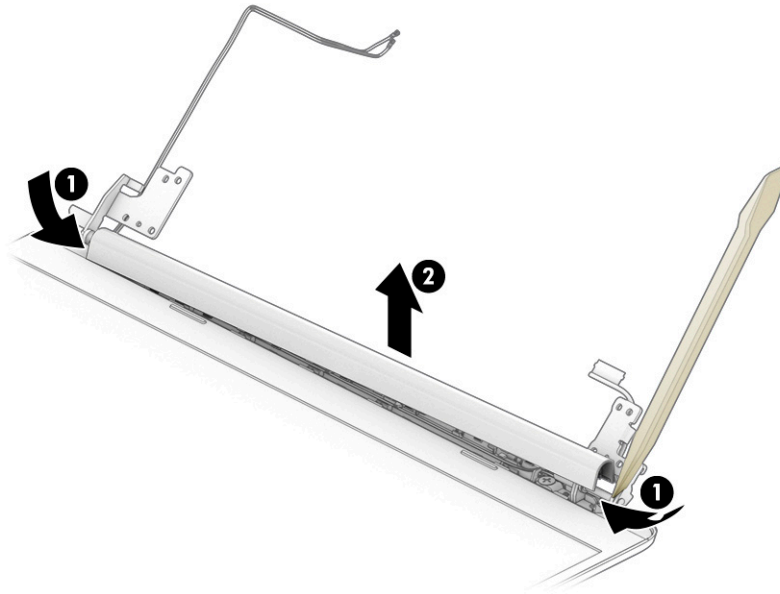


8. If you need to remove the hinge cover, use a plastic tool to lift and disengage the inside of both sides of the cover **(1)**, and then remove the cover from the display **(2)**.

Hinge covers are available as the following spare part numbers:

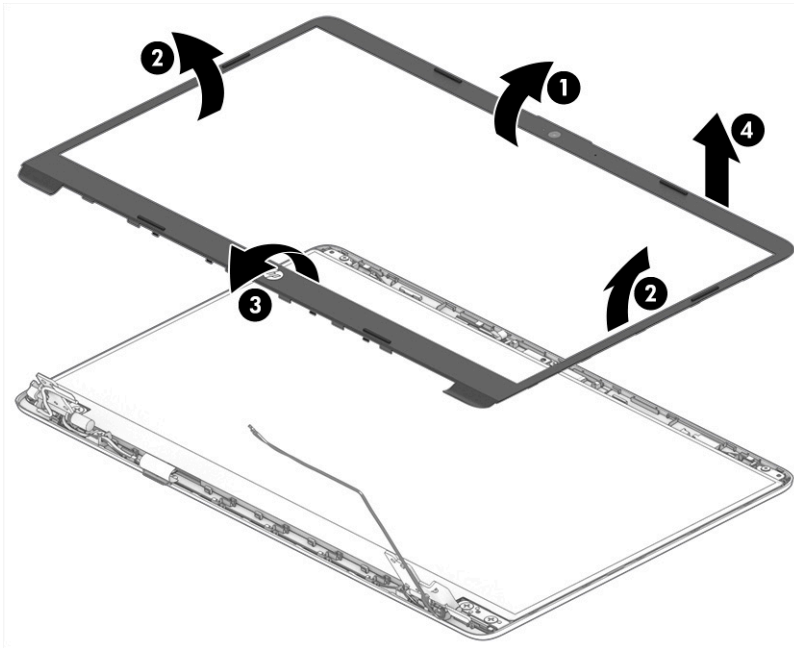
M31088-001: Asteroid silver

M31089-001: Dark ash silver



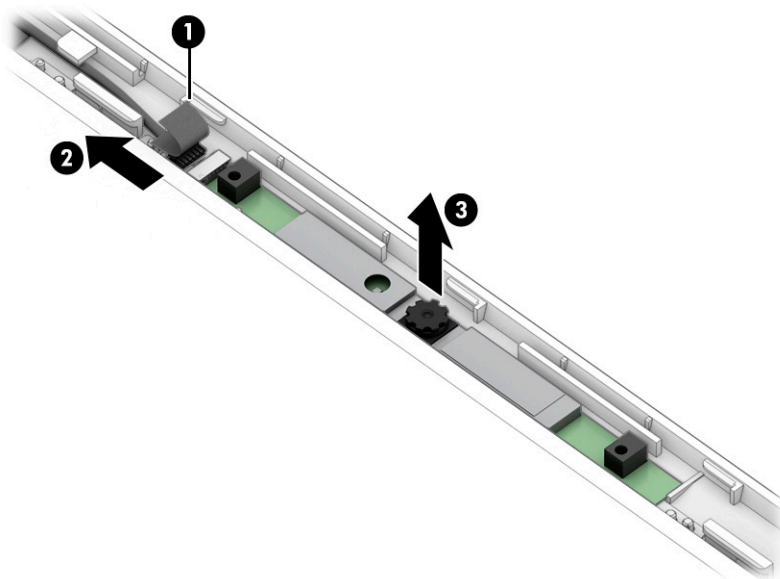
9. If you need to remove the display bezel:
 - a. Release the top edge of the display bezel **(1)** from the display assembly.
 - b. Release the left and right edges of the display bezel **(2)** from the display assembly.
 - c. Release the bottom edge of the display bezel **(3)** from the display assembly.
 - d. Remove the display bezel **(4)** from the display assembly.

The bezel is available as spare part number L52014-001.



10. If you need to remove the camera module:

- a. Lift the tape from on top of the connector on the camera module **(1)**, and then disconnect the cable **(2)** from the module.
- b. Use a tool to detach the camera module **(3)** from the display back cover. (The module is attached with double-sided adhesive.) The camera module is available as spare part number L51996-001 for the HD camera and M03672-0012 for the VGA camera.



11. If you need to remove the display panel:

- a. The display panel is secured to the display enclosure with tape that is installed under the left and right sides of the panel. To remove the panel, use tweezers to grasp the end of the tape **(1)**. While turning the tweezers, wrap the tape around the tweezers **(2)** as you continue to pull the tape out from behind the display panel **(3)**. You must pull the tape multiple times before it is completely removed.

- b. Rotate the display panel over and place it next to the display enclosure **(4)**.

 **NOTE:** You have to pull on the tape multiple times before it is completely removed.

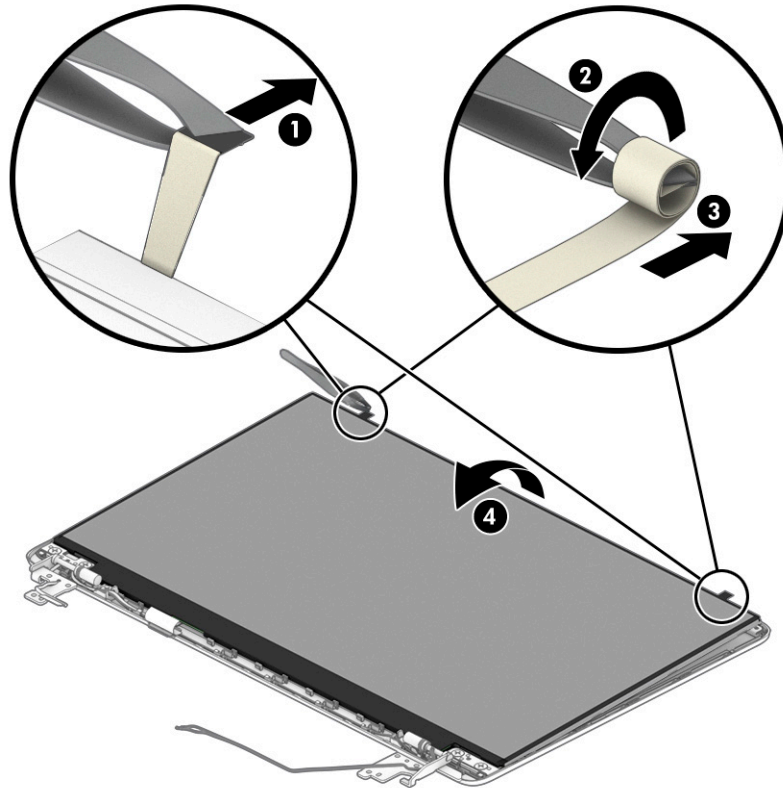
Display adhesive is available as spare part number L52528-001.

Display panels are available as the following spare part numbers:

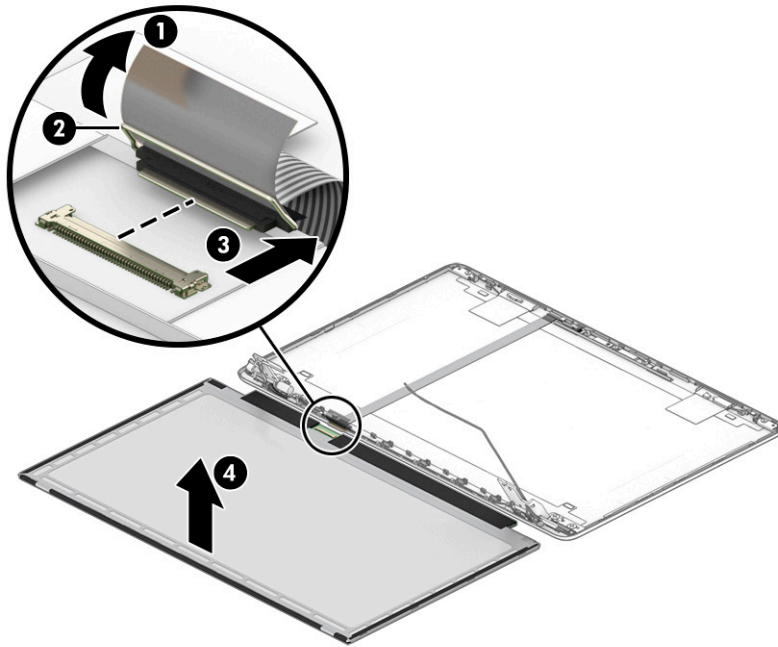
M31115-001: FHD, SVA

M31117-001: FHD, UWVA

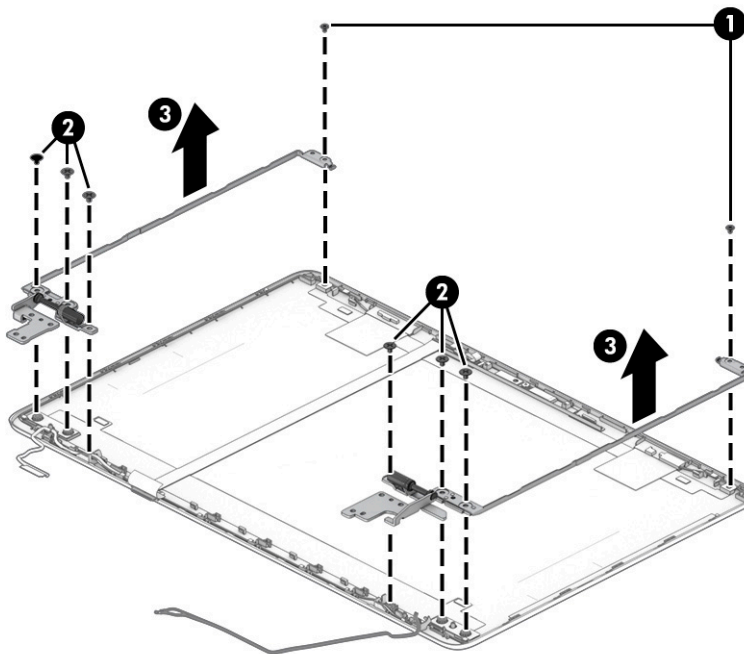
M31116-001: HD, SVA



- c. Release the adhesive support strip **(1)** that secures the display panel cable connector to the display panel.
- d. Disconnect the display panel cable **(2)** from the display panel, and then remove the display panel **(3)**.
- e. Remove the display panel **(4)**.

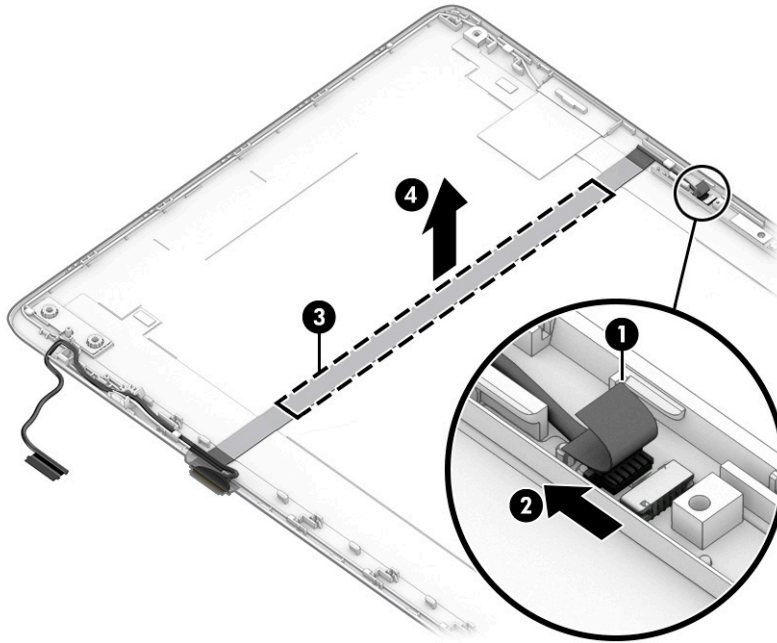


- 12.** If you need to remove the hinges from the display enclosure:
- a.** Remove the Phillips M2.0 × 2.8 screw **(1)** from the top of each hinge.
 - b.** Remove the three Phillips M2.5 × 3.5 screws **(2)** from the bottom of each hinge.
 - c.** Remove the display hinges from the display back cover **(3)**.
- The display hinges are available as spare part number L52009-001.



13. Lift the tape from on top of the connector on the camera module (1), and then disconnect the cable from the module (2). Peel the cable off the inside of the display back cover (3). The cable is secured with adhesive. Remove the display panel cable (4).

Display panel cables are available as spare part number L52015-001.



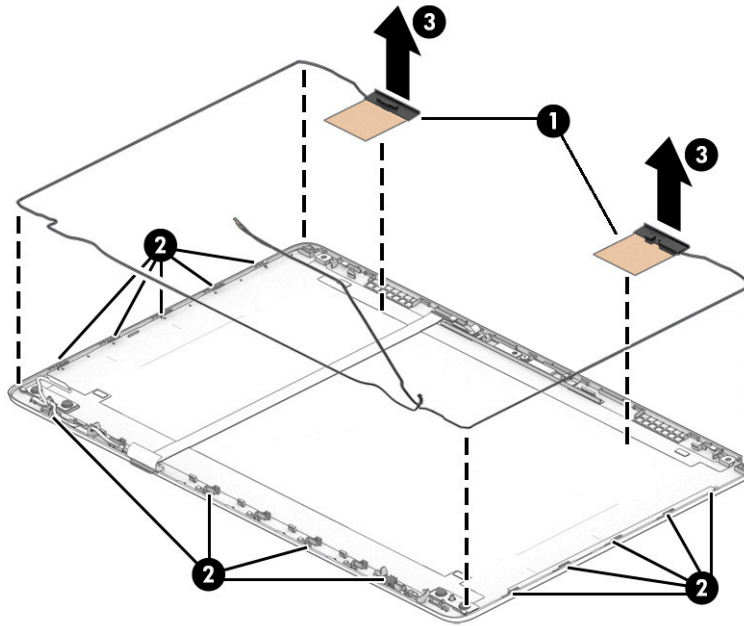
- Detach the wireless antennas **(1)** from the display back cover. The antennas are secured with adhesive. Release the wireless antenna cables from the retention clips **(2)** and routing channels built into the sides of the display back cover. Remove the antennas from the display back cover **(3)**.

The wireless cables and antennas are available as spare part number L52018-001.

Display back covers are available as the following spare part numbers:

M31082-001: Asteroid silver

M31083-001: Dark ash silver



Reverse this procedure to reassemble and replace the display assembly.

Power connector cable

To remove the power connector cable, use this procedure and illustration.

Table 5-16 Power connector cable description and part number

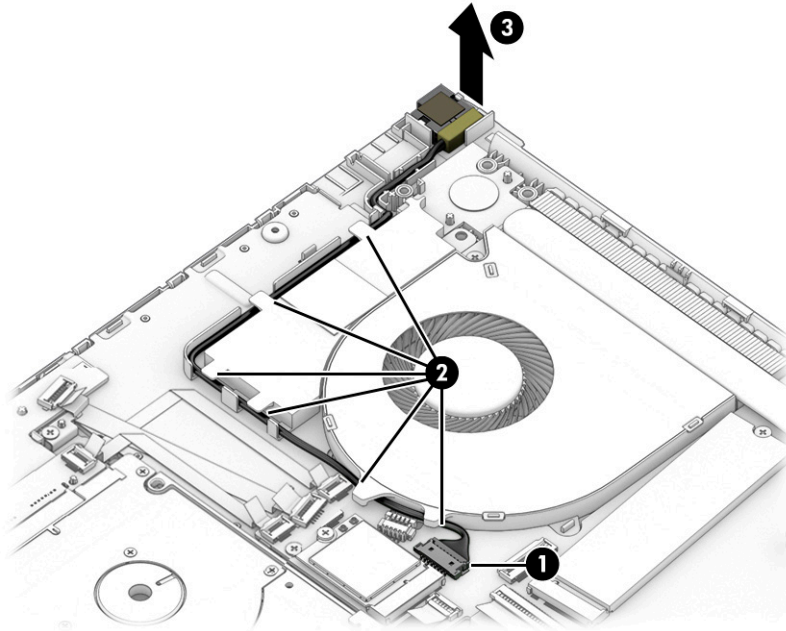
Description	Spare part number
Power connector cable	L51995-001

Before removing the power connector cable, follow these steps:

- Prepare the computer for disassembly ([Preparation for disassembly on page 28](#)).
- Remove the bottom cover ([Bottom cover on page 28](#)).
- Remove the battery (see [Battery on page 29](#)).
- Remove the USB board (see [USB board on page 39](#)).
- Remove the display assembly (see [Display assembly on page 49](#)).

Remove the power connector cable:

1. Disconnect the power connector cable from the system board **(1)**.
2. Release the cable from the retention clips and routing channel built into the fan and speaker **(2)**.
3. Remove the power connector cable from the computer **(3)**.



Reverse this procedure to install the power connector cable.

Speakers

To remove the speakers, use this procedure and illustration.

Table 5-17 Speaker description and part number

Description	Spare part number
Speaker Kit	L52040-001

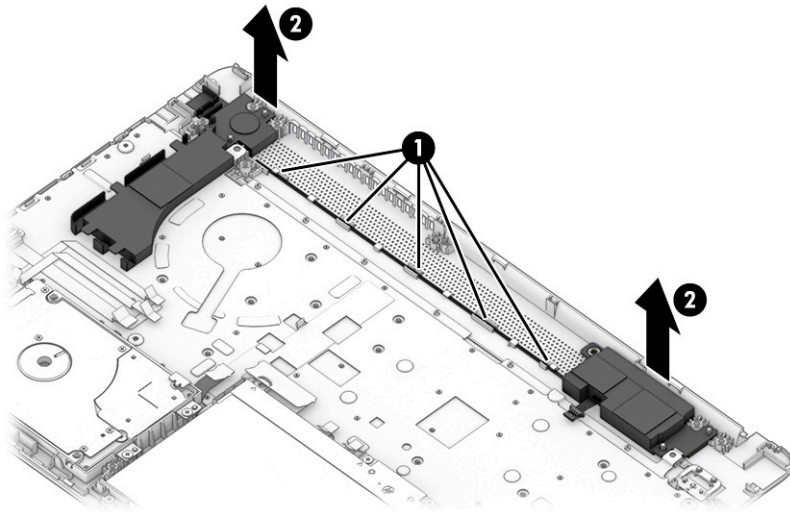
Before removing the speakers, follow these steps:

1. Prepare the computer for disassembly ([Preparation for disassembly on page 28](#)).
2. Remove the bottom cover ([Bottom cover on page 28](#)).
3. Remove the battery (see [Battery on page 29](#)).
4. Remove the display (see [Display assembly on page 49](#)).
5. Remove the power connector cable (see [Power connector cable on page 56](#)).

Remove the speakers:

1. Release the cable from the retention clips and routing channel built into the computer **(1)**.

- Remove the speakers from the computer (2).



Reverse this procedure to install the speakers.

Keyboard with top cover

The top cover with keyboard remains after removing all other spare parts from the computer. In this section, the first table provides the main spare part number for the top cover/keyboards. The second table provides the country codes.

Table 5-18 Keyboard with top cover descriptions and part numbers

Description	Spare part number
Keyboard with top cover, black	L31099-xx1
Keyboard with top cover, silver	M31100-xx1

Table 5-19 Spare part country codes


For use in country or region	Spare part number	For use in country or region	Spare part number	For use in country or region	Spare part number
Belgium	-A41	Iceland	-DD1	Slovenia	-BA1
Brazil	-201	India	-D61	South Korea	-AD1
Bulgaria	-261	Israel	-BB1	Spain	-071
Chile	-161	Italy	-061	Switzerland	-BG1
Czech Republic/Slovakia	-FL1	Japan	-291	Taiwan	-AB1
Denmark, Finland, and Norway	-DH1	The Netherlands	-B31	Thailand	-281
French Canada	-DB1	Northern Africa	-FP1	Turkey	-141
France	-051	Portugal	-131	Ukraine	-BD1
Germany	-041	Romania	-271	United Kingdom	-031

Table 5-19 Spare part country codes (continued)

For use in country or region	Spare part number	For use in country or region	Spare part number	For use in country or region	Spare part number
Greece	-151	Russia	-251	United States	-001
Hungary	-211	Saudi Arabia	-171		

6 Backing up, restoring, and recovering

You can use Windows tools or HP software to back up your information, create a restore point, reset your computer, create recovery media, or restore your computer to its factory state. Performing these standard procedures can return your computer to a working state faster.

 **IMPORTANT:** If you will be performing recovery procedures on a tablet, the tablet battery must be at least 70% charged before you start the recovery process.


IMPORTANT: For a tablet with a detachable keyboard, connect the tablet to the keyboard base before beginning any recovery process.


Backing up information and creating recovery media

These methods of creating recovery media and backups are available on select products only.

Using Windows tools for backing up

HP recommends that you back up your information immediately after initial setup. You can do this task either using Windows Backup locally with an external USB drive or using online tools.

 **IMPORTANT:** Windows is the only option that allows you to back up your personal information. Schedule regular backups to avoid information loss.


 **NOTE:** If computer storage is 32 GB or less, Microsoft® System Restore is disabled by default.


Using the HP Cloud Recovery Download Tool to create recovery media (select products only)

You can use the HP Cloud Recovery Download Tool to create HP Recovery media on a bootable USB flash drive.

For details:

▲ Go to <http://www.hp.com/support>, search for HP Cloud Recovery, and then select the result that matches the type of computer that you have.

 **NOTE:** If you cannot create recovery media yourself, contact support to obtain recovery discs. Go to <http://www.hp.com/support>, select your country or region, and then follow the on-screen instructions.

 **IMPORTANT:** HP recommends that you follow the [Restoring and recovery methods on page 61](#) to restore your computer before you obtain and use the HP recovery discs. Using a recent backup can return your machine to a working state sooner than using the HP recovery discs. After the system is restored, reinstalling all the operating system software released since your initial purchase can be a lengthy process.

Restoring and recovering your system

You have several tools available to recover your system both within and outside of Windows if the desktop cannot load.

HP recommends that you attempt to restore your system using the [Restoring and recovery methods on page 61](#).

Creating a system restore


System Restore is available in Windows. The System Restore software can automatically or manually create restore points, or snapshots, of the system files and settings on the computer at a particular point.

When you use System Restore, it returns your computer to its state at the time you made the restore point. Your personal files and documents should not be affected.

Restoring and recovery methods

After you run the first method, test to see whether the issue still exists before you proceed to the next method, which might now be unnecessary.


1. Run a Microsoft System Restore.
2. Run Reset this PC.

 **NOTE:** The options **Remove everything** and then **Fully clean the drive** can take several hours to complete and leave no information on your computer. It is the safest way to reset your computer before you recycle it.

3. Recover using HP Recovery media. For more information, see [Recovering using HP Recovery media on page 61](#).

For more information about the first two methods, see the Get Help app:


Select the **Start** button, select the **Get Help** app, and then enter the task you want to perform.

 **NOTE:** You must be connected to the internet to access the Get Help app.

Recovering using HP Recovery media


You can use HP Recovery media to recover the original operating system and software programs that were installed at the factory. On select products, it can be created on a bootable USB flash drive using the HP Cloud Recovery Download Tool.

For details, see [Using the HP Cloud Recovery Download Tool to create recovery media \(select products only\) on page 60](#).

 **NOTE:** If you cannot create recovery media yourself, contact support to obtain recovery discs. Go to <http://www.hp.com/support>, select your country or region, and then follow the on-screen instructions.


To recover your system:

- ▲ Insert the HP Recovery media, and then restart the computer.

 **NOTE:** HP recommends that you follow the [Restoring and recovery methods on page 61](#) to restore your computer before you obtain and use the HP recovery discs. Using a recent backup can return your machine to a working state sooner than using the HP recovery discs. After the system is restored, reinstalling all the operating system software released since your initial purchase can be a lengthy process.

Changing the computer boot order

If your computer does not restart using the HP Recovery media, you can change the computer boot order, the order of devices listed in BIOS for startup information. You can select an optical drive or a USB flash drive, depending on the location of your HP Recovery media.

 **IMPORTANT:** For a tablet with a detachable keyboard, connect the tablet to the keyboard base before beginning these steps.

To change the boot order:

1. Insert the HP Recovery media.
2. Access the system **Startup** menu.
 - For computers or tablets with keyboards attached, turn on or restart the computer or tablet, quickly press **esc**, and then press **f9** for boot options.
 - For tablets without keyboards, turn on or restart the tablet, quickly press and hold the volume up button, and then select **f9**.
 - or –
 - Turn on or restart the tablet, quickly press and hold the volume down button, and then select **f9**.
3. Select the optical drive or USB flash drive from which you want to boot, and then follow the on-screen instructions.

Using HP Sure Recover (select products only)

Select computer models are configured with HP Sure Recover, a PC operating system (OS) recovery solution built into the hardware and software. HP Sure Recover can fully restore the HP OS image without installed recovery software.

Using HP Sure Recover, an administrator or user can restore the system and install:

- Latest version of the operating system
- Platform-specific device drivers
- Software applications, in the case of a custom image

To access the latest documentation for HP Sure Recover, go to <http://www.hp.com/support>. Follow the on-screen instructions to find your product and locate your documentation.

7 Computer Setup (BIOS), TPM, and HP Sure Start

HP provides several tools to help set up and protect your computer.

Using Computer Setup

Computer Setup, or Basic Input/Output System (BIOS), controls communication between all the input and output devices on the system (such as hard drives, display, keyboard, mouse, and printer). Computer Setup includes settings for types of devices installed, the startup sequence of the computer, and amount of system and extended memory.

 **NOTE:** Use extreme care when making changes in Computer Setup. Errors can prevent the computer from operating properly.

To start Computer Setup, turn on or restart the computer, and when the HP logo appears, press **f10** to enter Computer Setup.

Navigating and selecting in Computer Setup

You can navigate and select in Computer Setup using one or more methods.

- To select a menu or a menu item, use the **tab** key and the keyboard arrow keys and then press **enter**, or use a pointing device to select the item.
- To scroll up and down, select the up arrow or the down arrow in the upper-right corner of the screen, or use the up arrow key or the down arrow key on the keyboard.
- To close open dialog boxes and return to the main Computer Setup screen, press **esc**, and then follow the on-screen instructions.

To exit Computer Setup, choose one of the following methods:

- To exit Computer Setup menus without saving your changes, select **Main**, select **Ignore Changes and Exit**, and then select **Yes**.

 **NOTE:** If you are using arrow keys to highlight your choice, you must then press **enter**.


- To save your changes and exit Computer Setup menus, select **Main**, select **Save Changes and Exit**, and then select **Yes**.

 **NOTE:** If you are using arrow keys to highlight your choice, you must then press **enter**.

Your changes go into effect when the computer restarts.


Restoring factory settings in Computer Setup

To return all settings in Computer Setup to the values that were set at the factory, follow these steps.


 **NOTE:** Restoring defaults will not change the hard drive mode.

1. Start Computer Setup. See [Using Computer Setup on page 63](#).
2. Select **Main**, select **Apply Factory Defaults and Exit**, and then select **Yes**.

 **NOTE:** If you are using arrow keys to highlight your choice, you must then press [enter](#).

 **NOTE:** On select products, the selections might display **Restore Defaults** instead of **Apply Factory Defaults and Exit**.

Your changes go into effect when the computer restarts.

 **NOTE:** Your password settings and security settings are not changed when you restore the factory settings.

Updating the BIOS

Updated versions of the BIOS might be available on the HP website. Most BIOS updates on the HP website are packaged in compressed files called *SoftPaqs*.

Some download packages contain a file named *Readme.txt*, which contains information regarding installing and troubleshooting the file.

Determining the BIOS version

To decide whether you need to update Computer Setup (BIOS), first determine the BIOS version on your computer.

You can access BIOS version information (also known as *ROM date* and *System BIOS*) by pressing [fn+esc](#) (if you are already in Windows) or by using Computer Setup.


1. Start Computer Setup. See [Using Computer Setup on page 63](#).
2. Select **Main**, and then select **System Information**.
3. To exit Computer Setup menus without saving your changes, select **Main**, select **Ignore Changes and Exit**, and then select **Yes**.

 **NOTE:** If you are using arrow keys to highlight your choice, you must then press [enter](#).

To check for later BIOS versions, see [Preparing for a BIOS update on page 64](#).

Preparing for a BIOS update

Be sure to follow all prerequisites before downloading and installing a BIOS update.

 **IMPORTANT:** To reduce the risk of damage to the computer or an unsuccessful installation, download and install a BIOS update only when the computer is connected to reliable external power using the AC adapter. Do not download or install a BIOS update while the computer is running on battery power, docked in an optional docking device, or connected to an optional power source. During the download and installation, follow these instructions:

Do not disconnect power on the computer by unplugging the power cord from the AC outlet.

Do not shut down the computer or initiate Sleep.


Do not insert, remove, connect, or disconnect any device, cable, or cord.

Downloading a BIOS update

After you review the prerequisites, you can check for and download BIOS updates.

1. Type `support` in the taskbar search box, and then select the HP Support Assistant app.
– or –
Select the question mark icon in the taskbar.
2. Select **Updates**, and then select **Check for updates and messages**.
3. Follow the on-screen instructions.
4. At the download area, follow these steps:
 - a. Identify the most recent BIOS update and compare it to the BIOS version currently installed on your computer. Make a note of the date, name, or other identifier. You might need this information to locate the update later, after it has been downloaded to your hard drive.
 - b. Follow the on-screen instructions to download your selection to the hard drive.

Make a note of the path to the location on your hard drive where the BIOS update is downloaded. You will need to access this path when you are ready to install the update.


 **NOTE:** If you connect your computer to a network, consult the network administrator before installing any software updates, especially system BIOS updates.

Installing a BIOS update

BIOS installation procedures vary. Follow any instructions that are displayed on the screen after the download is complete. If no instructions are displayed, follow these steps.

1. Type `file` in the taskbar search box, and then select **File Explorer**.
2. Select your hard drive designation. The hard drive designation is typically Local Disk (C:).
3. Using the hard drive path you recorded earlier, open the folder that contains the update.
4. Double-click the file that has an `.exe` extension (for example, `filename.exe`).

The BIOS installation begins.
5. Complete the installation by following the on-screen instructions.

 **NOTE:** After a message on the screen reports a successful installation, you can delete the downloaded file from your hard drive.

Changing the boot order using the f9 prompt

To dynamically choose a boot device for the current startup sequence, follow these steps.

1. Access the Boot Device Options menu:
 - Turn on or restart the computer, and when the HP logo appears, press **f9** to enter the Boot Device Options menu.
2. Select a boot device, press `enter`, and then follow the on-screen instructions.

TPM BIOS settings (select products only)

TPM provides additional security for your computer. You can modify the TPM settings in Computer Setup (BIOS).



IMPORTANT: Before enabling Trusted Platform Module (TPM) functionality on this system, you must ensure that your intended use of TPM complies with relevant local laws, regulations and policies, and approvals or licenses must be obtained if applicable. For any compliance issues arising from your operation or usage of TPM that violates the previously mentioned requirement, you shall bear all the liabilities wholly and solely. HP will not be responsible for any related liabilities.



NOTE: If you change the TPM setting to Hidden, TPM is not visible in the operating system.

To access TPM settings in Computer Setup:

1. Start Computer Setup. See [Using Computer Setup on page 63](#).
2. Select **Security**, select **TPM Embedded Security**, and then follow the on-screen instructions.

Using HP Sure Start (select products only)

Select computer models are configured with HP Sure Start, a technology that monitors the computer's BIOS for attacks or corruption. If the BIOS becomes corrupted or is attacked, HP Sure Start automatically restores the BIOS to its previously safe state, without user intervention.

HP Sure Start is configured and already enabled so that most users can use the HP Sure Start default configuration. Advanced users can customize the default configuration.

To access the latest documentation on HP Sure Start, go to <http://www.hp.com/support>. Select **Find your product**, and then follow the on-screen instructions.

8 Using HP PC Hardware Diagnostics

You can use the HP PC Hardware Diagnostics utility to determine whether your computer hardware is running properly. The three versions are HP PC Hardware Diagnostics Windows, HP PC Hardware Diagnostics UEFI (Unified Extensible Firmware Interface), and (for select products only) Remote HP PC Hardware Diagnostics UEFI, a firmware feature.

Using HP PC Hardware Diagnostics Windows (select products only)

HP PC Hardware Diagnostics Windows is a Windows-based utility that allows you to run diagnostic tests to determine whether the computer hardware is functioning properly. The tool runs within the Windows operating system to diagnose hardware failures.

If HP PC Hardware Diagnostics Windows is not installed on your computer, first you must download and install it. To download HP PC Hardware Diagnostics Windows, see [Downloading HP PC Hardware Diagnostics Windows on page 68](#).

Using an HP PC Hardware Diagnostics Windows hardware failure ID code

When HP PC Hardware Diagnostics Windows detects a failure that requires hardware replacement, a 24-digit Failure ID code is generated.

- ▲ Depending on the instructions on the screen, choose one of these options:
 - If failure ID link is displayed, select the link and follow the on-screen instructions.
 - If instructions for calling support are displayed. Follow those instructions.

Accessing HP PC Hardware Diagnostics Windows

After HP PC Hardware Diagnostics Windows is installed, you can access it from HP Help and Support, HP Support Assistant, or the Start menu.

Accessing HP PC Hardware Diagnostics Windows from HP Help and Support (select products only)

After HP PC Hardware Diagnostics Windows is installed, follow these steps to access it from HP Help and Support.

1. Select the **Start** button, and then select **HP Help and Support**.
2. Select **HP PC Hardware Diagnostics Windows**.
3. When the tool opens, select the type of diagnostic test that you want to run, and then follow the on-screen instructions.



NOTE: To stop a diagnostic test, select **Cancel**.

Accessing HP PC Hardware Diagnostics Windows from Support Assistant

After HP PC Hardware Diagnostics Windows is installed, follow these steps to access it from HP Support Assistant.

1. Type `support` in the taskbar search box, and then select the **HP Support Assistant** app.
– or –
Select the question mark icon in the taskbar.
2. Select **Troubleshooting and fixes**.
3. Select **Diagnostics**, and then select **HP PC Hardware Diagnostics Windows**.
4. When the tool opens, select the type of diagnostic test that you want to run, and then follow the on-screen instructions.



NOTE: To stop a diagnostic test, select **Cancel**.

Downloading HP PC Hardware Diagnostics Windows

The HP PC Hardware Diagnostics Windows downloading instructions are provided in English only. You must use a Windows computer to download this tool because only .exe files are provided.

Downloading the latest HP PC Hardware Diagnostics Windows version from HP

To download HP PC Hardware Diagnostics Windows from HP, follow these steps.

1. Go to <http://www.hp.com/go/techcenter/pcdiags>. The HP PC Diagnostics home page is displayed.
2. Select **Download HP Diagnostics Windows**, and then select a location on your computer or a USB flash drive.

The tool downloads to the selected location.

Downloading the HP PC Hardware Diagnostics Windows from the Microsoft Store

You can download the HP PC Hardware Diagnostics Windows from the Microsoft Store.

1. Select the Microsoft Store app on your desktop or enter `Microsoft Store` in the taskbar search box.
2. Enter `HP PC Hardware Diagnostics Windows` in the **Microsoft Store** search box.
3. Follow the on-screen directions.

The tool downloads to the selected location.

Downloading HP Hardware Diagnostics Windows by product name or number (select products only)

You can download HP PC Hardware Diagnostics Windows by product name or number.



NOTE: For some products, you might have to download the software to a USB flash drive by using the product name or number.

1. Go to <http://www.hp.com/support>.
2. Select **Software and Drivers**, select your type of product, and then enter the product name or number in the search box that is displayed.
3. In the **Diagnostics** section, select **Download**, and then follow the on-screen instructions to select the specific Windows diagnostics version to be downloaded to your computer or USB flash drive.


The tool downloads to the selected location.

Installing HP PC Hardware Diagnostics Windows

To install HP PC Hardware Diagnostics Windows, navigate to the folder on your computer or the USB flash drive where the .exe file downloaded, double-click the .exe file, and then follow the on-screen instructions.

Using HP PC Hardware Diagnostics UEFI

HP PC Hardware Diagnostics UEFI (Unified Extensible Firmware Interface) allows you to run diagnostic tests to determine whether the computer hardware is functioning properly. The tool runs outside the operating system so that it can isolate hardware failures from issues that are caused by the operating system or other software components.

 **NOTE:** For Windows 10 S computers, you must use a Windows computer and a USB flash drive to download and create the HP UEFI support environment because only .exe files are provided. For more information, see [Downloading HP PC Hardware Diagnostics UEFI to a USB flash drive on page 70](#).

If your PC does not start in Windows, you can use HP PC Hardware Diagnostics UEFI to diagnose hardware issues.

Using an HP PC Hardware Diagnostics UEFI hardware failure ID code


When HP PC Hardware Diagnostics UEFI detects a failure that requires hardware replacement, a 24-digit Failure ID code is generated.

For assistance in solving the problem:

- ▲ Select **Contact HP**, accept the HP privacy disclaimer, and then use a mobile device to scan the Failure ID code that appears on the next screen. The HP Customer Support - Service Center page appears with your Failure ID and product number automatically filled in. Follow the on-screen instructions.

– or –

Contact support, and provide the Failure ID code.

 **NOTE:** To start diagnostics on a convertible computer, your computer must be in notebook mode, and you must use the attached keyboard.

 **NOTE:** If you need to stop a diagnostic test, press *esc*.

Starting HP PC Hardware Diagnostics UEFI

To start HP PC Hardware Diagnostics UEFI, follow this procedure.

1. Turn on or restart the computer, and quickly press *esc*.
2. Press *f2*.

The BIOS searches three places for the diagnostic tools, in the following order:

- a. Connected USB flash drive


 **NOTE:** To download the HP PC Hardware Diagnostics UEFI tool to a USB flash drive, see [Downloading the latest HP PC Hardware Diagnostics UEFI version on page 70](#).

- b.** Hard drive
 - c.** BIOS
- 3.** When the diagnostic tool opens, select a language, select the type of diagnostic test you want to run, and then follow the on-screen instructions.

Downloading HP PC Hardware Diagnostics UEFI to a USB flash drive

Downloading HP PC Hardware Diagnostics UEFI to a USB flash drive can be useful in some situations.

- HP PC Hardware Diagnostics UEFI is not included in the preinstallation image.
- HP PC Hardware Diagnostics UEFI is not included in the HP Tool partition.
- The hard drive is damaged.

 **NOTE:** The HP PC Hardware Diagnostics UEFI downloading instructions are provided in English only, and you must use a Windows computer to download and create the HP UEFI support environment because only .exe files are provided.

Downloading the latest HP PC Hardware Diagnostics UEFI version

To download the latest HP PC Hardware Diagnostics UEFI version to a USB flash drive, follow this procedure.

- 1.** Go to <http://www.hp.com/go/techcenter/pcdiags>. The HP PC Diagnostics home page is displayed.
- 2.** Select **Download HP Diagnostics UEFI**, and then select **Run**.

Downloading HP PC Hardware Diagnostics UEFI by product name or number (select products only)

You can download HP PC Hardware Diagnostics UEFI by product name or number (select products only) to a USB flash drive.

 **NOTE:** For some products, you might have to download the software to a USB flash drive by using the product name or number.

- 1.** Go to <http://www.hp.com/support>.
- 2.** Enter the product name or number, select your computer, and then select your operating system.
- 3.** In the **Diagnostics** section, follow the on-screen instructions to select and download the specific UEFI Diagnostics version for your computer.

Using Remote HP PC Hardware Diagnostics UEFI settings (select products only)

Remote HP PC Hardware Diagnostics UEFI is a firmware (BIOS) feature that downloads HP PC Hardware Diagnostics UEFI to your computer. It can then execute the diagnostics on your computer, and it might upload results to a preconfigured server.

For more information about Remote HP PC Hardware Diagnostics UEFI, go to <http://www.hp.com/go/techcenter/pcdiags>, and then select **Find out more**.

Downloading Remote HP PC Hardware Diagnostics UEFI

HP Remote PC Hardware Diagnostics UEFI is also available as a SoftPaq that you can download to a server.

Downloading the latest Remote HP PC Hardware Diagnostics UEFI version

You can download the latest HP PC Hardware Diagnostics UEFI version to a USB flash drive.

1. Go to <http://www.hp.com/go/techcenter/pcdiags>. The HP PC Diagnostics home page is displayed.
2. Select **Download Remote Diagnostics**, and then select **Run**.

Downloading Remote HP PC Hardware Diagnostics UEFI by product name or number

You can download HP Remote PC Hardware Diagnostics UEFI by product name or number.

 **NOTE:** For some products, you might have to download the software by using the product name or number.

1. Go to <http://www.hp.com/support>.
2. Select **Software and Drivers**, select your type of product, enter the product name or number in the search box that is displayed, select your computer, and then select your operating system.
3. In the **Diagnostics** section, follow the on-screen instructions to select and download the **Remote UEFI** version for the product.

Customizing Remote HP PC Hardware Diagnostics UEFI settings

Using the Remote HP PC Hardware Diagnostics setting in Computer Setup (BIOS), you can perform several customizations.

- Set a schedule for running diagnostics unattended. You can also start diagnostics immediately in interactive mode by selecting **Execute Remote HP PC Hardware Diagnostics**.
- Set the location for downloading the diagnostic tools. This feature provides access to the tools from the HP website or from a server that has been preconfigured for use. Your computer does not require the traditional local storage (such as a hard drive or USB flash drive) to run remote diagnostics.
- Set a location for storing the test results. You can also set the user name and password that you use for uploads.
- Display status information about the diagnostics run previously.

To customize Remote HP PC Hardware Diagnostics UEFI settings, follow these steps:

1. Turn on or restart the computer, and when the HP logo appears, press **F10** to enter Computer Setup.
2. Select **Advanced**, and then select **Settings**.
3. Make your customization selections.
4. Select **Main**, and then **Save Changes and Exit** to save your settings.

Your changes take effect when the computer restarts.

9 Specifications

This chapter provides specifications for your computer.

Computer specifications

This section provides specifications for your computer. When traveling with your computer, the computer dimensions and weights, as well as input power ratings and operating specifications, provide helpful information.

Table 9-1 Computer specifications

	Metric	U.S.
Dimensions		
Width	358.5 mm	14.1 in
Depth	242 mm	9.5 in
Height (front to back)	19.9 mm	0.8 in
Weight		
	1740 g	3.84 lb
Input power		
Operating voltage and current	19.5 V dc @ 3.33 A – 65 W	
	19.5 V dc @ 2.31 A – 45 W	
Temperature		
Operating	5°C to 35°C	41°F to 95°F
Nonoperating	-20°C to 60°C	-4°F to 140°F
Relative humidity (noncondensing)		
Operating	10% to 90%	
Nonoperating	5% to 95%	
Maximum altitude (unpressurized)		
Operating	-15 m to 3,048 m	-50 ft to 10,000 ft
Nonoperating	-15 m to 12,192 m	-50 ft to 40,000 ft
NOTE: Applicable product safety standards specify thermal limits for plastic surfaces. The device operates well within this range of temperatures.		

39.6 cm (15.6 in) display specifications

This section provides specifications for your display.

Table 9-2 Display specifications

	Metric	U.S.
Active diagonal size	39.6 cm	15.6 in
Resolution	1368 × 766 (HD) 1920 × 1080 (FHD)	
Surface treatment	Antiglare	
Brightness	250 nits	
Viewing angle	SVA (HD panels) UWVA (HD, FHD panels)	
Backlight	WLED	
Display panel interface	eDP	

Solid-state drive specifications

This section provides specifications for your solid-state drives.

Table 9-3 Solid-state drive specifications

	256 GB*	512 GB*	1 TB*
Dimensions			
Height	1.0 mm	1.0 mm	1.0 mm
Length	50.8 mm	50.8 mm	50.8 mm
Width	28.9 mm	28.9 mm	28.9 mm
Weight	< 10 g	< 10 g	< 10 g
Interface type			
Ready time, maximum (to not busy)	1.0 ms	< 1.0 ms	1.0 ms
Access times, logical	0.1 ms	0.1 ms	0.1 ms
Transfer rate			
Sequential read	up to 2150 MB/s	up to 2150 MB/s	up to 2150 MB/s
Random read	Up to 300,000 IOPs	Up to 300,000 IOPs	Up to 300,000 IOPs
Sequential write	up to 1550 MB/s	up to 1550 MB/s	up to 1550 MB/s
Random write	Up to 100,000 IOPs	Up to 100,000 IOPs	Up to 100,000 IOPs
Total logical sectors	468,883,296	1,000,215,216	1,500,336,388
Operating temperature	0°C to 70°C (32°F to 158°F)		

*1 GB = 1 billion bytes when referring to hard drive storage capacity. Actual accessible capacity is less. Actual drive specifications can differ slightly.

NOTE: Certain restrictions and exclusions apply. Contact support for details.

Solid-state drive specifications (SATA-3)

This section provides specifications for your solid-state drive.

Table 9-4 Solid-state drive specifications

	128 GB*
Dimensions	
Height	1.35 mm
Weight	< 10 g
Interface type	
Ready time, maximum (to not busy)	1.0 ms
Access times, logical	0.1 ms
Transfer rate	
	up to 540 MB/s
Total logical sectors	
	234,441,648
Operating temperature	
	0°C to 70°C (32°F to 158°F)
*1 GB = 1 billion bytes when referring to hard drive storage capacity. Actual accessible capacity is less. Actual drive specifications can differ slightly.	
NOTE: Certain restrictions and exclusions apply. Contact support for details.	


10 Statement of memory volatility

For general information regarding nonvolatile memory in HP business computers, and to restore nonvolatile memory that can contain personal data after the system has been turned off and the hard drive has been removed, use these instructions.

HP business computer products that use Intel®-based or AMD®-based system boards contain volatile DDR memory. The amount of nonvolatile memory present in the system depends upon the system configuration. Intel-based and AMD-based system boards contain nonvolatile memory subcomponents as originally shipped from HP, with the following assumptions:

- No subsequent modifications were made to the system.
- No applications, features, or functionality were added to or installed on the system.


Following system shutdown and removal of all power sources from an HP business computer system, personal data can remain on volatile system memory (DIMMs) for a finite period of time and also remains in nonvolatile memory. Use the following steps to remove personal data from the computer, including the nonvolatile memory found in Intel-based and AMD-based system boards.


 **NOTE:** If your tablet has a keyboard base, connect to the keyboard base before beginning steps in this chapter.


Current BIOS steps

Use these instructions to restore nonvolatile memory.

1. Follow these steps to restore the nonvolatile memory that can contain personal data. Restoring or reprogramming nonvolatile memory that does not store personal data is neither necessary nor recommended.
 - a. Turn on or restart the computer, and then quickly press **esc**.

 **NOTE:** If the system has a BIOS administrator password, enter the password at the prompt.
 - b. Select **Main**, select **Apply Factory Defaults and Exit**, and then select **Yes** to load defaults. The computer restarts.
 - c. During the restart, press **esc** while the "Press the ESC key for Startup Menu" message is displayed at the bottom of the screen.

 **NOTE:** If the system has a BIOS administrator password, enter the password at the prompt.
 - d. Select the **Security** menu, select **Restore Security Settings to Factory Defaults**, and then select **Yes** to restore security level defaults. The computer reboots.
 - e. During the reboot, press **esc** while the "Press the ESC key for Startup Menu" message is displayed at the bottom of the screen.

 **NOTE:** If the system has a BIOS administrator password, enter the password at the prompt.
 - f. If an asset or ownership tag is set, select the **Security** menu and scroll down to the **Utilities** menu. Select **System IDs**, and then select **Asset Tracking Number**. Clear the tag, and then make the selection to return to the prior menu.

- g.** If a DriveLock password is set, select the **Security** menu, and scroll down to **Hard Drive Utilities** under the **Utilities** menu. Select **Hard Drive Utilities**, select **DriveLock**, and then clear the check box for **DriveLock password on restart**. Select **OK** to proceed.
- h.** Select the **Main** menu, and then select **Reset BIOS Security to factory default**. Select **Yes** at the warning message. The computer reboots.
- i.** During the reboot, press **esc** while the "Press the ESC key for Startup Menu" message is displayed at the bottom of the screen.



NOTE: If the system has a BIOS administrator password, enter the password at the prompt.

- j.** Select the **Main** menu, select **Apply Factory Defaults and Exit**, select **Yes** to save changes and exit, and then select **Shutdown**.
 - k.** Reboot the system. If the system has a Trusted Platform Module (TPM), fingerprint reader, or both, one or two prompts will appear—one to clear the TPM and the other to Reset Fingerprint Sensor. Press or tap **f1** to accept or **f2** to reject.
 - l.** Remove all power and system batteries for at least 24 hours.
- 2.** Complete one of the following:
- Remove and retain the storage drive.
– or –
 - Clear the drive contents by using a third-party utility designed to erase data from an SSD.
– or –
 - Clear the contents of the drive by using the following BIOS Setup Secure Erase command option steps:

If you clear data using Secure Erase, you cannot recover it.

- a.** Turn on or restart the computer, and then quickly press **esc**.
- b.** Select the **Security** menu and scroll down to the **esc** menu.
- c.** Select **Hard Drive Utilities**.
- d.** Under **Utilities**, select **Secure Erase**, select the hard drive storing the data you want to clear, and then follow the on-screen instructions to continue.

– or –

Clear the contents of the drive using the following Disk Sanitizer commands steps:

- i.** Turn on or restart the computer, and then quickly press **esc**.
- ii.** Select the **Security** menu and scroll down to the **Utilities** menu.
- iii.** Select **Hard Drive Utilities**.
- iv.** Under **Utilities**, select **Disk Sanitizer**, select the hard drive with the data that you want to clear, and then follow the on-screen instructions to continue.



NOTE: The amount of time it takes for Disk Sanitizer to run can take several hours. Plug the computer into an AC outlet before starting.

Nonvolatile memory usage

Use this table to troubleshooting nonvolatile memory usage.

Table 10-1 Troubleshooting steps for nonvolatile memory usage

Nonvolatile memory type	Amount (Size)	Does this memory store customer data?	Does this memory retain data when power is removed?	What is the purpose of this memory?	How is data entered into this memory?	How is this memory write-protected?
HP Sure Start flash (select models only)	8 MB	No	Yes	Provides protected backup of critical System BIOS code, EC firmware, and critical computer configuration data for select platforms that support HP Sure Start. For more information, see Using HP Sure Start (select products only) on page 80 .	Data cannot be written to this device via the host processor. The content is managed solely by the HP Sure Start Embedded Controller.	This memory is protected by the HP Sure Start Embedded Controller.
Real Time Clock (RTC) battery backed-up CMOS configuration memory	256 bytes	No	Yes	Stores system date and time and noncritical data.	RTC battery backed-up CMOS is programmed using Computer Setup (BIOS), or by changing the Windows date & time.	This memory is not write-protected.
Controller (NIC) EEPROM	64 KB (not customer accessible)	No	Yes	Stores NIC configuration and NIC firmware.	NIC EEPROM is programmed using a utility from the NIC vendor that can be run from DOS.	A utility must be used to write data to this memory and is available from the NIC vendor. Writing data to this ROM in an inappropriate manner will render the NIC non-functional.
DIMM Serial Presence Detect (SPD) configuration data	256 bytes per memory module, 128 bytes programmable (not customer accessible)	No	Yes	Stores memory module information.	DIMM SPD is programmed by the memory vendor.	Data cannot be written to this memory when the module is installed in a computer. The specific write-protection method varies by memory vendor.
System BIOS	9 MB	Yes	Yes	Stores system BIOS code and computer configuration data.	System BIOS code is programmed at the factory. Code is updated when the system BIOS is updated. Configuration data and settings are entered using the Computer Setup (BIOS) or a custom utility.	NOTE: Writing data to this ROM in an inappropriate manner can render the computer non-functional. A utility must be used for writing data to this memory and is available

Table 10-1 Troubleshooting steps for nonvolatile memory usage (continued)

Nonvolatile memory type	Amount (Size)	Does this memory store customer data?	Does this memory retain data when power is removed?	What is the purpose of this memory?	How is data entered into this memory?	How is this memory write-protected?
Intel Management Engine Firmware (present only in select Elite or Z models. For more information, go to http://www.hp.com/support . Select Identify your product for manuals and specific product information , and then follow the on-screen instructions.)	1.5 MB or 7 MB	Yes	Yes	Stores Management Engine Code, Settings, Provisioning Data and iAMT third-party data store.	Management Engine Code is programmed at the factory. Code is updated via Intel secure firmware update utility. Unique Provisioning Data can be entered at the factory or by an administrator using the Management Engine (MEBx) setup utility. The third-party data store contents can be populated by a remote management console or local applications that have been registered by an administrator to have access to the space.	on the HP website; go to http://www.hp.com/support . Select Find your product , and then follow the on-screen instructions.
Bluetooth flash (select products only)	2 megabits	No	Yes	Stores Bluetooth configuration and firmware.	Bluetooth flash is programmed at the factory. Tools for writing data to this memory are not publicly available but can be obtained from the silicon vendor.	A utility must be used for writing data to this memory and is made available through newer versions of the driver whenever the flash requires an upgrade.
802.11 WLAN EEPROM	4 kilobits to 8 kilobits	No	Yes	Stores configuration and calibration data.	802.11 WLAN EEPROM is programmed at the factory. Tools for writing data to this memory are not made public.	A utility must be used for writing data to this memory and is typically not made available to the public unless a firmware upgrade is necessary to address a unique issue.
Camera (select products only)	64 kilobits	No	Yes	Stores camera configuration and firmware.	Camera memory is programmed using a utility from the device manufacturer that can be run from Windows.	A utility must be used for writing data to this memory and is typically not made available to the public unless a firmware upgrade is necessary to address a unique issue.
Fingerprint reader (select products only)	512 KB flash	Yes	Yes	Stores fingerprint templates.	Fingerprint reader memory is programmed by user enrollment in HP ProtectTools Security Manager.	Only a digitally signed application can make the call to write to the flash.

Questions and answers

Use this section to answer your questions about nonvolatile memory.

1. How can the BIOS settings be restored (returned to factory settings)?



IMPORTANT: The restore defaults feature does not securely erase any data on your hard drive. See question and answer 6 for steps to securely erase data.

The restore defaults feature does not reset the Custom Secure Boot keys. See question and answer 7 for information about resetting the keys.

- a. Turn on or restart the computer, and then quickly press `esc`.
- b. Select **Main**, and then select **Apply Factory Defaults and Exit**.
- c. Follow the on-screen instructions.
- d. Select **Main**, select **Save Changes and Exit**, and then follow the on-screen instructions.

2. What is a UEFI BIOS, and how is it different from a legacy BIOS?

The Unified Extensible Firmware Interface (UEFI) BIOS is an industry-standard software interface between the platform firmware and an operating system (OS). It replaces the older BIOS architecture but supports much of the legacy BIOS functionality.

Like the legacy BIOS, the UEFI BIOS provides an interface to display the system information and configuration settings and to change the configuration of your computer before an OS is loaded. BIOS provides a secure runtime environment that supports a Graphic User Interface (GUI). In this environment, you can use either a pointing device (touch screen, touchpad, pointing stick, or USB mouse) or the keyboard to navigate and make menu and configuration selections. The UEFI BIOS also contains basic system diagnostics.

The UEFI BIOS provides functionality beyond that of the legacy BIOS. In addition, the UEFI BIOS works to initialize the computer's hardware before loading and executing the OS; the runtime environment allows the loading and execution of software programs from storage devices to provide more functionality, such as advanced hardware diagnostics (with the ability to display more detailed system information) and advanced firmware management and recovery software.

HP has provided options in Computer Setup (BIOS) to allow you to run in legacy BIOS, if required by the operating system. Examples of this requirement would be if you upgrade or downgrade the OS.

3. Where is the UEFI BIOS located?

The UEFI BIOS is located on a flash memory chip. You must use a utility to write to the chip.


4. What kind of configuration data is stored on the DIMM Serial Presence Detect (SPD) memory module? How would this data be written?

The DIMM SPD memory contains information about the memory module, such as size, serial number, data width, speed and timing, voltage, and thermal information. This information is written by the module manufacturer and stored on an EEPROM. You cannot write to this EEPROM when the memory module is installed in a computer. Third-party tools do exist that can write to the EEPROM when the memory module is not installed in a computer. Various third-party tools are available to read SPD memory.

5. What is meant by “Restore the nonvolatile memory found in Intel-based system boards”?

This message relates to clearing the Real Time Clock (RTC) CMOS memory that contains computer configuration data.

6. How can the BIOS security be reset to factory defaults and erase the data?

 **IMPORTANT:** Resetting results in the loss of information.

These steps do not reset Custom Secure Boot Keys. See question and answer 7 for information about resetting the keys.

- a. Turn on or restart the computer, and then quickly press `esc`.
- b. Select **Main**, and then select **Reset Security to Factory Defaults**.
- c. Follow the on-screen instructions.
- d. Select **Main**, select **Save Changes and Exit**, and then follow the on-screen instructions.

7. How can the Custom Secure Boot Keys be reset?

Secure Boot is a feature to ensure that only authenticated code can start on a platform. If you enabled Secure Boot and created Custom Secure Boot Keys, disabling Secure Boot does not clear the keys. You must also select to clear the Custom Secure Boot Keys. Use the same Secure Boot access procedure that you used to create the Custom Secure Boot Keys, but select to clear or delete all Secure Boot Keys.

- a. Turn on or restart the computer, and then quickly press `esc`.
- b. Select the **Security** menu, select **Secure Boot Configuration**, and then follow the on-screen instructions.
- c. At the **Secure Boot Configuration** window, select **Secure Boot**, select **Clear Secure Boot Keys**, and then follow the on-screen instructions to continue.

Using HP Sure Start (select products only)

Select computer models are configured with HP Sure Start, a technology that continuously monitors your computer's BIOS for attacks or corruption.

If the BIOS becomes corrupted or is attacked, HP Sure Start restores the BIOS to its previously safe state, without user intervention. Those select computer models ship with HP Sure Start configured and enabled. HP Sure Start is configured and already enabled so that most users can use the HP Sure Start default configuration. Advanced users can customize the default configuration.

To access the latest documentation on HP Sure Start, go to <http://www.hp.com/support>.

11 Power cord set requirements

This chapter provides power cord requirements for countries and regions.

The wide-range input feature of the computer permits it to operate from any line voltage from 100 V ac to 120 V ac, or from 220 V ac to 240 V ac.

The 3-conductor power cord set included with the computer meets the requirements for use in the country or region where the equipment is purchased.

Power cord sets for use in other countries or regions must meet the requirements of the country and region where the computer is used.

Requirements for all countries

These power cord requirements are applicable to all countries and regions.

- The length of the power cord set must be at least **1.0 m** (3.3 ft) and no more than **2.0 m** (6.5 ft).
- All power cord sets must be approved by an acceptable accredited agency responsible for evaluation in the country or region where the power cord set will be used.
- The power cord sets must have a minimum current capacity of 10 A and a nominal voltage rating of 125 V ac or 250 V ac, as required by the power system of each country or region.
- The appliance coupler must meet the mechanical configuration of an EN 60 320/IEC 320 Standard Sheet C13 connector for mating with the appliance inlet on the back of the computer.

Requirements for specific countries and regions

To determine power cord requirements for specific countries and regions, use this table.

Table 11-1 Power cord requirements for specific countries and regions

Country/region	Accredited agency	Applicable note number
Argentina	IRAM	1
Australia	SAA	1
Austria	OVE	1
Belgium	CEBEC	1
Brazil	ABNT	1
Canada	CSA	2
Chile	IMQ	1
Denmark	DEMKO	1
Finland	FIMKO	1
France	UTE	1
Germany	VDE	1

Table 11-1 Power cord requirements for specific countries and regions (continued)

Country/region	Accredited agency	Applicable note number
India	BIS	1
Israel	SII	1
Italy	IMQ	1
Japan	JIS	3
Netherlands	KEMA	1
New Zealand	SANZ	1
Norway	NEMKO	1
People's Republic of China	CCC	4
Saudi Arabia	SASO	7
Singapore	PSB	1
South Africa	SABS	1
South Korea	KTL	5
Sweden	SEMKO	1
Switzerland	SEV	1
Taiwan	BSMI	6
Thailand	TISI	1
United Kingdom	ASTA	1
United States	UL	2

1. The flexible cord must be Type H05VV-F, 3-conductor, 0.75 mm² conductor size. Power cord set fittings (appliance coupler and wall plug) must bear the certification mark of the agency responsible for evaluation in the country or region where it will be used.
2. The flexible cord must be Type SVT/SJT or equivalent, No. 18 AWG, 3-conductor. The wall plug must be a two-pole grounding type with a NEMA 5-15P (15 A, 125 V ac) or NEMA 6-15P (15 A, 250 V ac) configuration. CSA or C-UL mark. UL file number must be on each element.
3. The appliance coupler, flexible cord, and wall plug must bear a T mark and registration number in accordance with the Japanese Dentori Law. The flexible cord must be Type VCTF, 3-conductor, 0.75 mm² or 1.25 mm² conductor size. The wall plug must be a two-pole grounding type with a Japanese Industrial Standard C8303 (7 A, 125 V ac) configuration.
4. The flexible cord must be Type RVV, 3-conductor, 0.75 mm² conductor size. Power cord set fittings (appliance coupler and wall plug) must bear the CCC certification mark.
5. The flexible cord must be Type H05VV-F 3-conductor, 0.75 mm² conductor size. KTL logo and individual approval number must be on each element. Approval number and logo must be printed on a flag label.
6. The flexible cord must be Type HVCTF 3-conductor, 1.25 mm² conductor size. Power cord set fittings (appliance coupler, cable, and wall plug) must bear the BSMI certification mark.
7. For 127 V ac, the flexible cord must be Type SVT or SJT 3-conductor, 18 AWG, with plug NEMA 5-15P (15 A, 125 V ac), with UL and CSA or C-UL marks. For 240 V ac, the flexible cord must be Type H05VV-F 3-conductor, 0.75 mm² or 1.00 mm² conductor size, with plug BS 1363/A with BSI or ASTA marks.

12 Recycling

When a nonrechargeable or rechargeable battery has reached the end of its useful life, do not dispose of the battery in general household waste. Follow the local laws and regulations in your area for battery disposal.

HP encourages customers to recycle used electronic hardware, HP original print cartridges, and rechargeable batteries. For more information about recycling programs, see the HP website at <http://www.hp.com/recycle>.

Index

A

- AC adapter and battery light, identifying lights
 - AC adapter and battery 5
- AC adapters, spare part numbers 21
- audio board
 - removal 40
 - spare part numbers 40
- Audio-out (headphone)/Audio-in (microphone) combo jack 6

B

- backup, creating 60
- backups 60
- battery
 - illustrated 16
 - spare part number 16
- BIOS
 - determining version 64
 - downloading an update 64, 65
 - updating 64
- Bluetooth label 13
- boot order
 - changing using the f9 prompt 65
- boot order, changing 61
- bottom 13
- bottom components 13
- bottom cover
 - illustrated 16
 - removal 28
 - spare part number 16, 28
- button
 - left touchpad 9
 - right touchpad 9
- buttons
 - left touchpad 8
 - power 11
 - right touchpad 8

C

- cables
 - spare part numbers 20

- camera
 - identifying 7
 - illustrated 19
 - spare part number 19
- camera light, identifying 7
- caps lock light 10
- card reader board
 - removal 38
 - spare part numbers 38
- card reader/audio board
 - illustrated 16
 - spare part number 16
- cautions
 - electrostatic discharge 23, 24
- components
 - bottom 13
 - display 7
 - keyboard area 8
 - left side 6
 - right side 5
 - touchpad 8
- computer major components 16
- Computer Setup
 - navigating and selecting 63
 - restoring factory settings 63
 - starting 63
- computer specifications 72
- control zone 8

D

- display
 - specifications 72
- display assembly
 - subcomponents 19
- display back cover
 - illustrated 19
 - spare part number 19
- display bezel
 - illustrated 19
 - spare part number 19
- display cable
 - illustrated 19
 - spare part number 19
- display components 7

- display panel
 - illustrated 19
 - spare part number 19

E

- electrostatic discharge (ESD) 23, 24
 - preventing damage 23, 24, 25
- esc key, identifying keys
 - esc 12

F

- fan
 - illustrated 16
 - removal 43
 - spare part number 16, 43
- fingerprint reader
 - removal 42
 - spare part numbers 42
- fingerprint reader, identifying 11
- fn key, identifying 12

G

- grounding methods 23, 24, 25
- guidelines
 - packaging 23, 27
 - transporting 23, 27
 - workstation 23

H

- hard drive
 - removal 31
 - spare part numbers 31
 - specifications 72
- heat sink
 - illustrated 16
 - removal 44
 - spare part number 16
 - spare part numbers 44
- hinge
 - illustrated 19
 - spare part number 19
- hinge cover
 - illustrated 19
 - spare part number 19

- HP PC Hardware Diagnostics UEFI
 - downloading 70
 - starting 69
 - using 69
- HP PC Hardware Diagnostics Windows
 - accessing 67
 - downloading 68
 - installing 69
 - using 67
- HP Recovery media
 - recovery 61
- HP Sure Recover 62
- HP Sure Start 75, 80

I

- illustrated parts catalog 16
- internal microphones, identifying 7

J

- jacks
 - audio-out (headphone)/audio-in (microphone) combo, identifying 6

K

- keyboard
 - product description 3
- keyboard with top cover
 - spare part numbers 58
- keys
 - action 12
 - fn 12
 - Windows 12

L

- labels
 - Bluetooth 13
 - regulatory 13
 - serial number 13
 - service 13
 - wireless certification 13
 - WLAN 13
- left control zone, identifying 8
- left side components 6
- lights
 - camera 7
 - caps lock 10
 - mute 10
 - mute light, identifying 10
 - touchpad 8

M

- memory
 - nonvolatile 75
 - volatile 75
- memory card reader 5
- memory modules
 - removal 35
 - spare part numbers 35

N

- nonvolatile memory 75

P

- packaging guidelines 23, 27
- pointing device, product
 - description 3
- ports
 - product description 3
 - USB SuperSpeed 5
- power button, identifying 11
- power connector
 - identifying 5
- power connector cable
 - illustrated 16
 - removal 56
 - spare part number 16
 - spare part numbers 56
- power cord
 - requirements for all countries 81
 - requirements for specific countries and regions 81
 - set requirements 81
- power cords, spare part numbers 21
- product description
 - keyboard 3
 - pointing device 3
 - ports 3
- product name and number, computer 13

R

- recovery 60
 - discs 61
 - media 61
 - USB flash drive 61
- recovery media 60
 - creating using HP Cloud Recovery Download Tool 60
 - creating using Windows tools 60

- regulatory information
 - regulatory label 13
 - wireless certification labels 13
- Remote HP PC Hardware Diagnostics UEFI settings
 - customizing 71
 - using 70
- removal and replacement
 - procedures 28
 - solid-state drive 34
- removing personal data from volatile system memory 75
- restoring 60
- restoring and recovery methods 61
- right control zone, identifying 8
- right side components 5

S

- Screw Kit, spare part number 21
- serial number, computer 13
- service labels, locating 13
- setup utility
 - navigating and selecting 63
 - restoring factory settings 63
- slots
 - memory card reader 5
- solid-state drive
 - illustrated 16
 - removal and replacement 34
 - spare part number 16
 - specifications 73, 74
- solid-state drive board
 - removal 36
 - spare part numbers 36
- spare part country codes 58
- speaker
 - illustrated 16
 - removal 57
 - spare part number 16
 - spare part numbers 57
- speakers, identifying 11
- special keys, using 12
- specifications
 - computer 72
 - display 72
 - hard drive 72
 - solid-state drive 73, 74
- static electricity 23, 24
- Sure Start
 - using 66

- system board
 - illustrated 16
 - removal 47
 - spare part number 16
 - spare part numbers 47
- system memory, removing personal data from volatile 75
- system restore 61
- system restore point, creating 60

T

- top cover/keyboard
 - illustrated 16
 - spare part number 16
- touchpad
 - illustrated 16
 - settings 8
 - spare part number 16
- touchpad button board
 - removal 41
 - spare part numbers 41
- touchpad buttons
 - identifying 8
- touchpad cable
 - spare part number 20
- touchpad components 8
- touchpad light, identifying 8
- touchpad settings, adjusting 8
- touchpad zone, identifying 8, 9
- TPM settings 65
- transporting guidelines 23, 27
- traveling with the computer 13

U

- USB board
 - illustrated 16
 - removal 39
 - spare part number 16
 - spare part numbers 39
- USB board cable
 - spare part number 20
- USB SuperSpeed ports
 - identifying 5

V

- vent, identifying 11

W

- Windows
 - backup 60

- recovery media 60
- system restore point 60
- Windows key, identifying 12
- Windows tools, using 60
- wireless antennas
 - illustrated 19
 - spare part number 19
- wireless antennas, identifying 7
- wireless certification label 13
- WLAN antennas, identifying 7
- WLAN device 13
- WLAN label 13
- WLAN module
 - removal 32
 - spare part numbers 32
- workstation guidelines 23