



LASERJET ENTERPRISE 500 COLOR MFP

User Guide



M575



HP LaserJet Enterprise 500 color MFP M575

User Guide

Copyright and License

© 2012 Copyright Hewlett-Packard Development Company, L.P.

Reproduction, adaptation, or translation without prior written permission is prohibited, except as allowed under the copyright laws.

The information contained herein is subject to change without notice.

The only warranties for HP products and services are set forth in the express warranty statements accompanying such products and services. Nothing herein should be construed as constituting an additional warranty. HP shall not be liable for technical or editorial errors or omissions contained herein.

Part number: CD644-90907

Edition 1, 5/2012

Trademark Credits

Adobe®, Adobe Photoshop®, Acrobat®, and PostScript® are trademarks of Adobe Systems Incorporated.

Apple and the Apple logo are trademarks of Apple Computer, Inc., registered in the U.S. and other countries. iPod is a trademark of Apple Computer, Inc. iPod is for legal or rightholder-authorized copying only. Don't steal music.

Microsoft®, Windows®, Windows® XP, and Windows Vista® are U.S. registered trademarks of Microsoft Corporation.

PANTONE® is Pantone, Inc's check-standard trademark for color.

UNIX® is a registered trademark of The Open Group.

Table of contents

1 Product introduction	1
Product views	2
Product front view	2
Product back view	3
Interface ports	4
Serial number and model number location	5
Control panel	6
Control-panel Home screen	6
Control-panel cleaning	7
Control-panel help	7
Product reports	9
2 Connect the product and install software	11
Connect the product to a computer by using a USB cable and install the software (Windows)	12
Connect the product to a network by using a network cable and install the software (Windows)	13
Configure the IP address	13
Install the software	14
Connect the product to a computer by using a USB cable and install the software (Mac)	16
Connect the product to a network by using a network cable and install the software (Mac)	17
Configure the IP address	17
Install the software	18
3 Input trays and output bins	21
Supported paper sizes	22
Supported paper types	25
Configure trays	27
Configure a tray when loading paper	27
Configure a tray to match print job settings	27
Configure a tray by using the control panel	27
Alternative letterhead mode	28
Tray 1	29

Tray capacity and paper orientation	29
Load Tray 1	31
Print envelopes	34
Automatic paper sensing (auto-sense mode)	34
Auto-sense settings	34
Tray 2	35
Tray capacity and paper orientation	35
Load Tray 2	37
Automatic paper sensing (auto-sense mode)	38
Auto-sense settings	38
Optional Tray 3	40
Tray capacity and paper orientation	40
Load Tray 3	41
Automatic paper sensing (auto-sense mode)	43
Auto-sense settings	43
Standard output bin	44
Use the convenience stapler (stapling models only)	45

4 Parts, supplies, and accessories 47

Order parts, accessories, and supplies	48
HP policy on non-HP supplies	49
HP anticounterfeit Web site	50
Print when a toner cartridge is at estimated end of life	51
Enable or disable the Very Low Settings options from the control panel	52
Customer self-repair parts	53
Accessories	55
Toner cartridges	56
Toner cartridge view	57
Toner cartridge information	58
Recycle toner cartridges	58
Toner-cartridge storage	58
HP policy on non-HP toner cartridges	58
Replace the toner cartridges	59
Toner collection unit	62
Replace the toner collection unit	62
Staples (stapling models only)	65
Load staples	65

5 Print 67

Supported print drivers (Windows)	68
HP Universal Print Driver (UPD)	68

UPD installation modes	69
Change print-job settings (Windows)	70
Change the settings for all print jobs until the software program is closed	70
Change the default settings for all print jobs	70
Change the product configuration settings	70
Change print-job settings (Mac OS X)	71
Change the settings for all print jobs until the software program is closed	71
Change the default settings for all print jobs	71
Change the product configuration settings	71
Print tasks (Windows)	72
Use a printing shortcut (Windows)	72
Create printing shortcuts (Windows)	74
Automatically print on both sides (Windows)	77
Print multiple pages per sheet (Windows)	79
Select the page orientation (Windows)	81
Select the paper type (Windows)	83
Print the first or last page on different paper (Windows)	86
Scale a document to fit page size (Windows)	89
Create a booklet (Windows)	91
Print tasks (Mac OS X)	93
Use a printing preset (Mac OS X)	93
Create a printing preset (Mac OS X)	93
Automatically print on both sides (Mac OS X)	93
Print multiple pages per sheet (Mac OS X)	93
Select the page orientation (Mac OS X)	94
Select the paper type (Mac OS X)	94
Print a cover page (Mac OS X)	94
Scale a document to fit page size (Mac OS X)	95
Create a booklet (Mac OS X)	95
Additional print tasks (Windows)	96
Cancel a print job (Windows)	96
Select the paper size (Windows)	96
Select a custom paper size (Windows)	97
Print watermarks (Windows)	97
Additional print tasks (Mac OS X)	98
Cancel a print job (Mac OS X)	98
Select the paper size (Mac OS X)	98
Select a custom paper size (Mac OS X)	98
Print watermarks (Mac OS X)	99
Color printing	100
Use the HP EasyColor option	100

Change the color options (Windows)	100
Change the color theme for a print job (Windows)	101
Change the color options (Mac OS X)	101
Manual color options	102
Match colors	102
Sample book color matching	103
Print color samples	103
PANTONE® color matching	104
Store print jobs on the product	105
Create a stored job (Windows)	105
Create a stored job (Mac OS X)	107
Print a stored job	108
Delete a stored job	108
Add a job-separator page (Windows)	109
Use HP ePrint	110
Use the HP ePrint Mobile Driver	111
Use Apple AirPrint	112
Use HP Smart Print (Windows)	113
Use easy-access USB printing	114
Print easy-access USB documents	114

6 Copy **117**

Set new default copy settings	118
Restore default copy settings	120
Make a single copy	121
Make multiple copies	122
Copy a multiple-page original	124
Collate a copy job	126
Copy on both sides (duplex)	128
Copy on both sides automatically	128
Copy on both sides manually	129
Reduce or enlarge a copy image	131
Make color copies or black and white copies	133
Optimize copy quality for text or pictures	134
Adjust the copy lightness/darkness	135
Set the paper size and type for copying on special paper	137
Use Job Build mode	138
Copy a book	139
Copy a photo	141

7 Scan/send	143
Set up scan/send features	144
Change default scan/send settings from the product control panel	146
Send a scanned document to a network folder	148
Send a scanned document to a folder in the product memory	151
Send a scanned document to a USB flash drive	152
Send a scanned document to one or more email addresses	155
Use the address book to send email	158
Add contacts to the address book from the product control panel	158
Send a document to email by using the address book	160
Scan a photo	163
8 Fax	165
Configure required fax settings	166
Fax Setup Wizard	166
Set or verify the date and time	167
Set or verify the date/time format	167
Configure fax dialing settings	169
Configure general fax send settings	171
Configure fax billing codes	172
Configure default options for fax send jobs	173
Configure fax receive settings	174
Use a fax printing schedule	175
Block incoming faxes	176
Create a blocked-fax list	176
Delete numbers from the blocked-fax list	176
Configure default options for fax receive jobs	177
Fax archiving and forwarding	178
Enable fax archiving	178
Enable fax forwarding	178
Create a speed dial list	180
Add a number to an existing speed dial list	183
Delete a speed dial list	184
Delete a single number from a speed dial list	185
Send a fax by entering numbers manually	186
Send a fax by using a speed dial	188
Search a speed-dial list by name	190
Send a fax by using fax address book numbers	191
Search the fax address book	193
Cancel a fax	194
Fax reports	195

Fax activity log	195
Billing code report	196
Blocked fax list report	196
Speed dial list report	196
Fax call report	196

9 Manage the product 197

Configure IP network settings	198
Printer sharing disclaimer	198
View or change network settings	198
Manually configure IPv4 TCP/IP parameters from the control panel	198
Manually configure IPv6 TCP/IP parameters from the control panel	199
HP Embedded Web Server	200
Open the HP Embedded Web Server	200
HP Embedded Web Server features	201
Information tab	201
General tab	201
Copy/Print tab	202
Scan/Digital Send tab	203
Fax tab	204
Troubleshooting tab	204
Security tab	205
HP Web Services tab	205
Networking tab	205
Other Links list	206
HP Utility (Mac OS X)	207
Open HP Utility	207
HP Utility features	207
Use HP Web Jetadmin software	209
Economy settings	210
Optimize speed or energy use	210
Set sleep mode	210
Set the sleep schedule	210
Product security features	212
Security statements	212
IP Security	212
Sign in to the product	212
Assign a system password	212
Encryption support: HP High-Performance Secure Hard Disks	213
Lock the formatter cage	213
Upgrade the product firmware	214

10 Solve problems	215
Solve problems checklist	216
Factors that affect product performance	218
Restore factory-set defaults	219
Control-panel help	220
Paper feeds incorrectly or becomes jammed	221
The product does not pick up paper	221
The product picks up multiple sheets of paper	221
The document feeder jams, skews, or picks up multiple sheets of paper	222
Prevent paper jams	222
Clear jams	223
Auto-navigation for clearing jams	223
Jam locations	223
Clear jams in the document feeder	224
Clear jams in the output bin area	226
Clear jams in Tray 1	227
Clear jams in Tray 2	229
Clear jams in the right door	230
Clear jams in optional Tray 3	234
Clear jams in the lower right door (Tray 3)	235
Change jam recovery	236
Improve print quality	237
Print from a different software program	237
Set the paper-type setting for the print job	237
Check the paper type setting (Windows)	237
Check the paper type setting (Mac OS X)	237
Check the toner-cartridge status	238
Calibrate the product to align the colors	239
Print a cleaning page	239
Internal print-quality-test pages	240
Visually inspect the toner cartridge	240
Check paper and the printing environment	240
Use paper that meets HP specifications	240
Check the environment	241
Adjust color settings (Windows)	241
Try a different print driver	242
Set the individual tray alignment	244
Improve copy quality	245
Check the scanner glass for dirt or smudges	245
Calibrate the scanner	246
Check the paper settings	247

Check the paper size and type configuration	247
Select the tray to use for the copy	247
Check the image-adjustment settings	247
Optimize copy quality for text or pictures	247
Edge-to-edge copying	248
Clean the pickup rollers and separation pad in the document feeder	248
Improve scan quality	250
Check the scanner glass for dirt or smudges	250
Check the resolution settings	251
Check the color settings	252
Check the image-adjustment settings	252
Optimize scan quality for text or pictures	252
Check the output-quality settings	253
Clean the pickup rollers and separation pad in the document feeder	253
Improve fax quality	255
Check the scanner glass for dirt or smudges	255
Check the send-fax resolution settings	256
Check the image-adjustment settings	257
Optimize fax quality for text or pictures	257
Check the error-correction settings	257
Send to a different fax machine	258
Clean the pickup rollers and separation pad in the document feeder	258
Check the fit-to-page setting	259
Check the sender's fax machine	260
The product does not print or it prints slowly	261
The product does not print	261
The product prints slowly	262
Solve easy-access USB printing problems	263
The Retrieve From USB Settings menu does not open when you insert the USB flash drive	263
The file does not print from the USB flash drive	263
The file that you want to print is not listed in the Retrieve from USB menu	264
Solve USB connection problems	265
Solve wired network problems	266
The product has a poor physical connection.	266
The computer is using the incorrect IP address for the product	266
The computer is unable to communicate with the product	267
The product is using incorrect link and duplex settings for the network	267
New software programs might be causing compatibility problems	267
The computer or workstation might be set up incorrectly	267
The product is disabled, or other network settings are incorrect	267
Solve fax problems	268

Checklist for solving fax problems	268
What type of phone line are you using?	268
Are you using a surge-protection device?	268
Are you using a phone company voice-messaging service or an answering machine?	269
Does your phone line have a call-waiting feature?	269
Check fax accessory status	270
General fax problems	271
Use Fax over VoIP networks	272
Problems with receiving faxes	273
Problems with sending faxes	275
Fax error codes	277
Fax error messages on the product control panel	277
Send-fax messages	278
Receive-fax messages	279
Service settings	280
Settings in the Troubleshooting menu	280
Solve product software problems (Windows)	281
A print driver for the product is not visible in the Printer folder	281
An error message was displayed during the software installation	281
The product is in Ready mode, but nothing prints	281
Solve product software problems (Mac OS X)	283
The product name does not appear in the product list in the Print & Fax or the Print & Scan list	283
A print job was not sent to the product that you wanted	283
When connected with a USB cable, the product does not appear in the Print & Fax or the Print & Scan list after the driver is selected	283
Remove software (Windows)	285
Remove the print driver (Mac OS X)	286

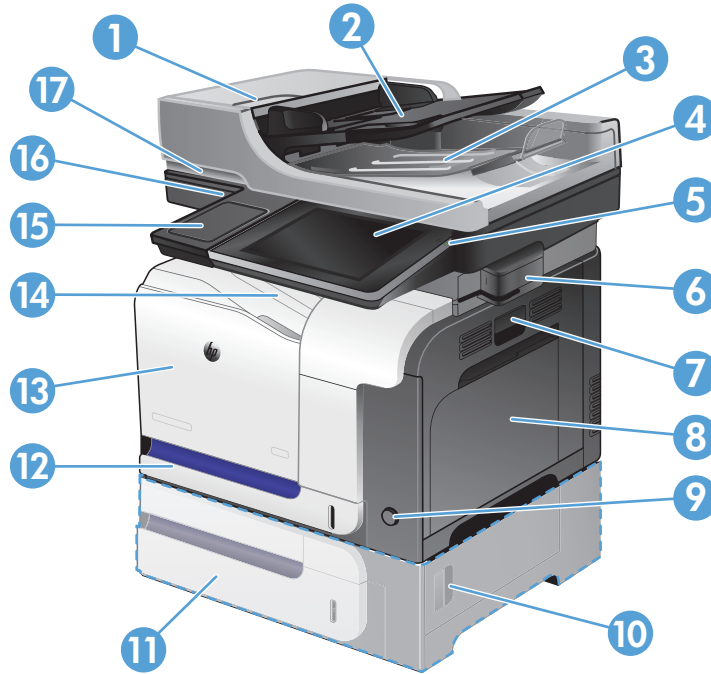
Index	287
--------------------	------------

1 Product introduction

- [Product views](#)
- [Control panel](#)
- [Product reports](#)

Product views

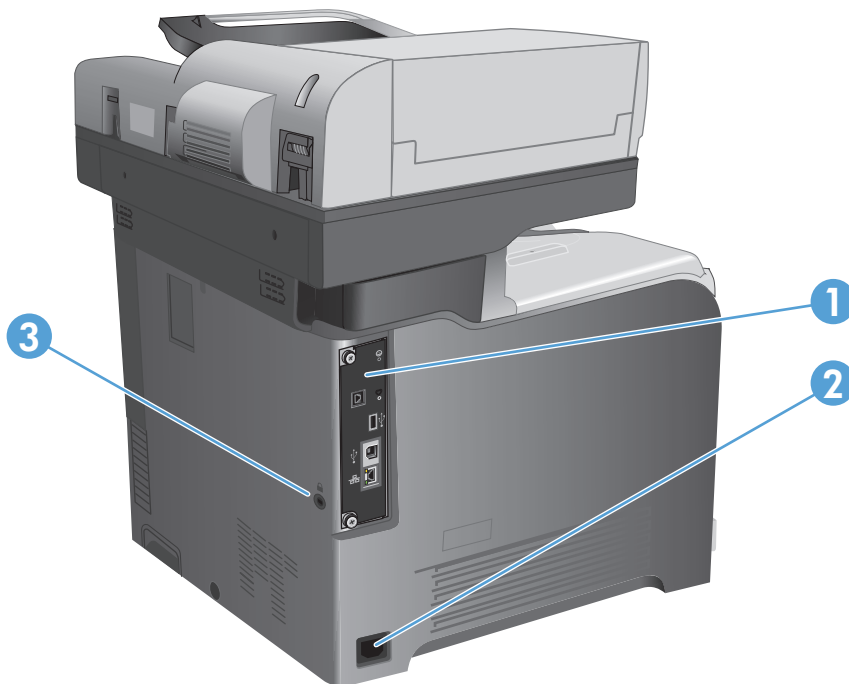
Product front view



1	Latch to release the document-feeder cover (access for clearing jams)
2	Document-feeder input tray
3	Document-feeder output bin
4	Control panel with color touchscreen display (tilts up for easier viewing)
5	Home button (returns the product to the Home screen) NOTE: The button is on the side of the control panel.
6	Convenience stapler (M575f model only)
7	Handle for the right door (access for clearing jams)
8	Tray 1
9	On/off button
10	Jam-access door for optional Tray 3
11	Optional Tray 3
12	Tray 2
13	Front cover (access to the toner cartridges and the toner-collection unit)
14	Output bin

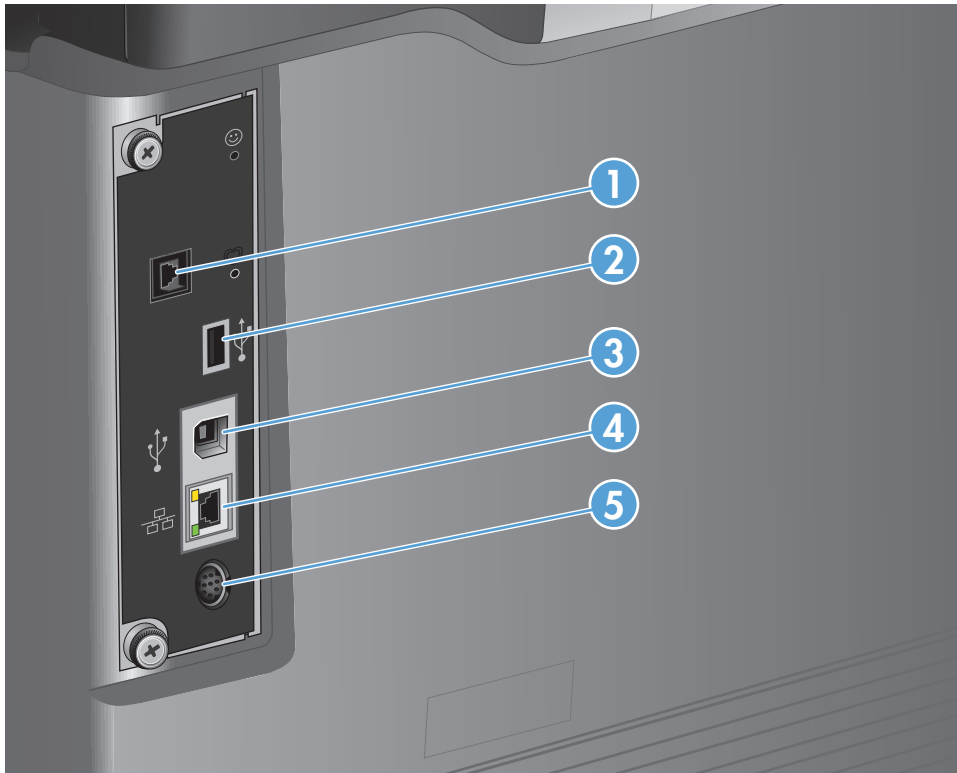
15	Hardware integration pocket (for connecting third-party devices)
16	Easy-access USB port (for printing and scanning without a computer)
17	Scanner handle (to raise the scanner lid)

Product back view



1	Formatter (contains the interface ports)
2	Power connection
3	Slot for a cable-type security lock

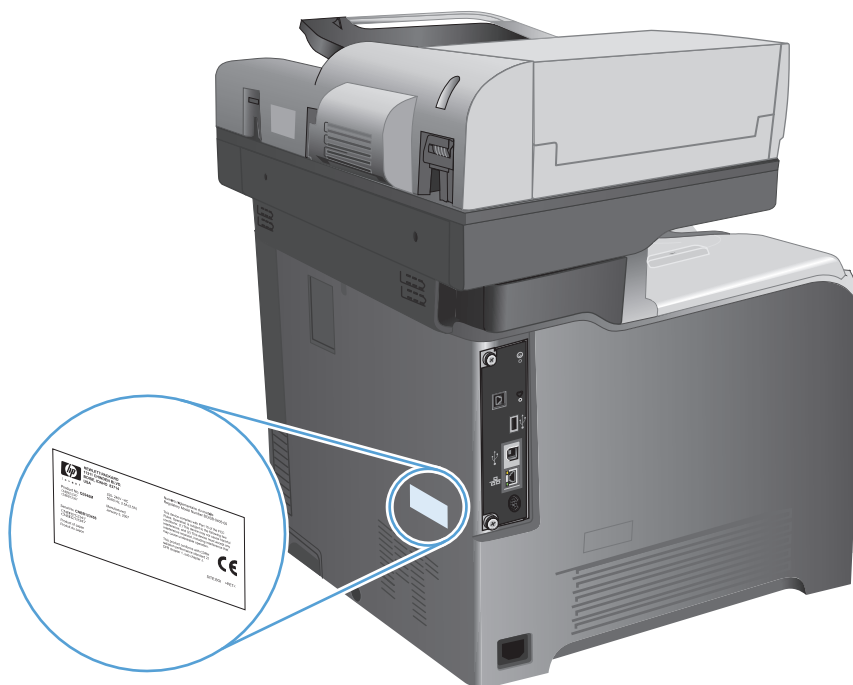
Interface ports



1	Fax port
2	USB port for connecting external USB devices (this port might be covered)
3	Hi-Speed USB 2.0 printing port
4	Local area network (LAN) Ethernet (RJ-45) network port
5	Foreign interface harness (for connecting external devices)

Serial number and model number location

The model number and serial number are listed on an identification label located on the back of the product. The serial number contains information about the country/region of origin, the product version, production code, and the production number of the product.



Model name	Model number
M575dn	CD644A
M575f	CD645A


Control panel

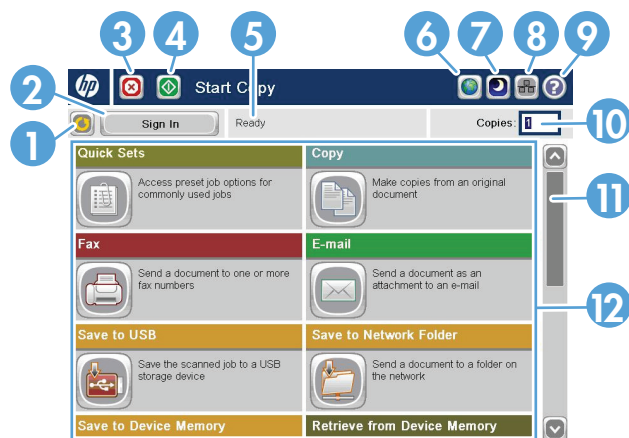
Control-panel Home screen

The Home screen provides access to the product features and indicates the current status of the product.

You can return to the Home screen at any time by pressing the Home button on the right side of the product control panel.

 **NOTE:** HP regularly updates features that are available in the product firmware. To take advantage of the most current features, upgrade the product firmware. To download the most recent firmware upgrade file, go to www.hp.com/go/lj500colorMFPM575_firmware.

 **NOTE:** The features that appear on the Home screen can vary, depending on the product configuration.




1	Refresh button	Touch the Refresh button to clear changes and restore the default settings.
2	Sign In or Sign Out	Touch the Sign In button to access secured features. Touch the Sign Out button to sign out of the product if you have signed in for access to secured features. After you sign out, the product restores all options to the default settings.
3	Stop button	Touch the Stop button to pause the current job. The Job Status screen opens, and then you can cancel or continue the job.
4	Start button	Touch the Start button to start a copy job.
5	Product status	The status line provides information about the overall product status.
6	Language Selection button	Touch the Language Selection button to select the language for the control-panel display.
7	Sleep button	Touch the Sleep button to put the product into Sleep mode.
8	Network button	Touch the Network button to find information about the network connection.
9	Help button	Touch the Help button to open the embedded help system.
10	Copies field	The Copies field indicates the number of copies that the product is set to make.

11	Scroll bar	Touch the up or down arrows on the scroll bar to see the complete list of available features.
12	Features	<p>Depending on the product configuration, the features that appear in this area can include any of the following items:</p> <ul style="list-style-type: none"> • Quick Sets • Copy • E-mail • Fax (for products that have fax installed) • Save to USB • Save to Network Folder • Save to Device Memory • Retrieve from USB • Retrieve from Device Memory • Job Status • Supplies • Trays • Administration • Device Maintenance

Control-panel cleaning



Clean the control panel with a soft, lint-free cloth. Do not use paper towels or tissues because they are abrasive and could damage the screen. If necessary to remove stubborn debris, moisten the cloth with water or glass cleaner.

Control-panel help

The product has a built-in Help system that explains how to use each screen. To open the Help system, touch the Help  button in the upper-right corner of the screen.

For some screens, the Help opens to a global menu where you can search for specific topics. You can browse through the menu structure by touching the buttons in the menu.

For screens that contain settings for individual jobs, the Help opens to a topic that explains the options for that screen.

If the product alerts you of an error or warning, touch the Error  button or the Warning  button to open a message that describes the problem. The message also contains instructions to help solve the problem.

You can print or view a report of the complete [Administration](#) menu so you can more easily navigate to the individual settings you need.

1. From the Home screen on the product control panel, scroll to and touch the [Administration](#) button.
2. Open the following menus:
 - [Reports](#)
 - [Configuration/Status Pages](#)
3. Select the [Administration Menu Map](#) option.
4. Touch the [Print](#) button to print the report. Touch the [View](#) button to view the report.

Product reports

Product reports provide details about the product and its current configuration. Use the following procedure to print or view the reports:

1. From the Home screen on the product control panel, scroll to and touch the [Administration](#) button.
2. Open the [Reports](#) menu.
3. Select one of the report categories:
 - [Configuration/Status Pages](#)
 - [Fax Reports](#) (fax models only)
 - [Other Pages](#)
4. Select the name of the report you want to review, and then touch the [Print](#) button to print it or touch the [View](#) button to review the settings on the control-panel display.


 **NOTE:** Some pages do not have the [View](#) option.

Table 1-1 Reports menu

First level	Second level	Description
Configuration/Status Pages	Administration Menu Map	Shows the structure of the Administration menu.
	Current Settings Page	Shows the current settings for each option in the Administration menu.
	Configuration Page	Shows the product settings and installed accessories.
	Supplies Status Page	Shows the approximate remaining life for the supplies; reports statistics on total number of pages and jobs processed, serial number, page counts, and maintenance information. HP provides approximations of the remaining life for the supplies as a customer convenience. The actual remaining supply levels might be different than the approximations provided.
	Usage Page	Shows a count of all paper sizes that have passed through the product; lists whether they were simplex, duplex, monochrome, or color; and reports the page count.
	File Directory Page	Shows the file name and folder name for files that are stored in the product memory.
	Web Services Status Page	Shows the detected Web Services for the product.
	Color Usage Job Log	Shows the color-usage statistics for the product.

Table 1-1 Reports menu (continued)

First level	Second level	Description
Fax Reports	Fax Activity Log	Contains a list of the faxes that have been sent from or received by this product.
	Billing Codes Report	A list of billing codes that have been used for outgoing faxes. This report shows how many sent faxes were billed to each code.
	Blocked Fax List	A list of phone numbers that are blocked from sending faxes to this product.
	Speed Dial List	Shows the speed dials that have been set up for this product.
	Fax Call Report	A detailed report of the last fax operation, either sent or received.
Other Pages	Demonstration Page	Prints a demonstration page that highlights the printing capability of the product.
	RGB Samples	Prints color samples for different RGB values. Use the samples as a guide for matching printed colors.
	CMYK Samples	Prints color samples for different CMYK values. Use the samples as a guide for matching printed colors.
	PCL Font List	Prints the available PCL fonts.
	PS Font List	Prints the available HP postscript level 3 emulation fonts.

2 Connect the product and install software

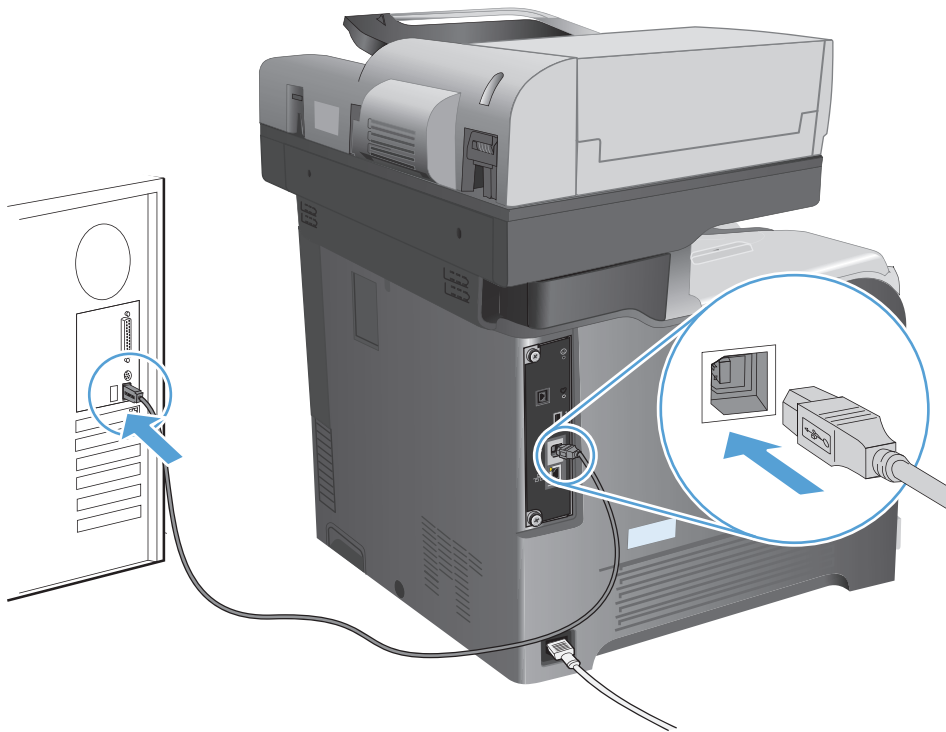
- [Connect the product to a computer by using a USB cable and install the software \(Windows\)](#)
- [Connect the product to a network by using a network cable and install the software \(Windows\)](#)
- [Connect the product to a computer by using a USB cable and install the software \(Mac\)](#)
- [Connect the product to a network by using a network cable and install the software \(Mac\)](#)

Connect the product to a computer by using a USB cable and install the software (Windows)

This product supports a USB 2.0 connection. Use an A-to-B type USB cable. HP recommends using a cable that is no longer than 2 m (6.5 ft).

CAUTION: Do not connect the USB cable until the installation software prompts you to connect it.

1. Close all open programs on the computer.
2. Install the software from the CD, and follow the on-screen instructions.
3. When prompted, select the **Directly connect to this computer using USB cable** option, and then click the **Next** button.
4. When the software prompts you, connect the USB cable to the product and the computer.

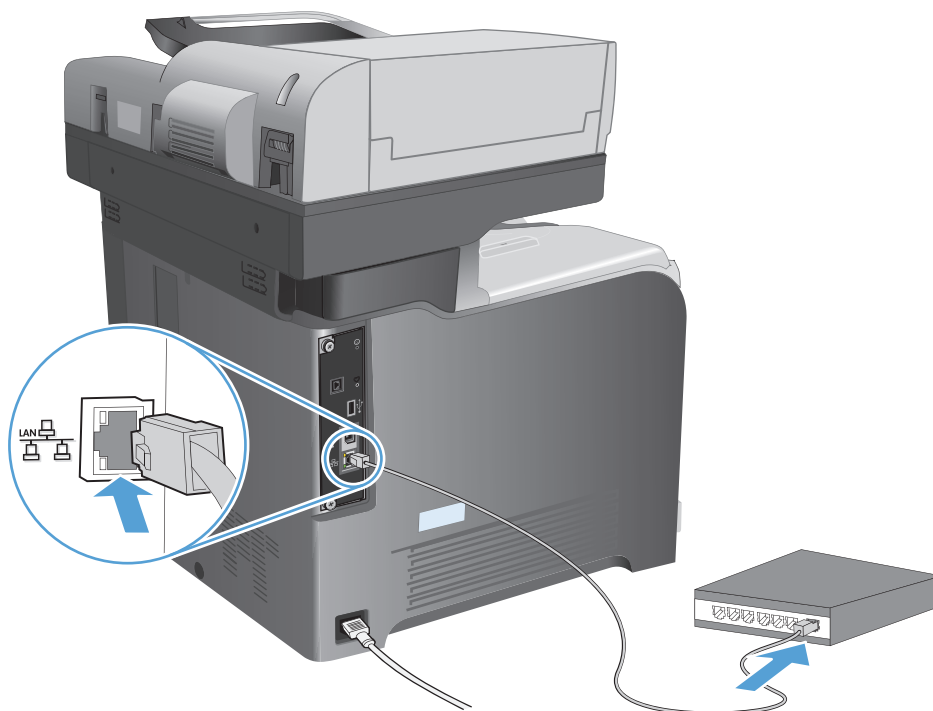


5. At the end of the installation, click the **Finish** button, or click the **More Options** button to install more software or configure basic digital sending features for the product.
6. Print a page from any program to make sure that the software is correctly installed.


Connect the product to a network by using a network cable and install the software (Windows)


Configure the IP address

1. Make sure the product is turned on and that the **Ready** message displays on the product control-panel display.
2. Connect the network cable to the product and to the network.

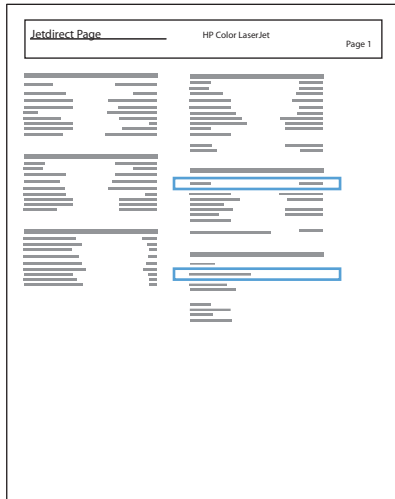


3. Wait for 60 seconds before continuing. During this time, the network recognizes the product and assigns an IP address or host name for the product.

4. From the Home screen on the product control panel, touch the Network  button to identify the product IP address or host name.

If the Network  button is not visible, you can find the IP address or host name by printing a configuration page.

- a. From the Home screen on the product control panel, scroll to and touch the [Administration](#) button.
- b. Open the following menus:
 - [Reports](#)
 - [Configuration/Status Pages](#)
 - [Configuration Page](#)
- c. Touch the [View](#) button to view the information on the control panel, or touch the [Print](#) button to print the pages.
- d. Find the IP address on the Jetdirect page.



5. **IPv4:** If the IP address is 0.0.0.0, or 192.0.0.192, or 169.254.x.x, you must manually configure the IP address. Otherwise, the network configuration was successful.

IPv6: If the IP address begins with "fe80:", the product should be able to print. If not, you must manually configure the IP address.

Install the software

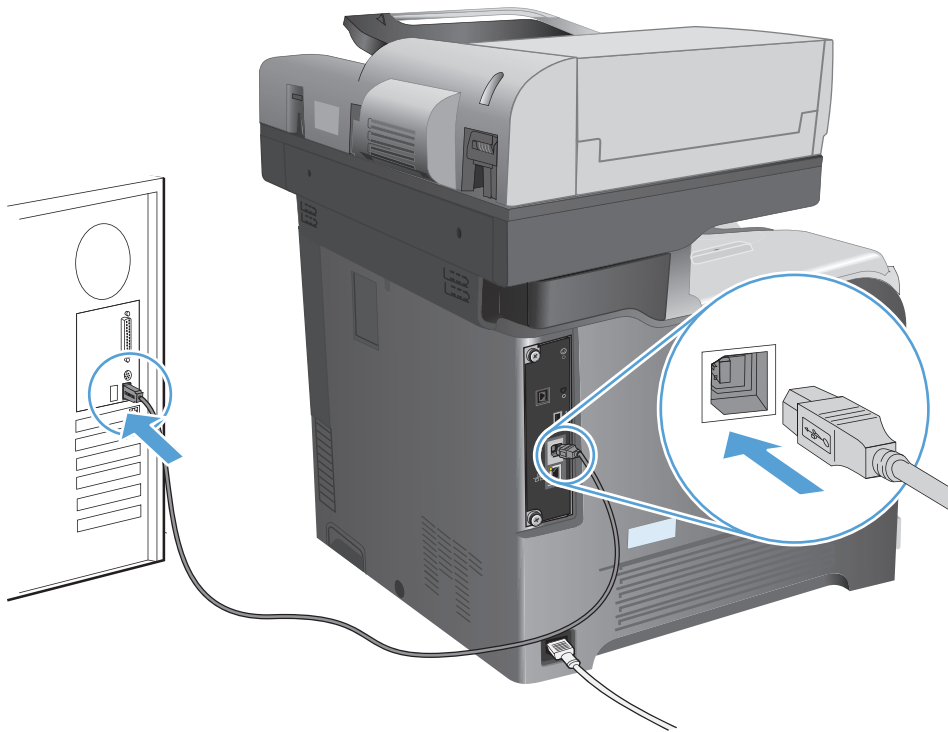
1. Close all programs on the computer.
2. Install the software from the CD.
3. Follow the on-screen instructions.
4. When prompted, select the **Connect through a wired network** option.

5. From the list of available products, select the one that has the correct IP address. If the product is not listed, manually enter the product's IP Address, Host Name, or Hardware Address.
6. At the end of the installation, click the **Finish** button, or click the **More Options** button to install more software or configure basic digital sending features for the product.
7. Print a page from any program to make sure that the software is correctly installed.

Connect the product to a computer by using a USB cable and install the software (Mac)

This product supports a USB 2.0 connection. Use an A-to-B type USB cable. HP recommends using a cable that is no longer than 2 m (6.5 ft).

1. Connect the USB cable to the product and the computer.

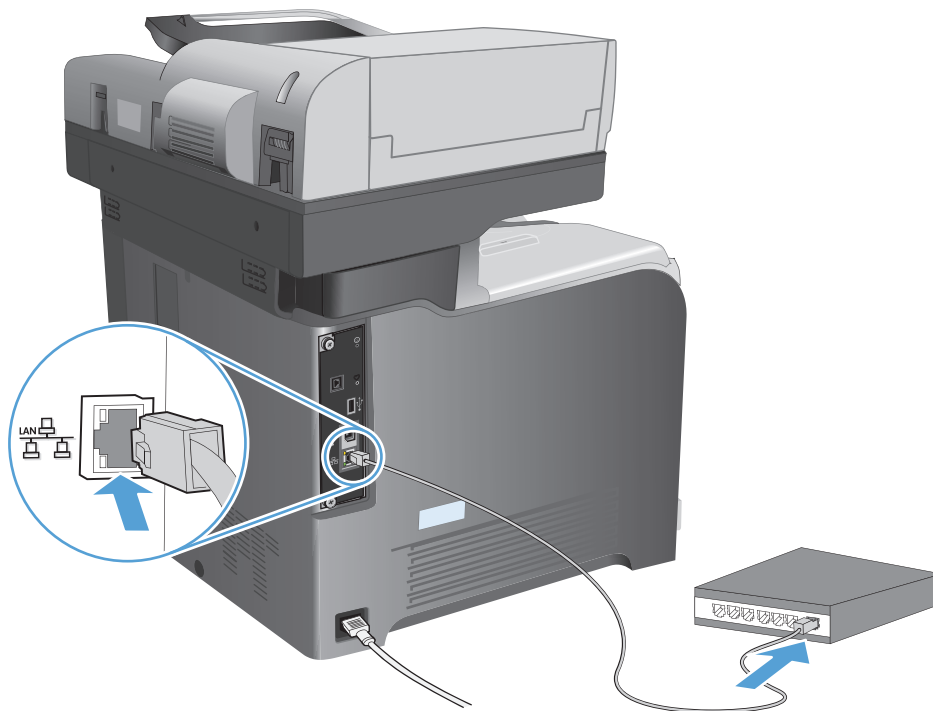


2. Install the software from the CD.
3. Click the product icon, and follow the on-screen instructions.
4. Click the **Close** button.
5. Print a page from any program to make sure that the software is correctly installed.


Connect the product to a network by using a network cable and install the software (Mac)


Configure the IP address

1. Make sure the product is turned on and that the **Ready** message displays on the product control-panel display.
2. Connect the network cable to the product and to the network.

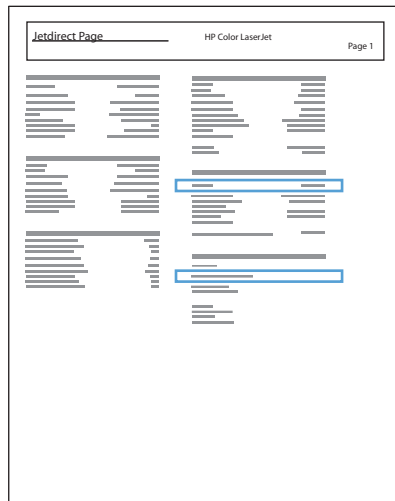


3. Wait for 60 seconds before continuing. During this time, the network recognizes the product and assigns an IP address or host name for the product.

4. From the Home screen on the product control panel, touch the Network  button to identify the product IP address or host name.

If the Network  button is not visible, you can find the IP address or host name by printing a configuration page.

- a. From the Home screen on the product control panel, scroll to and touch the [Administration](#) button.
- b. Open the following menus:
 - [Reports](#)
 - [Configuration/Status Pages](#)
 - [Configuration Page](#)
- c. Touch the [View](#) button to view the information on the control panel, or touch the [Print](#) button to print the pages.
- d. Find the IP address on the Jetdirect page.




5. **IPv4:** If the IP address is 0.0.0.0, or 192.0.0.192, or 169.254.x.x, you must manually configure the IP address. Otherwise, the network configuration was successful.


IPv6: If the IP address begins with "fe80:", the product should be able to print. If not, you must manually configure the IP address.


Install the software

1. Close all programs on the computer.
2. Install the software from the CD.
3. Click the product icon, and follow the on-screen instructions.

4. Click the **Close** button when the installation is complete.

 **NOTE:** Complete the following steps *after* completing the printing-system software installation *only* if you did not add a printer when running the installer.


5. At the computer, open the Apple  menu, click the **System Preferences** menu, and then click the **Print & Fax** icon (OS X v10.5 and 10.6) or the **Print & Scan** icon (OS X v10.7).
6. Click the plus symbol (+).
7. Use either Bonjour (default browser) or IP Printing for the network connection.


 **NOTE:** Bonjour is the easiest and best method to use if the product is installed on your local network.

IP Printing *must* be used to install the product on a different network.

If you are using Bonjour, complete the following steps:

- a. Click the **Default Browser** tab.
- b. Select the product from the list. The software verifies that the product is connected to the network. The **Print Using** field is automatically populated with the correct PPD for the product.

 **NOTE:** If you are on a network that has more than one product, print a configuration page and match the Bonjour Printer Name to the name on the list to identify the product that you are installing.

 **NOTE:** If the product does not appear in the list, verify that the product is on and connected to the network, then try turning the product off and then on again. If the product PPD is not in the **Print Using** drop-down list, turn the computer off and then on again, and then restart the setup process.

- c. Click the **Add** button to complete the setup process.

If you are using the IP Printing method, complete the following steps:

- a. Click the **IP Printer** tab.
- b. Choose **HP Jet Direct – Socket** from the **Protocol** drop-down menu. This is the recommended setting for HP products.
- c. Type the IP address into the **Address** field on the add printer screen.
- d. The **Name**, **Location**, and **Print Using** information are automatically filled in. If the product PPD is not in the **Print Using** field, turn the computer off and then on again, and then restart the setup process.

3 Input trays and output bins

- [Supported paper sizes](#)
- [Supported paper types](#)
- [Configure trays](#)
- [Alternative letterhead mode](#)
- [Tray 1](#)
- [Tray 2](#)
- [Optional Tray 3](#)
- [Standard output bin](#)
- [Use the convenience stapler \(stapling models only\)](#)

Supported paper sizes



NOTE: To obtain the best results, select the correct paper size and type in the print driver before printing.

Table 3-1 Supported paper sizes

Size and dimensions	Tray 1	Tray 2	Tray 3 (optional)	Automatic duplex printing
Letter 216 x 279 mm (8.5 x 11 in)	✓	✓	✓	✓
Legal 216 x 356 mm (8.5 x 14 in)	✓		✓	✓
A4 210 x 297 mm (8.3 x 11.7 in)	✓	✓	✓	✓
RA4 215 x 305 mm (8.5 x 12.0 in)	✓		✓	✓
A5 148 x 210 mm (5.8 x 8.3 in)	✓	✓	✓	✓
B5 (JIS) 182 x 257 mm (7.2 x 10.1 in)	✓	✓	✓	✓
B6 (JIS) 128 x 182 mm (5.0 x 7.2 in)	✓			
Executive 184 x 267 mm (7.25 x 10.5 in)	✓	✓	✓	✓
Statement 140 x 216 mm (5.5 x 8.5 in)	✓			
4x6 102 x 152 mm (4 x 6 in)	✓			
10 x 15 cm 102 x 152 mm (4 x 6 in)	✓			
3x5 76 x 127 mm (3 x 5 in)	✓			
5x7 127 x 178 mm (5 x 7 in)	✓			

Table 3-1 Supported paper sizes (continued)


Size and dimensions	Tray 1	Tray 2	Tray 3 (optional)	Automatic duplex printing
5x8 127 x 203 mm (5 x 8 in)	✓			
A6 105 x 148 mm (4.1 x 5.8 in)	✓			
Postcard (JIS) 100 x 148 mm (3.9 x 5.8 in)	✓			
D Postcard (JIS) 200 x 148 mm (7.9 x 5.8 in)	✓			
16K 184 x 260 mm (7.2 x 10.25 in)	✓	✓	✓	✓
16K 195 x 270 mm (7.7 x 10.6 in)	✓	✓	✓	✓
16K 197 x 273 mm (7.75 x 10.75 in)	✓	✓	✓	✓
8.5 x 13 216 x 330 mm (8.5 x 13 in)	✓		✓	✓
Envelope #10 105 x 241 mm (4.1 x 9.5 in)	✓			
Envelope #9 98 x 225 mm (3.9 x 8.9 in)	✓			
Envelope B5 176 x 250 mm (6.9 x 9.8 in)	✓			
Envelope C5 162 x 229 mm (6.4 x 9 in)	✓			
Envelope C6 114 x 162 mm (4.5 x 6.4 in)	✓			
Envelope DL 110 x 220 mm (4.3 x 8.7 in)	✓			
Envelope Monarch 98 x 191 mm (3.9 x 7.5 in)	✓			

Table 3-1 Supported paper sizes (continued)

Size and dimensions	Tray 1	Tray 2	Tray 3 (optional)	Automatic duplex printing
Custom 76 x 127 mm to 216 x 356 mm (3.0 x 5.0 in to 8.5 x 14 in)	✓			
Custom 148 x 210 mm to 216 x 297 mm (5.8 x 8.3 in to 8.5 x 11.7 in)		✓		
Custom 148 x 210 mm to 216 x 356 mm (5.8 x 8.3 in to 8.5 x 14 in)			✓	✓

Supported paper types

For a complete list of specific HP-brand paper that this product supports, go to www.hp.com/support/lj500colorMFPM575.

 **NOTE:** To obtain the best results, select the correct paper size and type in the print driver before printing.

Paper type	Tray 1	Tray 2 ¹	Tray 3 (optional)	Automatic duplex printing
Plain	✓	✓	✓	✓
Light 60–74 g/m ²	✓	✓	✓	✓
Midweight 96–110 g/m ²	✓	✓	✓	✓
Heavy 111–120 g/m ²	✓			
Heavy 111–130 g/m ²		✓	✓	✓
Extra Heavy 131–175 g/m ²	✓		✓	✓
Extra Heavy 131–163 g/m ²		✓		
Color Transparency	✓	✓	✓	
Labels	✓		✓	
Letterhead	✓	✓	✓	✓
Preprinted	✓	✓	✓	✓
Prepunched	✓	✓	✓	✓
Colored	✓	✓	✓	✓
Rough	✓	✓	✓	✓
Bond	✓	✓	✓	✓
Recycled	✓	✓	✓	✓
Envelope	✓			
Cardstock 176–220 g/m ²	✓			
Mid-weight glossy 105–110 g/m ²	✓	✓		✓
Heavy glossy 111–130 g/m ²	✓	✓	✓	✓
Extra-heavy glossy 131–175 g/m ²	✓	✓	✓	✓
Card glossy 176–220 g/m ²	✓	✓	✓	✓
Opaque film	✓	✓	✓	✓
HP EcoSMART Lite	✓	✓	✓	✓
HP Tough Paper	✓	✓	✓	✓
HP Matte 105 g/m ²	✓	✓	✓	✓

Paper type	Tray 1	Tray 2¹	Tray 3 (optional)	Automatic duplex printing
HP Matte 120 g/m ²	✓	✓	✓	✓
HP Matte 160 g/m ²	✓	✓	✓	✓
HP Matte 200 g/m ²	✓			
HP Soft Gloss 120 g/m ²	✓	✓	✓	✓
HP Glossy 130 g/m ²	✓	✓	✓	✓
HP Glossy 160 g/m ²	✓	✓	✓	✓
HP Glossy 220 g/m ²	✓	✓	✓	✓

¹ The stack height for Tray 2 is 100 sheets for glossy paper and 20 mm (.79 in) for short paper (A5, A6, 4x6, and landscape).

Configure trays

The product automatically prompts you to configure a tray for type and size in the following situations:

- When you load paper into the tray
- When you specify a particular tray or paper type for a print job through the print driver or a software program and the tray is not configured to match the print-job's settings



NOTE: The prompt does not display if you are printing from Tray 1, and Tray 1 is configured for the **Any Size** paper size and the **Any Type** paper type settings. In this situation, if the print job does not specify a tray, the product prints from Tray 1, even if the paper size and type settings in the print job do not match the paper loaded in Tray 1.

Configure a tray when loading paper

1. Load paper in the tray. Close the tray if you are using Tray 2 and 3.
2. The tray configuration message displays on the product control panel.
3. Touch the **OK** button to accept the detected size and type, or touch the **Modify** button to choose a different paper size or type.
4. Select the correct size and type, and then touch the **OK** button.

Configure a tray to match print job settings

1. In the software program, specify the source tray, the paper size, and the paper type.
2. Send the job to the product.
If the tray needs to be configured, a tray configuration message displays on the product control panel.
3. Load the tray with the specified type and size of paper, and then close the tray.
4. Touch the **OK** button to accept the detected size and type, or touch the **Modify** button to choose a different paper size or type.
5. Select the correct size and type, and then touch the **OK** button.

Configure a tray by using the control panel

You can also configure the trays for type and size without a prompt from the product.

1. From the Home screen on the product control panel, scroll to and touch the **Trays** button.
2. Touch the line for the tray that you want to configure, and then touch the **Modify** button.
3. Select the paper size and paper type from the lists of options.
4. Touch the **OK** button to save your selection.

Alternative letterhead mode

Use the [Alternative Letterhead Mode](#) feature so that you can load letterhead or preprinted paper into the tray the same way for all print or copy jobs, whether you are printing or copying to one side of the sheet of paper or to both sides. When using this mode, load paper the same way you would for automatic duplex printing.

To use the feature, enable it by using the product control-panel menus. To use the feature with Windows, you also need to enable the feature in the print driver and configure the paper type in the print driver.

Enable Alternative Letterhead Mode by using the product control-panel menus

1. From the Home screen on the product control panel, scroll to and touch the [Administration](#) button.
2. Open the following menus:
 - [Manage Trays](#)
 - [Alternative Letterhead Mode](#)
3. Touch the [Enable](#) option.

To print with Alternative Letterhead Mode for Windows, perform the following procedure for each print job.

Print with Alternative Letterhead Mode (Windows)

1. From the software program, select the **Print** option.
2. Select the product, and then click the **Properties** or **Preferences** button.
3. Click the **Advanced** tab.
4. Expand the **Printer Features** list.
5. Open the **Alternative Letterhead Mode** drop-down list, and click the **On** option.
6. Click the **Apply** button.
7. Click the **Paper/Quality** tab.
8. From the **Paper type** drop-down list, click the **More...** option.
9. Expand the list of **Type is:** options.
10. Expand the list of **Other** options, and then click the **Letterhead** option. Click the **OK** button.
11. Click the **OK** button to close the **Document Properties** dialog box. In the **Print** dialog box, click the **OK** button to print the job.

Tray 1

Tray capacity and paper orientation

To prevent jams, do not overfill trays. Be sure the top of the stack is below the tray-full indicator. For short/narrow and heavy/glossy paper, load paper to less than half of the tray-full indicators.

Table 3-2 Tray 1 capacity

Paper type	Specifications	Quantity
Paper	Range: 60 g/m ² (16 lb) to 220 g/m ² (58 lb)	Maximum stack height: 10 mm (0.39 in) Equivalent to 100 sheets of 75 g/m ² (20 lb)
Envelopes	Less than 60 g/m ² (16 lb) to 90 g/m ² (24 lb)	Up to 10 envelopes
Labels	Maximum: 0.102 mm (0.004 in) thick	Maximum stack height: 10 mm (0.39 in)
Transparencies	Minimum: 0.102 mm (0.004 in) thick	Maximum stack height: 10 mm (0.39 in) Up to 50 sheets
Glossy paper	Range: 105 g/m ² (28 lb) to 220 g/m ² (58 lb)	Maximum stack height: 10 mm (0.39 in) Up to 50 sheets

Table 3-3 Tray 1 paper orientation

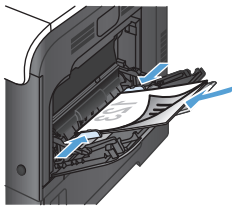
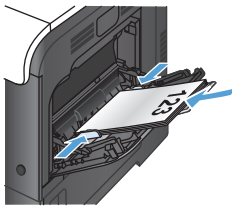
Paper type	Image orientation	Duplex mode	How to load paper	How to load paper
			Alternative Letterhead Mode = Disabled	Alternative Letterhead Mode = Enabled
Preprinted or letterhead	Portrait	1-sided printing	Face-down Top edge leading into the product	Face-up Bottom edge leading into the product
				

Table 3-3 Tray 1 paper orientation (continued)

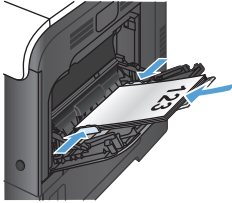
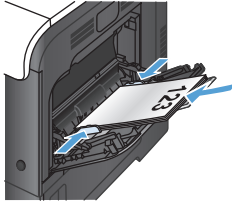
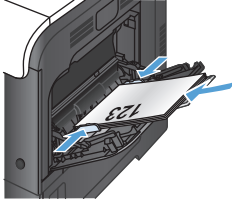
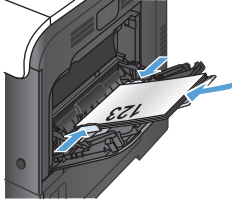
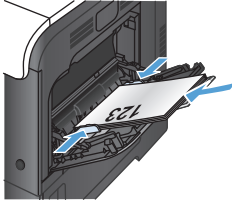
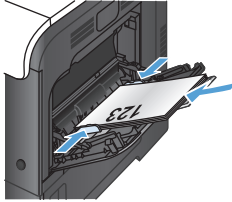
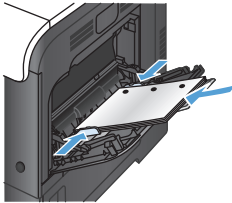
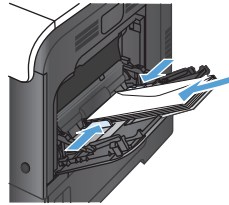
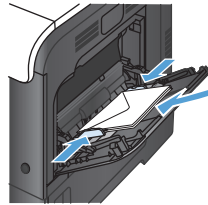
Paper type	Image orientation	Duplex mode	How to load paper	
			Alternative Letterhead Mode = Disabled	Alternative Letterhead Mode = Enabled
		2-sided printing	Face-up Bottom edge leading into the product	Face-up Bottom edge leading into the product
				
	Landscape	1-sided printing	Face-up Top edge toward the front of the product	Face-up Top edge toward the front of the product
				
		2-sided printing	Face-up Top edge toward the front of the product	Face-up Top edge toward the front of the product
				
Prepunched	Portrait or landscape	1- or 2-sided printing	Holes toward the back of the product	Not applicable
				

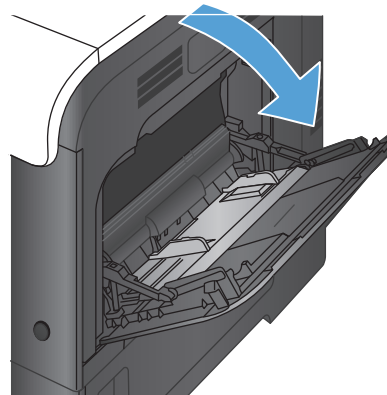
Table 3-3 Tray 1 paper orientation (continued)

Paper type	Image orientation	Duplex mode	How to load paper	
			Alternative Letterhead Mode = Disabled	Alternative Letterhead Mode = Enabled
Envelopes	Long edge of the envelope feeding into the product	1-sided printing	Face-down Top edge leading into the product	Not applicable
	Short edge of the envelope feeding into the product	1-sided printing	Face-down Top edge toward the back of the product	Not applicable

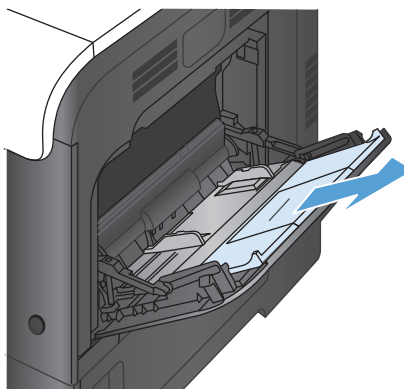


Load Tray 1

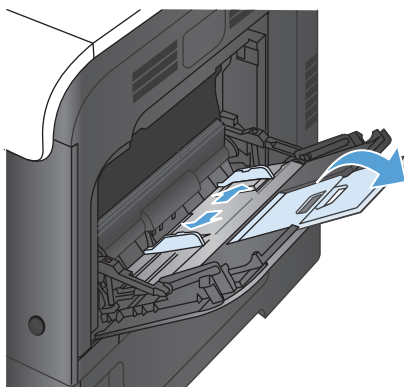
1. Open Tray 1.



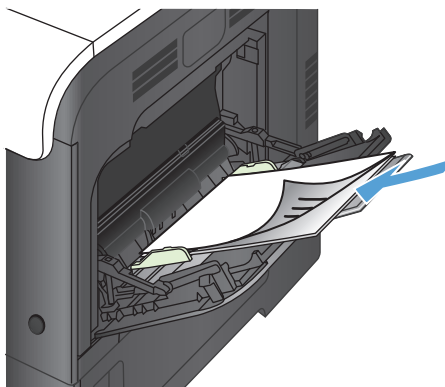
2. Slide out the tray extension.



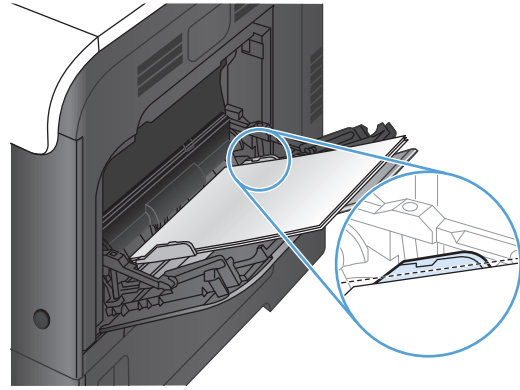
3. Fold out the tray extension to support the paper and open the side guides.



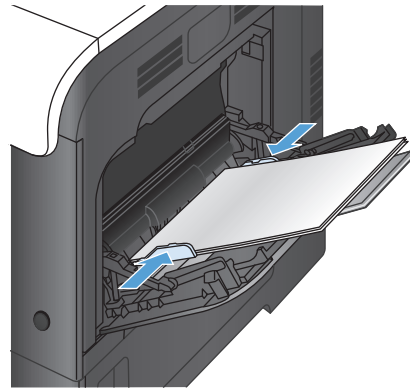
4. Load paper in the tray face-down and the short, top edge going into the product first.



5. Make sure the stack fits under the tabs on the guides and does not exceed the tray-full indicators.



6. Adjust the side guides so that they lightly touch the paper stack but do not bend it.



Print envelopes

If your software does not automatically format an envelope, specify **Landscape** for page orientation in your software program or print driver. Use the following guidelines to set margins for return and destination addresses on Commercial #10 or DL envelopes:

Address type	Left margin	Top margin
Return	15 mm (0.6 in)	15 mm (0.6 in)
Destination	102 mm (4 in)	51 mm (2 in)

For envelopes of other sizes, adjust the margin settings accordingly.

Automatic paper sensing (auto-sense mode)

The automatic paper type sensor functions when a tray is configured to the [Any Type](#) or [Plain](#) setting.

After it has picked up paper from the tray, the product can detect overhead transparencies, paper weight, and gloss level.

For more control, select a specific paper type for the job or configure the tray for a specific paper type.

Auto-sense settings

1. From the Home screen on the product control panel, scroll to and touch the [Administration](#) button.
2. Open the following menus:
 - [General Settings](#)
 - [Print Quality](#)
 - [Auto Sense Behavior](#)
3. Select one of the auto-sense modes.

Full sensing (Tray 1 only)	For each sheet of paper that it picks up from the tray, the product detects light paper, plain paper, heavy paper, glossy paper, tough paper, and transparencies.
Expanded sensing NOTE: This is the default setting for all trays.	For the first few sheets of paper that it picks up from the tray, the product detects light paper, plain paper, heavy paper, glossy paper, tough paper, and transparencies. The product assumes the rest of the pages are of the same type.
Transparency Only	The product distinguishes between transparencies and non-transparencies. This setting provides the fastest printing, but for some paper types it might reduce print quality.

Tray 2

Tray capacity and paper orientation

To prevent jams, do not overfill trays. Be sure the top of the stack is below the tray-full indicator. For short/narrow and heavy/glossy paper, load paper to less than half of the tray-full indicators.

Table 3-4 Tray 2 capacity

Paper type	Specifications	Quantity
Paper	Range: 60 g/m ² (16 lb) to 220 g/m ² (58 lb)	Equivalent to 250 sheets of 75 g/m ² (20 lb) Maximum stack height: 25 mm (.98 in) For A5, A6, and 4x6 paper sizes, and for paper printed in a landscape orientation the maximum stack height is 15 mm (.59 in),
Transparencies	Minimum: 0.102 mm (0.004 in) thick	Maximum stack height: 25 mm (.98 in)
Glossy paper	Range: 105 g/m ² (28 lb) to 220 g/m ² (58 lb)	100 sheets

Table 3-5 Tray 2 paper orientation

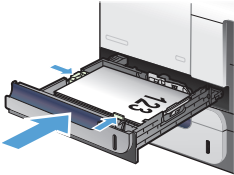
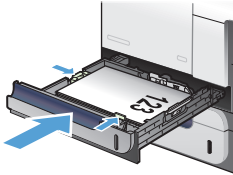
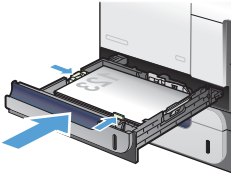
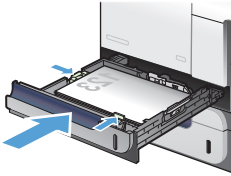
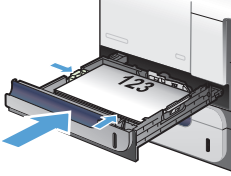
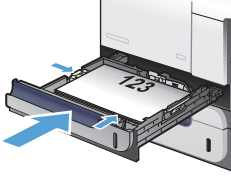
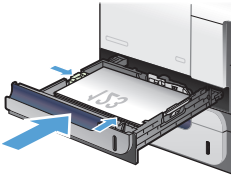
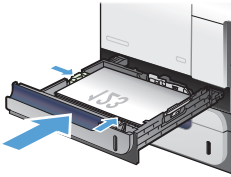
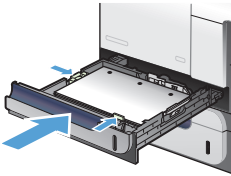
Paper type	Image orientation	Duplex mode	How to load paper	
			Alternative Letterhead Mode = Disabled	Alternative Letterhead Mode = Enabled
Preprinted or letterhead	Portrait	1-sided printing	Face-up Top edge at the right side of the tray	Face-up Top edge at the right side of the tray
				

Table 3-5 Tray 2 paper orientation (continued)

Paper type	Image orientation	Duplex mode	How to load paper	
			Alternative Letterhead Mode = Disabled	Alternative Letterhead Mode = Enabled
		2-sided printing	Face-down Top edge at the left side of the tray	Face-down Top edge at the left side of the tray
				
	Landscape	1-sided printing	Face-up Top edge toward the back of the product	Face-up Top edge toward the back of the product
				
		2-sided printing	Face-down Top edge toward the front of the product	Face-down Top edge toward the front of the product
				
Prepunched	Portrait or landscape	1- or 2-sided printing	Holes toward the back of the product	Not applicable
				

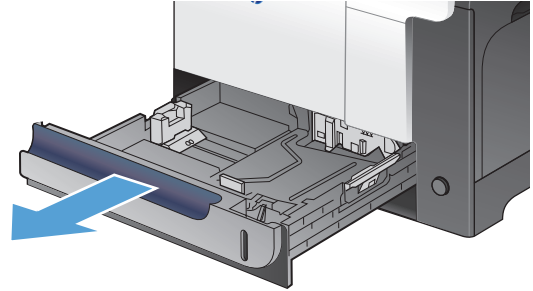
Load Tray 2

This tray holds up to 250 sheets of 75 g/m² (20 lb) paper. If the paper is heavier, the tray does not hold as many sheets. Do not overfill the tray.

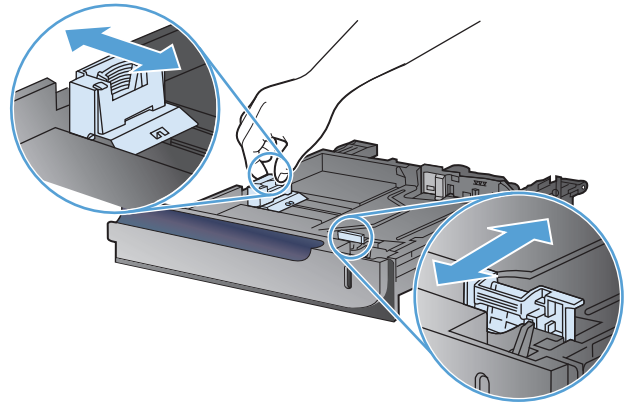
CAUTION: Do not print envelopes, labels, postcards, or unsupported sizes of paper from Tray 2. Print these types of paper only from Tray 1.

1. Slide open the tray.

NOTE: Do not open the tray while it is in use.



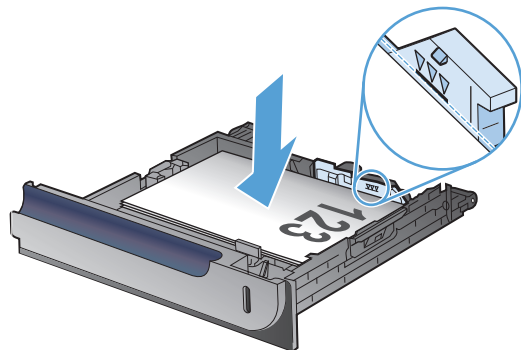
2. Adjust the paper-length and paper-width guides by squeezing the adjustment latch and sliding the guides to the size of the paper being used.



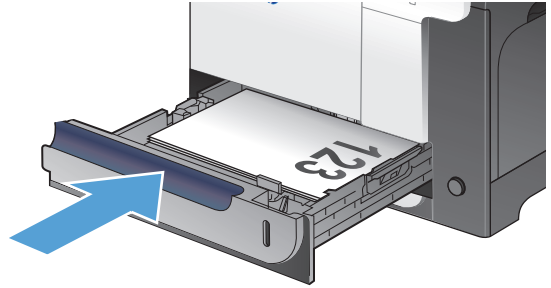
3. Load paper into the tray face-up. Check the paper to verify the guides lightly touch the stack, but do not bend it.

NOTE: To prevent jams, do not overfill the tray. Be sure the top of the stack is below the tray full indicator.

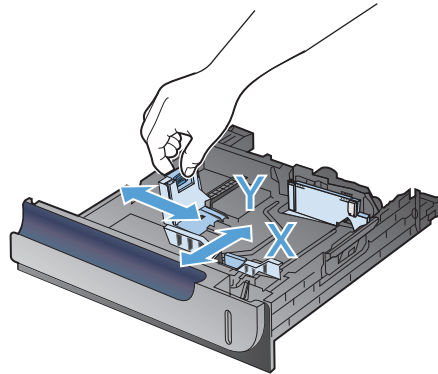
NOTE: If the tray is not adjusted correctly, an error message might display during printing or the paper might jam.



- Slide the tray into the product.



- The control panel shows the tray's paper type and size. If the configuration is not correct, follow the instructions on the control panel to change the size or type.
- For custom-size paper, you need to specify the X and Y dimensions for the paper



Automatic paper sensing (auto-sense mode)

The automatic paper type sensor functions when a tray is configured to the [Any Type](#) or plain type setting.

After it has picked up paper from the tray, the product can detect overhead transparencies, paper weight, and gloss level.

For more control, select a specific paper type for the job or configure the tray for a specific paper type.

Auto-sense settings

- From the Home screen on the product control panel, scroll to and touch the [Administration](#) button.
- Open the following menus:
 - [General Settings](#)
 - [Print Quality](#)
 - [Auto Sense Behavior](#)
- Select one of the auto-sense modes.

Expanded sensing	For the first few sheets of paper that it picks up from the tray, the product detects light paper, plain paper, heavy paper, glossy paper, tough paper, and transparencies. The product assumes the rest of the pages are of the same type.
NOTE: This is the default setting for all trays.	
Transparency only	The product distinguishes between transparencies and non-transparencies. This setting provides the fastest printing, but for some paper types it might reduce print quality.

Optional Tray 3

Tray capacity and paper orientation

To prevent jams, do not overfill trays. Be sure the top of the stack is below the tray-full indicator. For short/narrow and heavy/glossy paper, load paper to less than half of the tray-full indicators.

Table 3-6 Tray 3 capacity

Paper type	Specifications	Quantity
Paper	Range: 60 g/m ² (16 lb) to 220 g/m ² (58 lb)	Equivalent to 500 sheets of 75 g/m ² (20 lb) Maximum stack height: 56 mm (2.2 in)
Labels	Maximum: 0.102 mm (0.004 in) thick	Maximum stack height: 56 mm (2.2 in)
Transparencies	Minimum: 0.102 mm (0.004 in) thick	Maximum stack height: 56 mm (2.2 in)
Glossy paper	Range: 105 g/m ² (28 lb) to 220 g/m ² (58 lb)	Maximum stack height: 56 mm (2.2 in)

Table 3-7 Tray 3 paper orientation

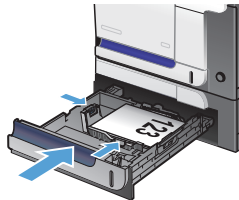
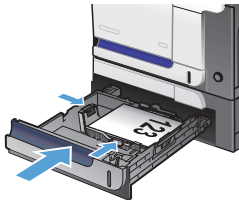
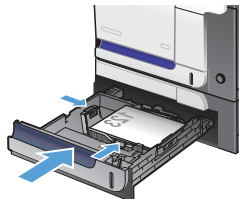
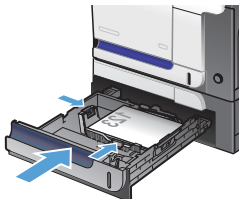
Paper type	Image orientation	Duplex mode	How to load paper	How to load paper
			Alternative Letterhead Mode = Disabled	Alternative Letterhead Mode = Enabled
Preprinted or letterhead	Portrait	1-sided printing	Face-up Top edge at the right side of the tray 	Face-up Top edge at the right side of the tray 
		2-sided printing	Face-down Top edge at the left side of the tray 	Face-down Top edge at the left side of the tray 

Table 3-7 Tray 3 paper orientation (continued)

Paper type	Image orientation	Duplex mode	How to load paper	
			Alternative Letterhead Mode = Disabled	Alternative Letterhead Mode = Enabled
Landscape		1-sided printing	Face-up Top edge toward the back of the product	Face-up Top edge toward the back of the product
		2-sided printing	Face-down Top edge toward the front of the product	Face-down Top edge toward the front of the product
Prepunched	Portrait or landscape	1- or 2-sided printing	Holes toward the back of the product	Not applicable

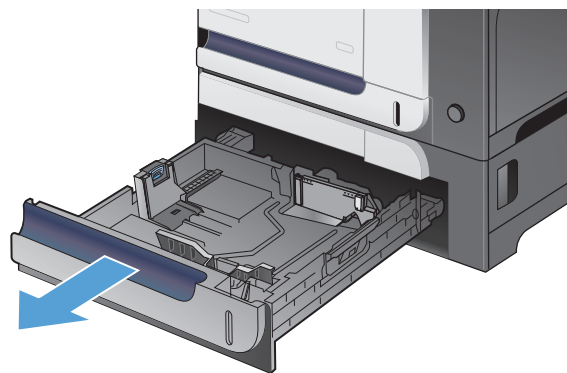
Load Tray 3

This tray holds up to 500 sheets of 75 g/m² (20 lb) paper. If the paper is heavier, the tray does not hold as many sheets. Do not overfill the tray.

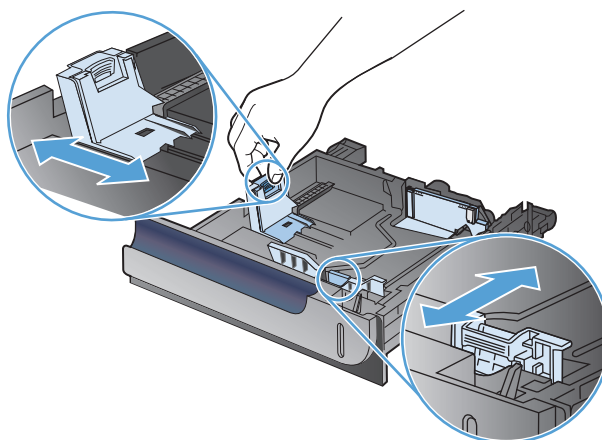
CAUTION: Do not print envelopes, postcards, or unsupported sizes of paper from Tray 3. Print these types of paper only from Tray 1.

1. Slide open the tray.

NOTE: Do not open the tray while it is in use.



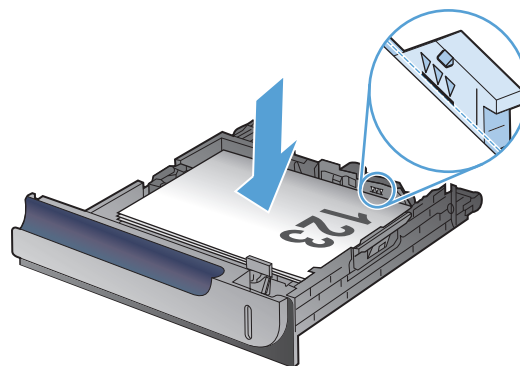
2. Adjust the paper-length and paper-width guides by squeezing the adjustment latches and sliding the guides to the size of the paper being used.



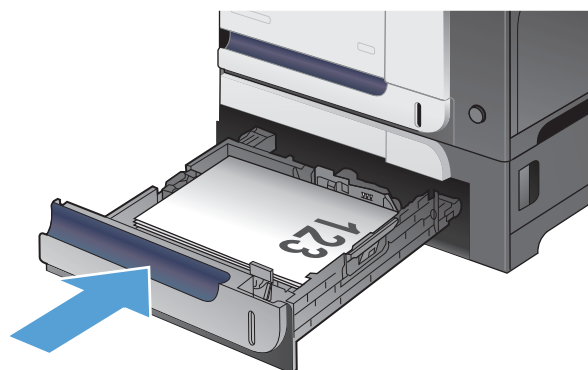
3. Load paper into the tray face-up. Check the paper to verify the guides lightly touch the stack, but do not bend it.

NOTE: To prevent jams, do not overfill the tray. Be sure the top of the stack is below the tray-full indicator.

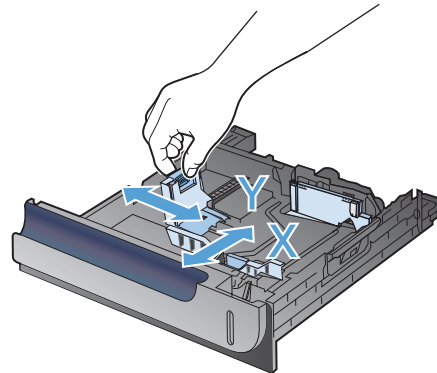
NOTE: If the tray is not adjusted correctly, an error message might display during printing or the paper might jam.



4. Slide the tray into the product.



5. The control panel shows the tray's paper type and size. If the configuration is not correct, follow the instructions on the control panel to change the size or type.
6. For custom-size paper, you need to specify the X and Y dimensions for the paper



Automatic paper sensing (auto-sense mode)

The automatic paper type sensor functions when a tray is configured to the [Any Type](#) or plain type setting.

After it has picked up paper from the tray, the product can detect overhead transparencies, paper weight, and gloss level.

For more control, select a specific paper type for the job or configure the tray for a specific paper type.

Auto-sense settings

1. From the Home screen on the product control panel, scroll to and touch the [Administration](#) button.
2. Open the following menus:
 - [General Settings](#)
 - [Print Quality](#)
 - [Auto Sense Behavior](#)
3. Select one of the auto-sense modes.

<p>Expanded sensing</p> <p>NOTE: This is the default setting for all trays.</p>	<p>For the first few sheets of paper that it picks up from the tray, the product detects light paper, plain paper, heavy paper, glossy paper, tough paper, and transparencies. The product assumes the rest of the pages are of the same type.</p>
<p>Transparency only</p>	<p>The product distinguishes between transparencies and non-transparencies. This setting provides the fastest printing, but for some paper types it might reduce print quality.</p>

Standard output bin

The output bin is located under the document feeder and holds up to 250 sheets of 75 g/m² (20 lb) paper.

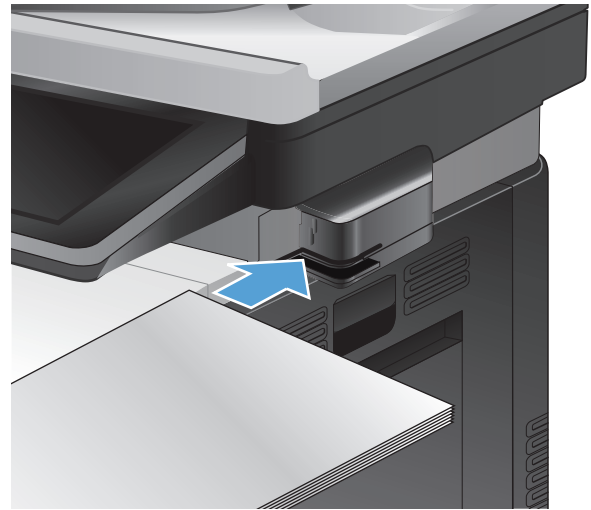
Use the convenience stapler (stapling models only)

Activate the stapling mechanism by inserting paper into the convenience stapler.

1. Insert up to 20 sheets of paper that weighs up to 75 g/m² (20 lb) into the slot in the stapler door. Insert fewer sheets to staple if the paper weight is heavier than 75 g/m² (20 lb).

CAUTION: Do not use the convenience stapler to staple plastic, cardboard, or wood. Damage to the convenience stapler can result from attempting to staple these materials.

NOTE: Exceeding the recommended capacity can result in jams or damage.

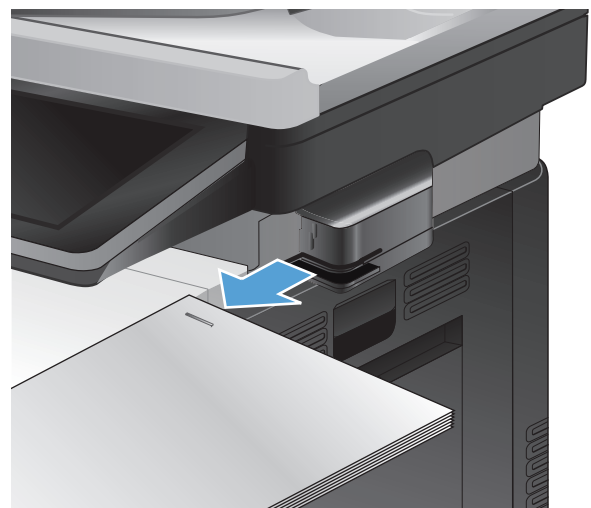


2. Wait for the stapler to staple the sheets. When it is inserted all the way into the stapler slot, the paper should trigger the stapler mechanism.



3. Remove the stapled paper from the slot.

NOTE: If you are unable to remove the paper after stapling, carefully open the stapler door and then slide your document out.



4 Parts, supplies, and accessories


- [Order parts, accessories, and supplies](#)
- [HP policy on non-HP supplies](#)
- [HP anticounterfeit Web site](#)
- [Print when a toner cartridge is at estimated end of life](#)
- [Enable or disable the Very Low Settings options from the control panel](#)
- [Customer self-repair parts](#)
- [Accessories](#)
- [Toner cartridges](#)
- [Toner collection unit](#)
- [Staples \(stapling models only\)](#)

Order parts, accessories, and supplies

Order supplies and paper	www.hp.com/go/suresupply
Order genuine HP parts or accessories	www.hp.com/buy/parts
Order through service or support providers	Contact an HP-authorized service or support provider.
Order using HP software	The HP Embedded Web Server contains a link to the HP SureSupply Web site, which provides options for purchasing Original HP supplies.

HP policy on non-HP supplies

Hewlett-Packard Company cannot recommend the use of non-HP toner cartridges, either new or remanufactured.

 **NOTE:** For HP printer products, the use of a non-HP toner cartridge or a refilled toner cartridge does not affect either the warranty to the customer or any HP support contract with the customer. However, if product failure or damage is attributable to the use of a non-HP toner cartridge or refilled toner cartridge, HP will charge its standard time and materials charges to service the product for the particular failure or damage.

HP anticounterfeit Web site

Go to www.hp.com/go/anticounterfeit when you install an HP toner cartridge and the control-panel message says the cartridge is non-HP. HP will help determine if the cartridge is genuine and take steps to resolve the problem.

Your toner cartridge might not be a genuine HP toner cartridge if you notice the following:

- The supplies status page indicates that a non-HP supply is installed.
- You are experiencing a high number of problems with the cartridge.
- The cartridge does not look like it usually does (for example, the packaging differs from HP packaging).

Print when a toner cartridge is at estimated end of life

<Color> <Supply> Low

This message displays when a supply is nearing the estimated end of its useful life. <Color> is the color of the supply, and <Supply> is the type of supply.

<Color> <Supply> Very Low

This message displays when a supply is at its estimated end of useful life. Print-quality problems can occur when using a supply that is at its estimated end of life.

Enable or disable the Very Low Settings options from the control panel

You can enable or disable the default settings at any time, and you do not have to re-enable them when you install a new cartridge.

1. From the Home screen on the product control panel, scroll to and touch the [Administration](#) button.
2. Open the following menus:
 - [Manage Supplies](#)
 - [Supply Settings](#)
3. Open one of the following options:
 - [Black Cartridge](#)
 - [Color Cartridges](#)
 - [Toner Collection Unit](#)
 - [Fuser Kit](#)
 - [Document Feeder Kit](#)
4. Select one of the following options:
 - Select the [Stop](#) option to set the product to stop printing (including printing faxes) until you replace the cartridge.
 - Select the [Prompt to continue](#) option to set the product to stop printing (including printing faxes) and prompt you to replace the cartridge. You can acknowledge the prompt and continue printing.
 - Select the [Continue](#) option to set the product to alert you that the cartridge is very low, but to continue printing.



NOTE: Using the [Continue](#) setting allows printing beyond Very Low without customer interaction and can result in unsatisfactory print quality.

If you select the [Stop](#) or [Prompt to continue](#) option, the product stops printing when it reaches the Very Low threshold. When you replace the cartridge, the product automatically resumes printing.

When the product is set to the [Stop](#) or [Prompt to continue](#) option, there is some risk that faxes will not print when the product resumes printing. This can occur if the product has received more faxes than the memory can hold while the product is waiting.

The product can print faxes without interruption when it passes the Very Low threshold if you select the [Continue](#) option for color and black cartridges, but print quality might degrade.

Once an HP supply has reached Very Low, HP's premium Protection Warranty on that supply has ended.

Customer self-repair parts

The following customer self-repair parts are available for the product.

- Parts listed as **Mandatory** self-replacement are to be installed by customers, unless you are willing to pay HP service personnel to perform the repair. For these parts, on-site or return-to-depot support is not provided under the HP product warranty.
- Parts listed as **Optional** self-replacement can be installed by HP service personnel at your request for no additional charge during the product warranty period.


 **NOTE:** For more information, go to www.hp.com/go/learnaboutsupplies.

Table 4-1 Customer self-repair parts

Item	Description	Self-replacement options	Part number
110V fuser kit	Replacement fuser	Mandatory	CD644-67906
220V fuser kit	Replacement fuser	Mandatory	CD644-67907
Document-feeder roller maintenance kit	Roller maintenance kit for the document feeder	Mandatory	L2725-60002
Right-door kit	500-sheet-tray right door, door stopper, and door link	Mandatory	CC468-67906
Control-panel kit	Replacement control panel	Mandatory	CD644-67916
HP LaserJet MFP Analog Fax Accessory 500	Provides fax capability for the product	Mandatory	CC478-67901
Tray 2 and 3 roller kit	Feed and separation rollers for Tray 2 and Tray 3	Mandatory	CD644-67904
Tray 1 roller kit	Pickup roller and separation pad for Tray 1	Mandatory	CD644-67903
Formatter assembly kit (all countries/regions except China)	Replacement formatter (requires you to exchange the previous formatter)	Mandatory	CD644-67909
Formatter assembly kit (China only)	Replacement formatter (requires you to exchange the previous formatter)	Mandatory	CD644-67910
Hard disk drive kit	Replacement HP High Performance Secure Hard Disk	Optional	CD644-67912
Hard disk drive kit	Replacement HP High Performance Secure Hard Disk (Government option)	Optional	CD644-67913
Front door assembly	Replacement front door	Mandatory	CD644-67902
Duplex reverse-guide kit	Replacement duplex reverse guide	Mandatory	CC468-67913
Secondary transfer-roller kit	Replacement T2 roller	Mandatory	CD644-67914

Table 4-1 Customer self-repair parts (continued)

Item	Description	Self-replacement options	Part number
Intermediate transfer belt (ITB) kit	Replacement ITB	Mandatory	CD644-67908
Toner collection unit (TCU) kit	Replacement TCU	Mandatory	CE254A
Foam-reflector kit	Replacement white backing under the scanner lid	Optional	5851-4878
Document-feeder separation-pad spring	Replacement spring for the document-feeder separation pad	Optional	5851-4879

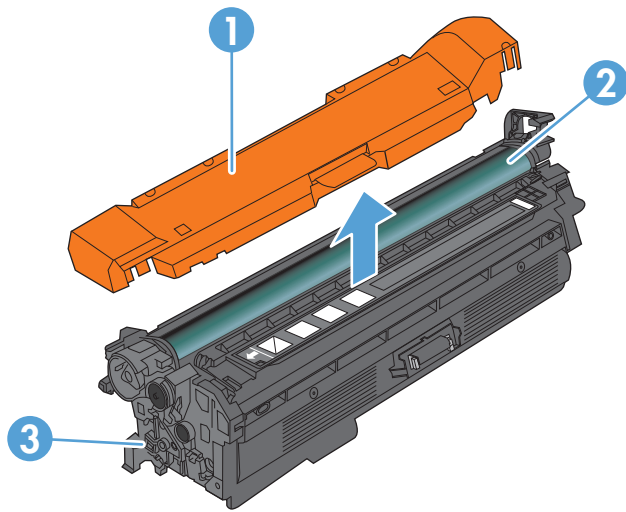
Accessories

Item	Description	Part number
HP Color LaserJet 1 x 500 Paper Feeder	500-sheet paper feeder (optional Tray 3)	CF084A
HP LaserJet MFP Analog Fax Accessory 500	Provides fax capability for the product. Included with the M575f model.	CC478-67901
HP LaserJet Printer Cabinet	A storage cabinet that is installed beneath the product	CF085A
HP Jetdirect print servers	HP Jetdirect ew2500 Wireless Print Server	J8021A
	HP Jetdirect 2700w USB Wireless Print Server	J8026A
USB cable	2-meter standard USB-compatible device connector	C6518A

Toner cartridges

- [Toner cartridge view](#)
- [Toner cartridge information](#)
- [Replace the toner cartridges](#)

Toner cartridge view



1	Plastic shield
2	Imaging drum CAUTION: Do not touch the green roller. Doing so can damage the cartridge
3	Memory chip

Toner cartridge information

Color	Cartridge number	Part number
Standard-capacity replacement black toner cartridge	507A	CE400A
High-capacity replacement black toner cartridge	507X	CE400X
Replacement cyan toner cartridge	507A	CE401A
Replacement yellow toner cartridge	507A	CE402A
Replacement magenta toner cartridge	507A	CE403A

Environmental features: Recycle toner cartridges by using the HP Planet Partners return and recycling program.

For more information about supplies, go to www.hp.com/go/learnaboutsupplies.

The information contained herein is subject to change without notice. For the latest supplies information go to www.hp.com/go/lj500colorMFPM575_manuals.

Recycle toner cartridges

To recycle a genuine HP toner cartridge, place the used cartridge in the box in which the new cartridge arrived. Use the enclosed return label to send the used supply to HP for recycling. For complete information, see the recycling guide that is included with each new HP supply item.

Toner-cartridge storage

Do not remove the toner cartridge from its package until you are ready to use it.

CAUTION: To prevent damage to the toner cartridge, do not expose it to light for more than a few minutes. Cover the imaging drum if the toner cartridge must be removed from the product for an extended period of time.

HP policy on non-HP toner cartridges

Hewlett-Packard Company cannot recommend the use of non-HP toner cartridges, either new or remanufactured.

NOTE: Any damage caused by a non-HP toner cartridge is not covered under the HP warranty and service agreements.

Replace the toner cartridges

The product uses four colors and has a different toner cartridge for each color: black (K), magenta (M), cyan (C), and yellow (Y).

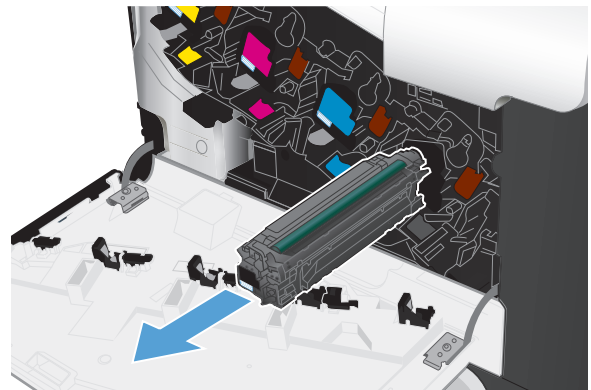
⚠ CAUTION: If toner gets on clothing, wipe it off by using a dry cloth and wash the clothes in cold water. Hot water sets toner into fabric.

📄 NOTE: Information about recycling used toner cartridges is on the toner cartridge box.

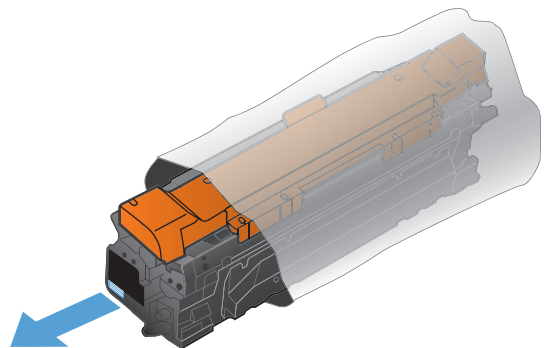
1. Open the front door. Make sure that the door is completely open.



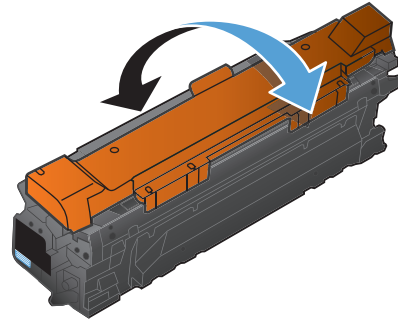
2. Grasp the handle of the used toner cartridge and pull out to remove.



3. Remove the new toner cartridge from its protective bag.



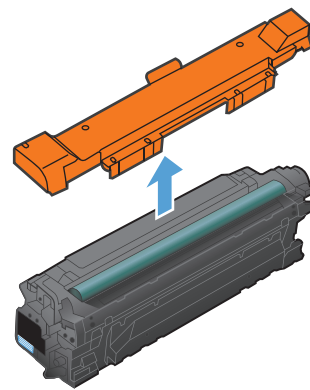
4. Grasp both sides of the toner cartridge and distribute the toner by gently rocking the toner cartridge.



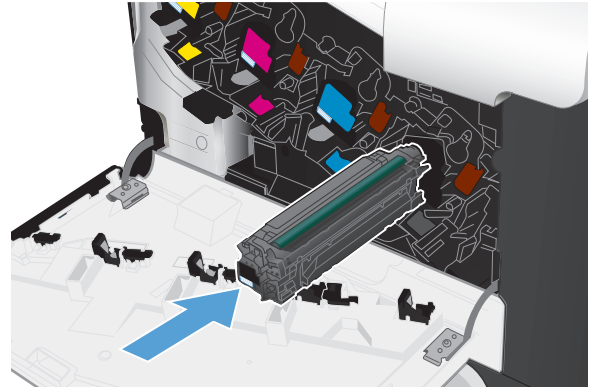
5. Remove the plastic shield from the toner cartridge.

CAUTION: Avoid prolonged exposure to light.

CAUTION: Do not touch the green roller. Doing so can damage the cartridge.



6. Align the toner cartridge with its slot and insert the toner cartridge until it clicks into place.



7. Close the front door.




Toner collection unit


Item	Description	Part number
Toner Collection Unit	Receptacle for waste toner	CE254A

For more information, go to www.hp.com/go/learnaboutsupplies.

Replace the toner collection unit

Replace the toner collection unit when the product control panel prompts you.

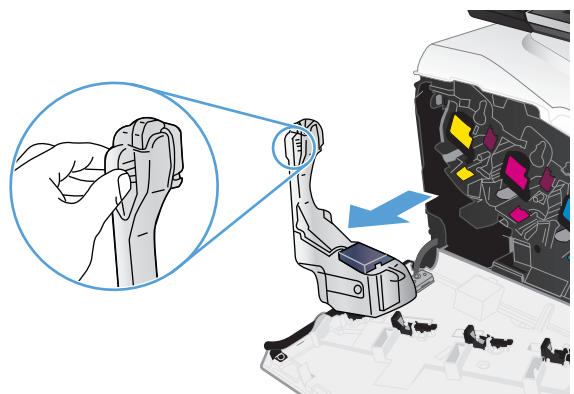
 **NOTE:** The toner collection unit is designed for a single use. Do not attempt to empty the toner collection unit and reuse it. Doing so could lead to toner being spilled inside the product, which could result in reduced print quality. After use, return the toner collection unit to HP's Planet Partners program for recycling.

 **NOTE:** If printing documents that require heavy toner coverage, the toner collection unit can fill quickly. If printing these types of documents, HP recommends that you have another toner collection unit available.

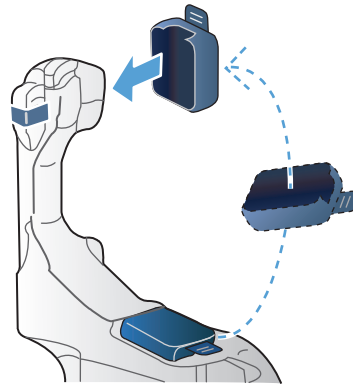
1. Open the front door. Make sure that the door is completely open.



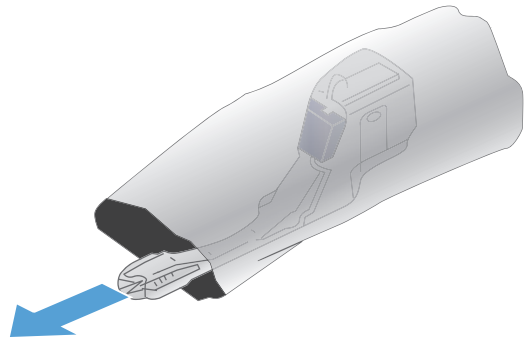
2. Grasp the blue label at the top of the toner collection unit, and then remove the toner collection unit from the product.



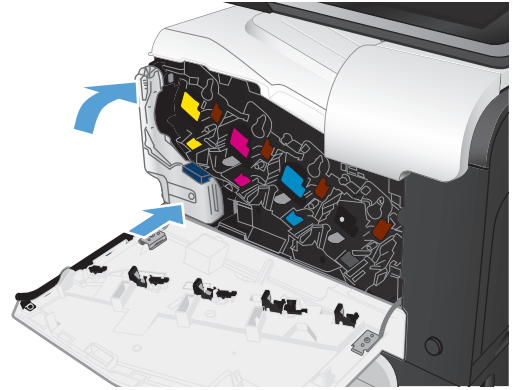
3. Place the attached blue cap over the blue opening at the top of the unit.



4. Remove the new toner collection unit from its packaging.



5. Insert the bottom of the new unit into the product first, and then push the top of the unit until it clicks into place.



6. Close the front door.

NOTE: If the toner collection unit is not installed correctly, the front door does not close completely.



To recycle the used toner collection unit, follow the instructions included with the new toner collection unit.

Staples (stapling models only)

Item	Description	Part number
Staple cartridge	Pack of two staple cartridges. Each cartridge holds 1,500 unformed staples.	Q7432A

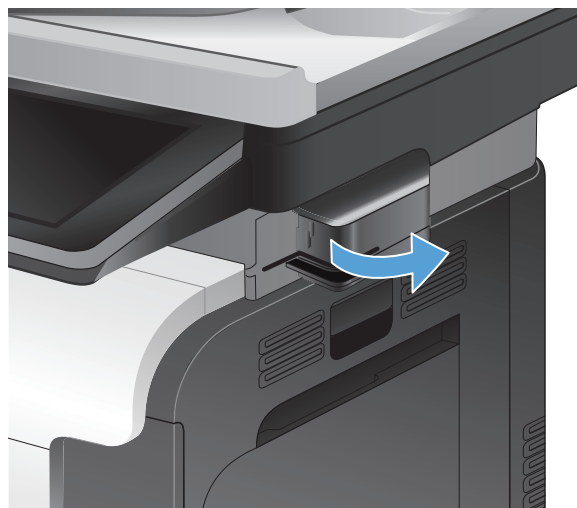
For more information, go to www.hp.com/go/learnaboutsupplies.

Load staples

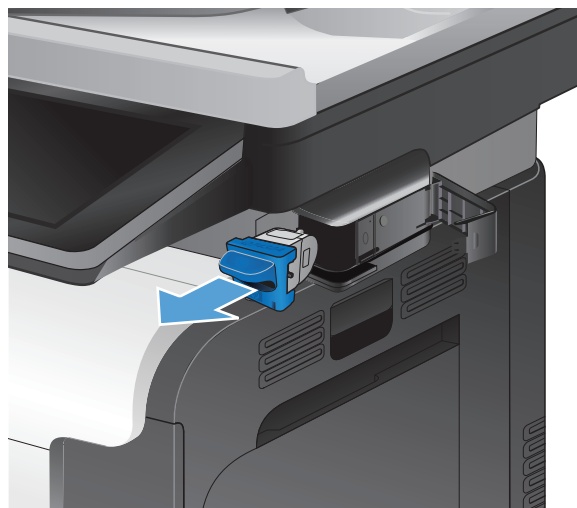
1. Open the stapler door.

NOTE: Opening the stapler door disables the stapler.

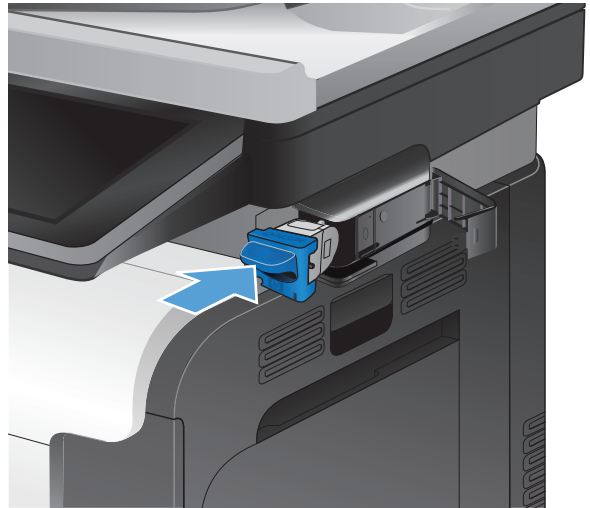
Instructions and replacement staples part numbers are listed on the stapler door.



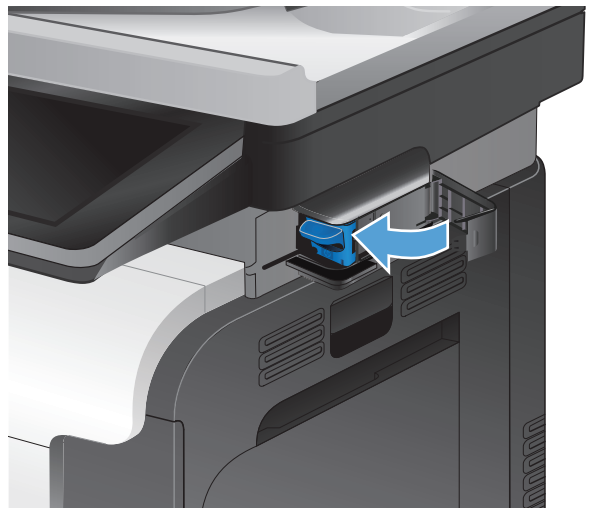
2. If you are replacing a staple cartridge (for example, if the staple cartridge has run out of staples), remove the staple cartridge from the product.



3. Insert a new staple cartridge into the opening inside the stapler door.



4. Close the stapler door.



5 Print

- [Supported print drivers \(Windows\)](#)
- [Change print-job settings \(Windows\)](#)
- [Change print-job settings \(Mac OS X\)](#)
- [Print tasks \(Windows\)](#)
- [Print tasks \(Mac OS X\)](#)
- [Additional print tasks \(Windows\)](#)
- [Additional print tasks \(Mac OS X\)](#)
- [Color printing](#)
- [Store print jobs on the product](#)
- [Add a job-separator page \(Windows\)](#)
- [Use HP ePrint](#)
- [Use the HP ePrint Mobile Driver](#)
- [Use Apple AirPrint](#)
- [Use HP Smart Print \(Windows\)](#)
- [Use easy-access USB printing](#)

Supported print drivers (Windows)

Print drivers provide access to the product features and allow the computer to communicate with the product (using a printer language). The following print drivers are available at www.hp.com/go/lj500colorMFP575_software.

HP PCL 6 driver

- Provided as the default driver on the in-box CD. This driver is automatically installed unless you select a different one.
- Recommended for all Windows environments
- Provides the overall best speed, print quality, and product-feature support for most users
- Developed to align with the Windows Graphic Device Interface (GDI) for the best speed in Windows environments
- Might not be fully compatible with third-party and custom software programs that are based on PCL 5

HP UPD PS driver

- Recommended for printing with Adobe® software programs or with other highly graphics-intensive software programs
- Provides support for printing from postscript emulation needs, or for postscript flash font support

HP UPD PCL 5

- Recommended for general office printing in Windows environments
- Compatible with previous PCL versions and older HP LaserJet products
- The best choice for printing from third-party or custom software programs
- The best choice when operating with mixed environments, which require the product to be set to PCL 5 (UNIX, Linux, mainframe)
- Designed for use in corporate Windows environments to provide a single driver for use with multiple product models
- Preferred when printing to multiple product models from a mobile Windows computer

HP UPD PCL 6

- Recommended for printing in all Windows environments
 - Provides the overall best speed, print quality, and printer feature support for most users
 - Developed to align with Windows Graphic Device Interface (GDI) for best speed in Windows environments
 - Might not be fully compatible with third-party and custom software programs that are based on PCL 5
-

HP Universal Print Driver (UPD)

The HP Universal Print Driver (UPD) for Windows is a single print driver that gives you instant access to virtually any HP LaserJet product, from any location, without downloading separate drivers. It is built on

proven HP print driver technology and has been tested thoroughly and used with many software programs. It is a powerful solution that performs consistently over time.

The HP UPD communicates directly with each HP product, gathers configuration information, and then customizes the user interface to show the product's unique, available features. It automatically enables features that are available for the product, such as two-sided printing and stapling, so you do not need to enable them manually.

For more information, go to www.hp.com/go/upd.

UPD installation modes

Traditional mode	<ul style="list-style-type: none">• To use this mode, download UPD from the Internet. Go to www.hp.com/go/upd.• Use this mode if you are installing the driver for a single computer.• It operates with a specific product.• If you use this mode, you must install UPD separately for each computer and for each product.
Dynamic mode	<ul style="list-style-type: none">• To use this mode, download UPD from the Internet. Go to www.hp.com/go/upd.• Dynamic mode allows you to use a single driver installation, so you can discover and print to HP products in any location.• Use this mode if you are installing UPD for a workgroup.

Change print-job settings (Windows)

Change the settings for all print jobs until the software program is closed

The steps can vary; this procedure is most common.

1. From the software program, select the **Print** option.
2. Select the product, and then click **Properties** or **Preferences**.

Change the default settings for all print jobs

1. **Windows XP, Windows Server 2003, and Windows Server 2008 (using the default Start menu view):** Click **Start**, and then click **Printers and Faxes**.

Windows XP, Windows Server 2003, and Windows Server 2008 (using the Classic Start menu view): Click **Start**, click **Settings**, and then click **Printers**.

Windows Vista: Click the Windows icon in the lower-left corner of the screen, click **Control Panel**, and then click **Printers**.

Windows 7: Click the Windows icon in the lower-left corner of the screen, and then click **Devices and Printers**.

2. Right-click the print-driver icon, and then select **Printing Preferences**.

Change the product configuration settings

1. **Windows XP, Windows Server 2003, and Windows Server 2008 (using the default Start menu view):** Click **Start**, and then click **Printers and Faxes**.

Windows XP, Windows Server 2003, and Windows Server 2008 (using the Classic Start menu view): Click **Start**, click **Settings**, and then click **Printers**.

Windows Vista: Click the Windows icon in the lower-left corner of the screen, click **Control Panel**, and then click **Printers**.

Windows 7: Click the Windows icon in the lower-left corner of the screen, and then click **Devices and Printers**.

2. Right-click the print-driver icon, and then select **Properties** or **Printer properties**.
3. Click the **Device Settings** tab.

Change print-job settings (Mac OS X)

Change the settings for all print jobs until the software program is closed


1. Click the **File** menu, and then click the **Print** option.
2. In the **Printer** menu, select the product.
3. By default, the print driver displays the **Copies & Pages** menu. Open the menus drop-down list, and then open a menu for which you want to change the print settings.
4. For each menu, select the print settings that you want to change.
5. Change the settings that you want on the various menus.

Change the default settings for all print jobs

1. Click the **File** menu, and then click the **Print** option.
2. In the **Printer** menu, select the product.
3. By default, the print driver displays the **Copies & Pages** menu. Open the menus drop-down list, and then open a menu for which you want to change the print settings.
4. For each menu, select the print settings that you want to save for reuse.
5. In the **Presets** menu, click the **Save As...** option, and enter a name for the preset.
6. Click the **OK** button.

These settings are saved in the **Presets** menu. To use the new settings, you must select the saved preset option every time you open a program and print.

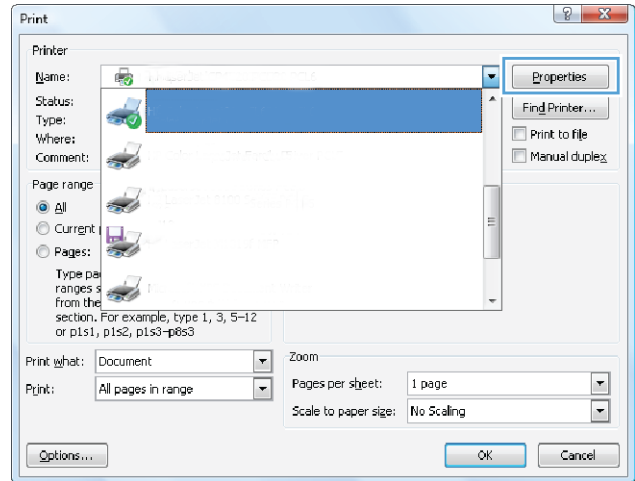
Change the product configuration settings

1. At the computer, open the Apple  menu, click the **System Preferences** menu, and then click the **Print & Fax** icon (OS X v10.5 and 10.6) or the **Print & Scan** icon (OS X v10.7).
2. Select the product in the left side of the window.
3. Click the **Options & Supplies** button.
4. Click the **Driver** tab.
5. Configure the installed options.

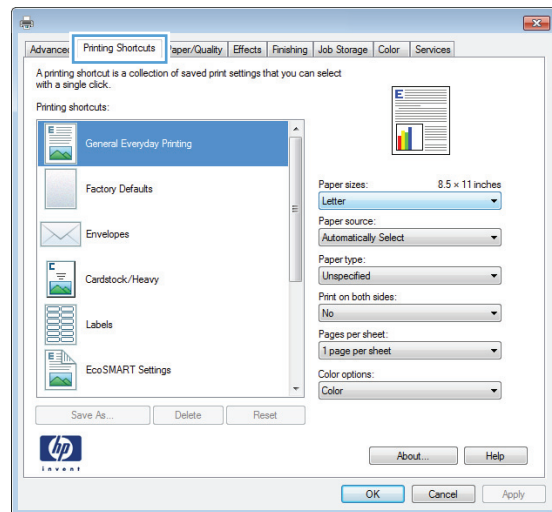
Print tasks (Windows)

Use a printing shortcut (Windows)

1. From the software program, select the **Print** option.
2. Select the product, and then click the **Properties** or **Preferences** button.

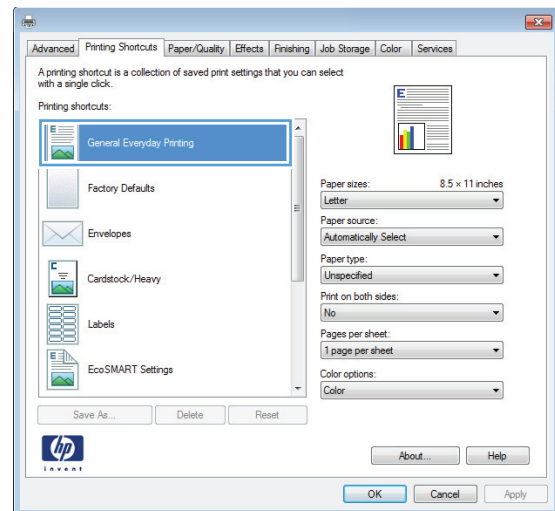


3. Click the **Printing Shortcuts** tab.

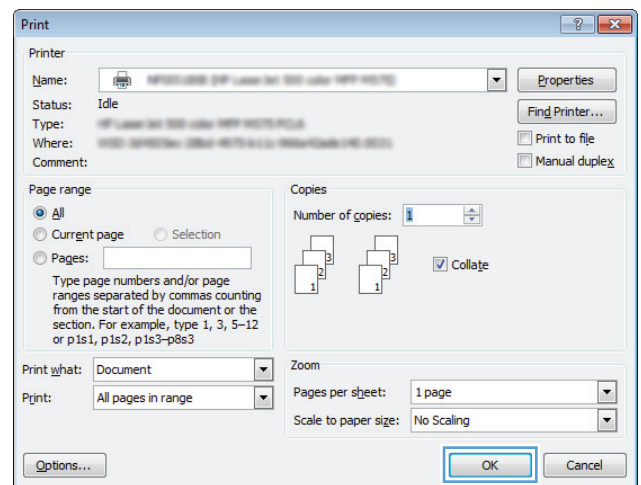


4. Select one of the shortcuts. Click the **OK** button to close the **Document Properties** dialog box.

NOTE: When you select a shortcut, the corresponding settings change on the other tabs in the print driver.

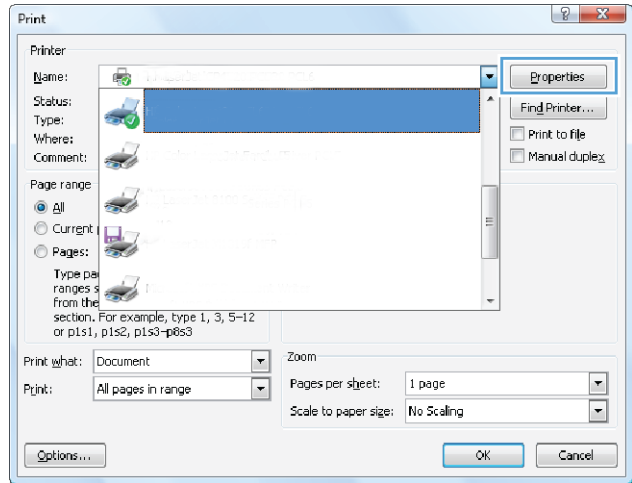


5. In the **Print** dialog box, click the **OK** button to print the job.

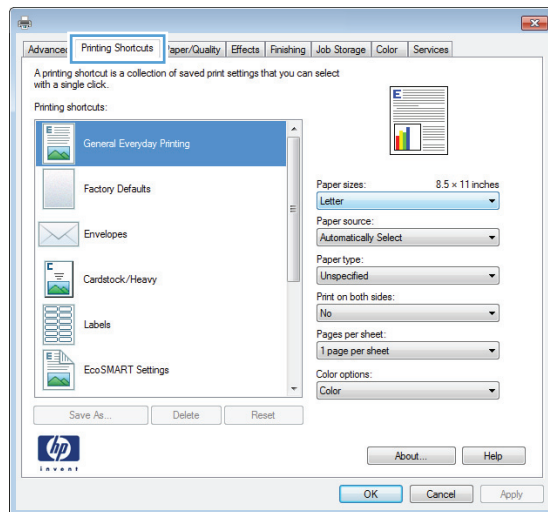


Create printing shortcuts (Windows)

1. From the software program, select the **Print** option.
2. Select the product, and then click the **Properties** or **Preferences** button.

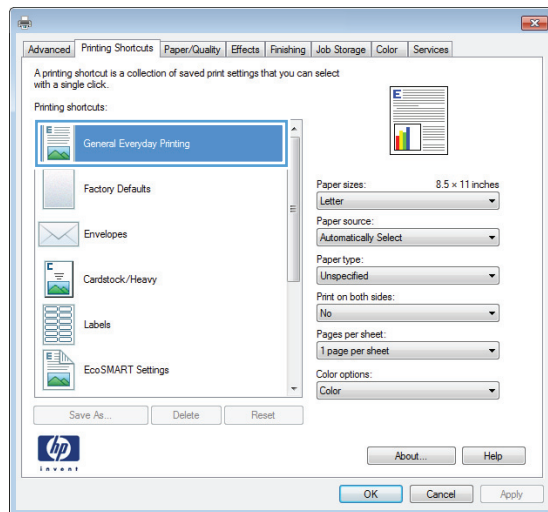


3. Click the **Printing Shortcuts** tab.

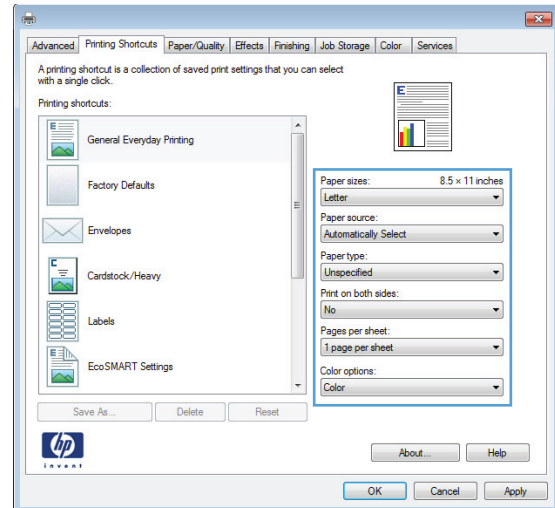


4. Select an existing shortcut as a base.

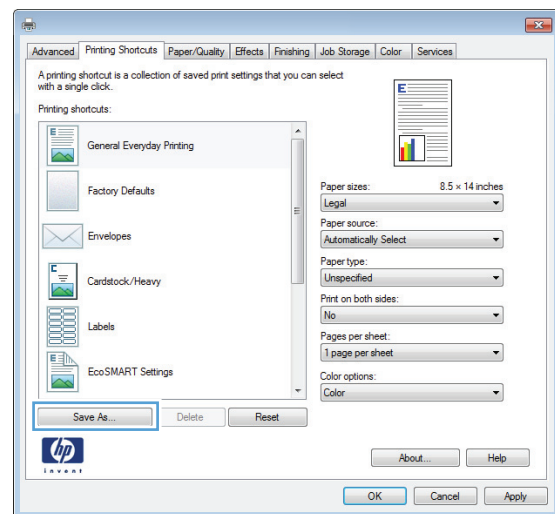
NOTE: Always select a shortcut before adjusting any of the settings on the right side of the screen. If you adjust the settings and then select a shortcut, all your adjustments are lost.



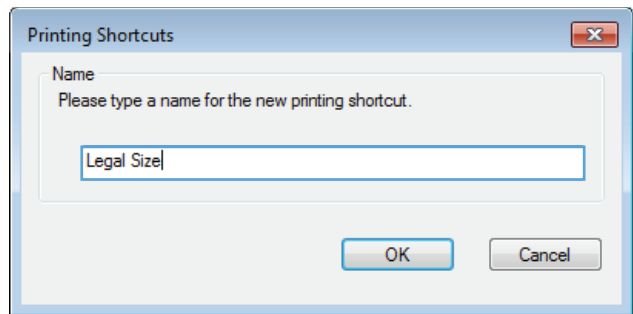
5. Select the print options for the new shortcut.



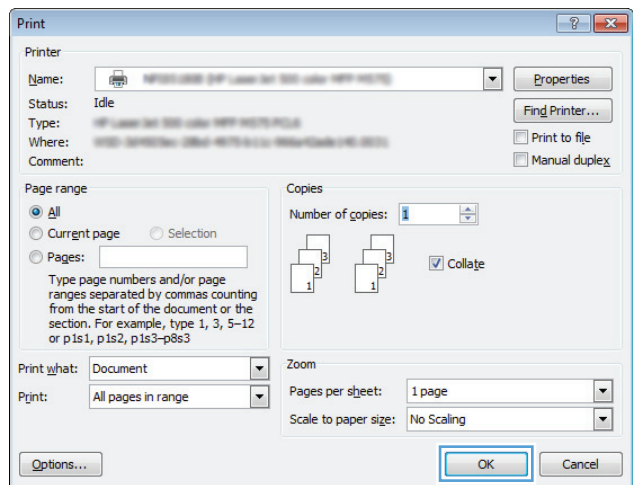
6. Click the **Save As** button.



7. Enter a name for the shortcut, and then click the **OK** button.

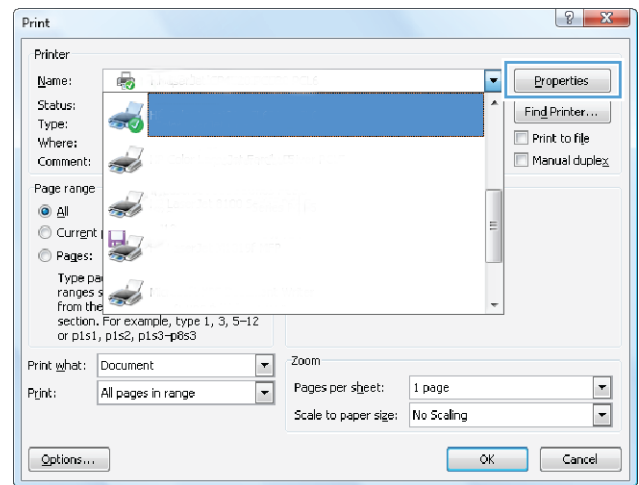


8. Click the **OK** button to close the **Document Properties** dialog box. In the **Print** dialog box, click the **OK** button to print the job.

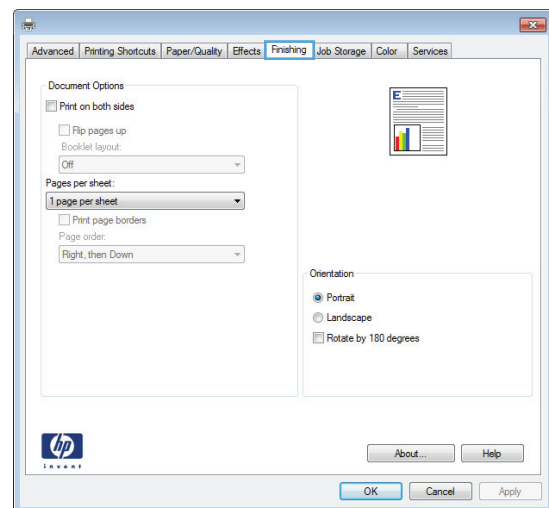


Automatically print on both sides (Windows)

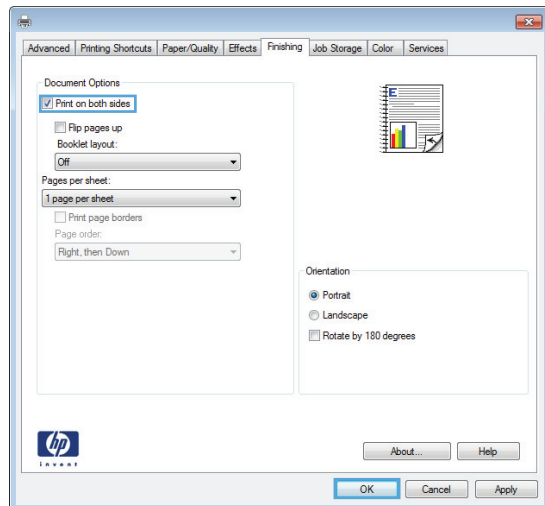
1. From the software program, select the **Print** option.
2. Select the product, and then click the **Properties** or **Preferences** button.



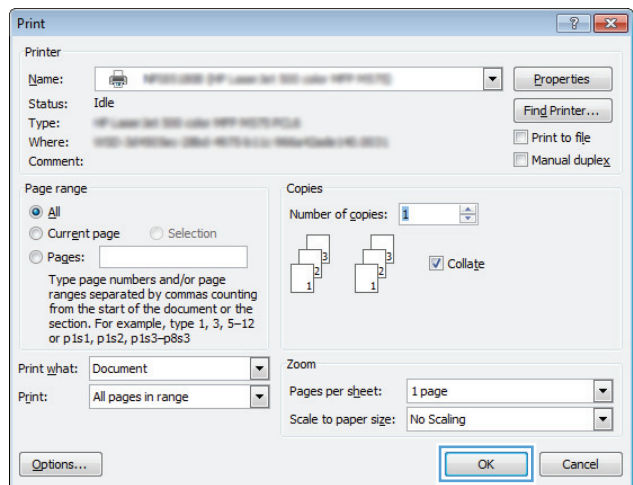
3. Click the **Finishing** tab.



4. Select the **Print on both sides** check box. Click the **OK** button to close the **Document Properties** dialog box.

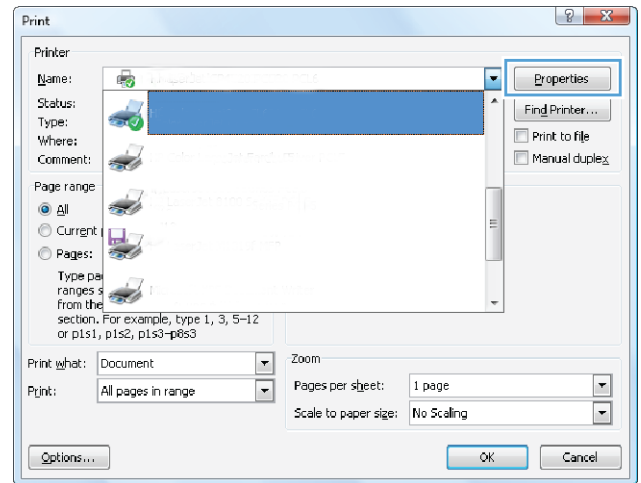


5. In the **Print** dialog box, click the **OK** button to print the job.

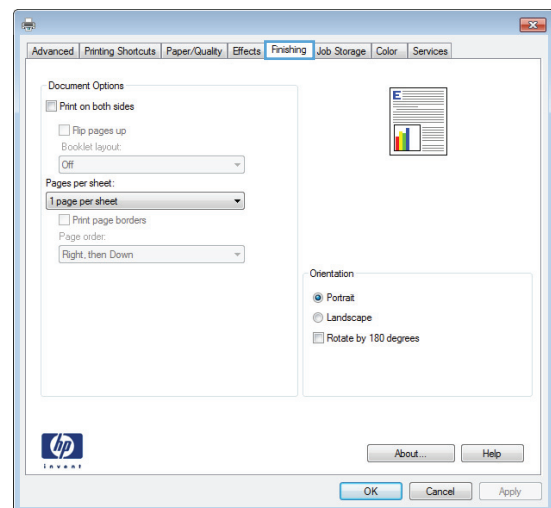


Print multiple pages per sheet (Windows)

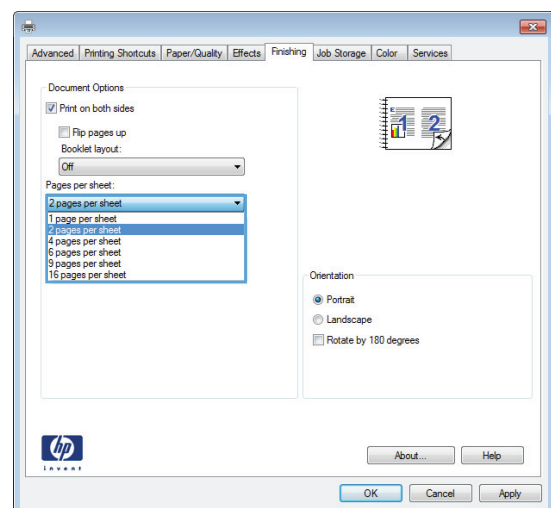
1. From the software program, select the **Print** option.
2. Select the product, and then click the **Properties** or **Preferences** button.



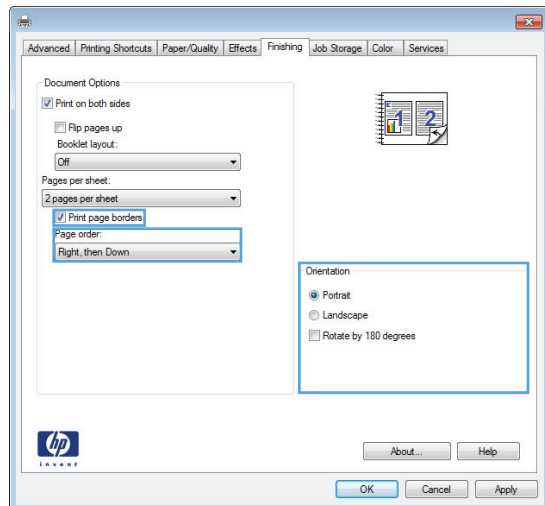
3. Click the **Finishing** tab.



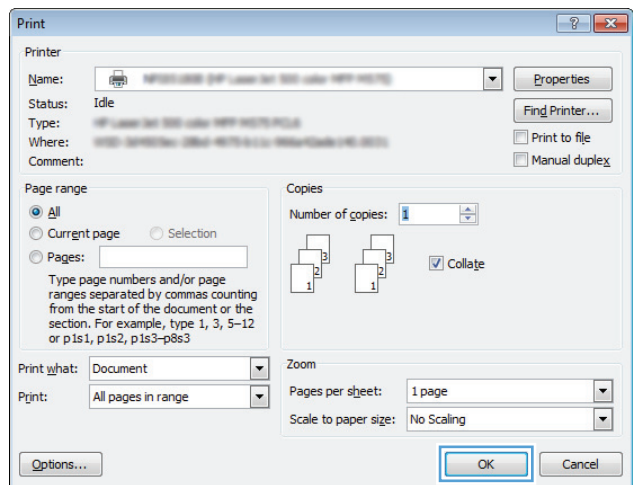
4. Select the number of pages per sheet from the **Pages per sheet** drop-down list.



5. Select the correct **Print page borders**, **Page order**, and **Orientation** options. Click the **OK** button to close the **Document Properties** dialog box.

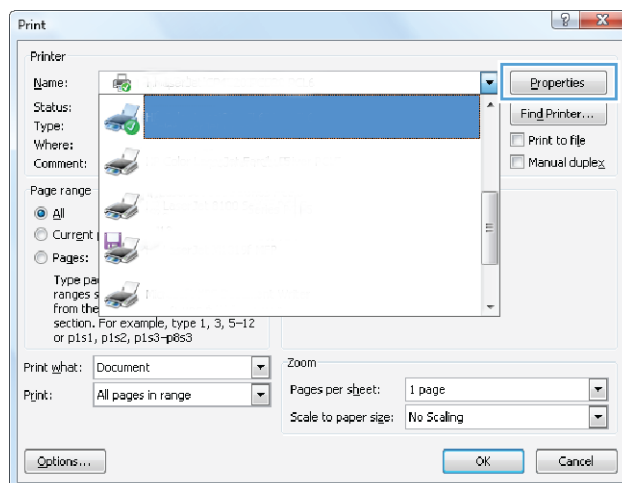


6. In the **Print** dialog box, click the **OK** button to print the job.

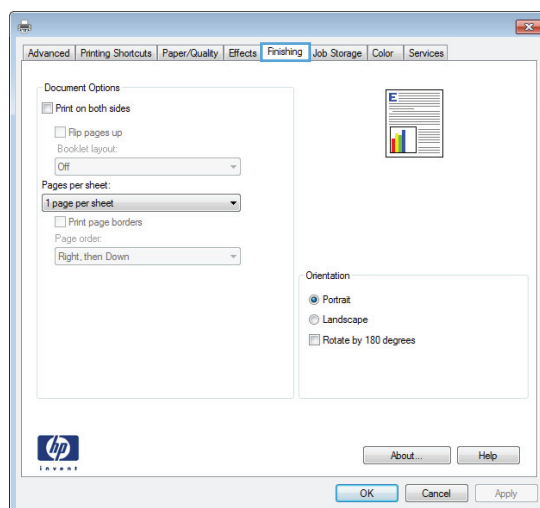


Select the page orientation (Windows)

1. From the software program, select the **Print** option.
2. Select the product, and then click the **Properties** or **Preferences** button.



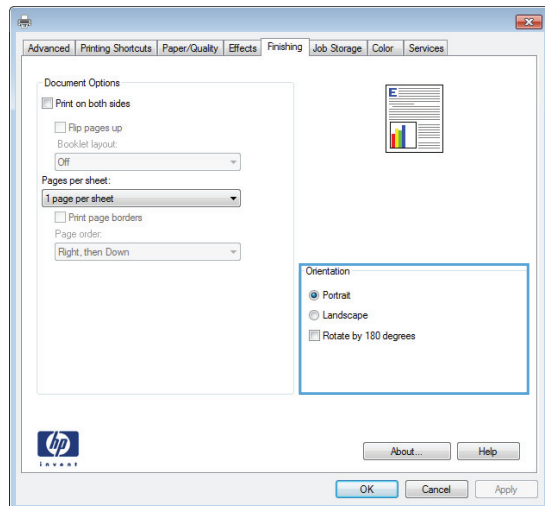
3. Click the **Finishing** tab.



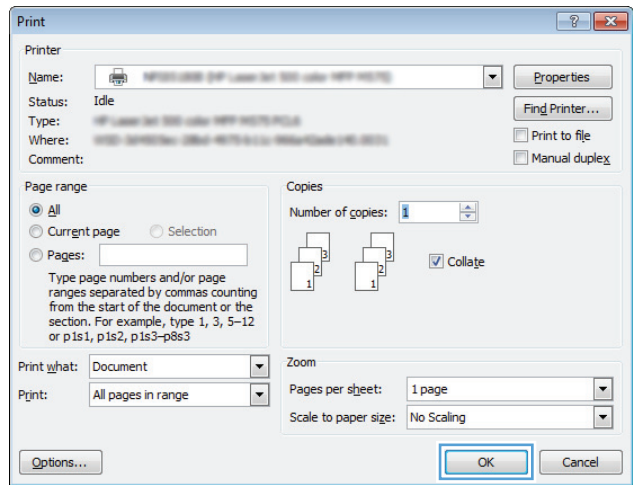
4. In the **Orientation** area, select the **Portrait** or **Landscape** option.

To print the page image upside down, select the **Rotate by 180 degrees** option.

Click the **OK** button to close the **Document Properties** dialog box.

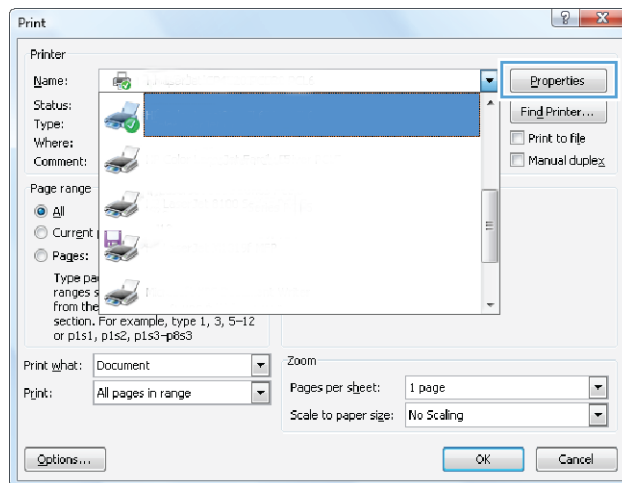


5. In the **Print** dialog box, click the **OK** button to print the job.

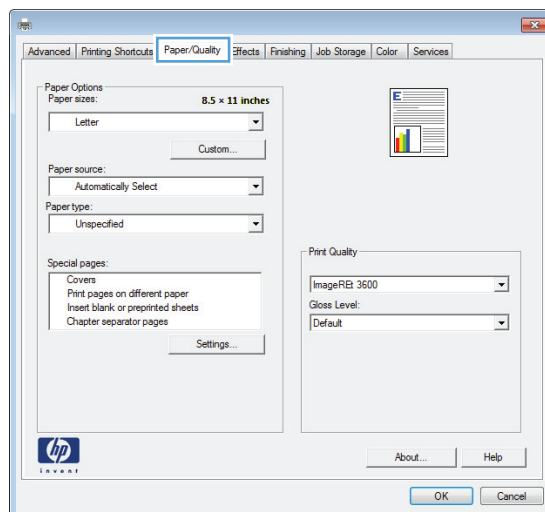


Select the paper type (Windows)

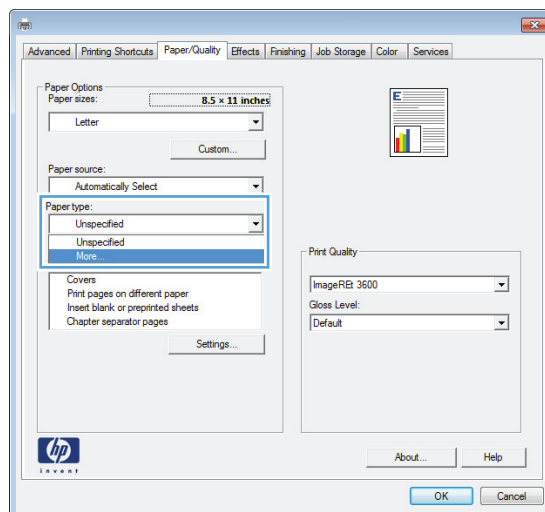
1. From the software program, select the **Print** option.
2. Select the product, and then click the **Properties** or **Preferences** button.



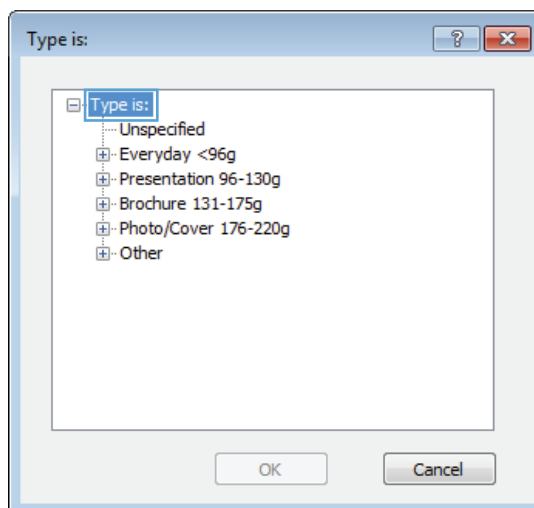
3. Click the **Paper/Quality** tab.



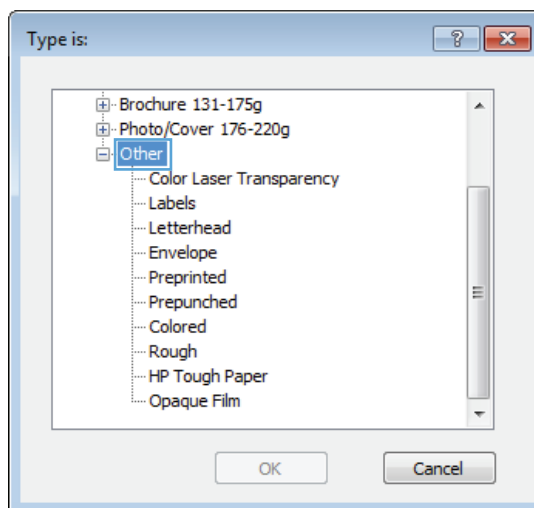
4. From the **Paper type** drop-down list, click the **More...** option.



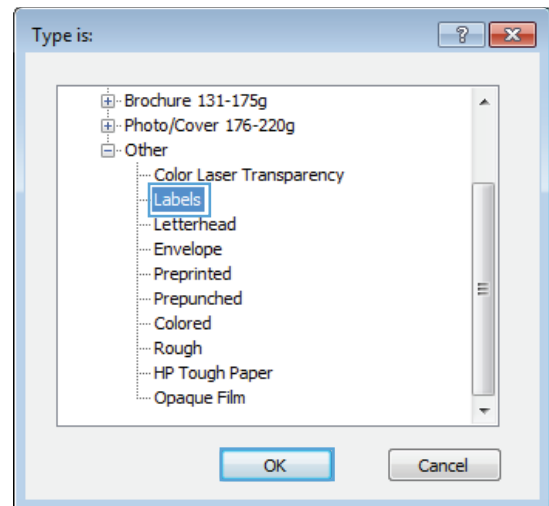
5. Expand the list of **Type is:** options.



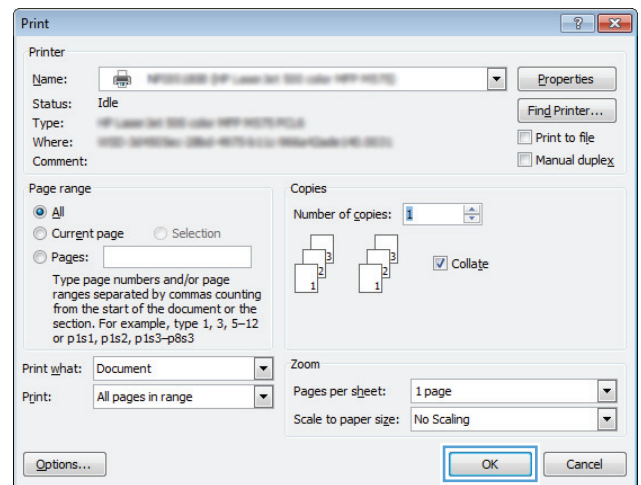
6. Expand the category of paper types that best describes your paper.



7. Select the option for the type of paper you are using, and click the **OK** button.

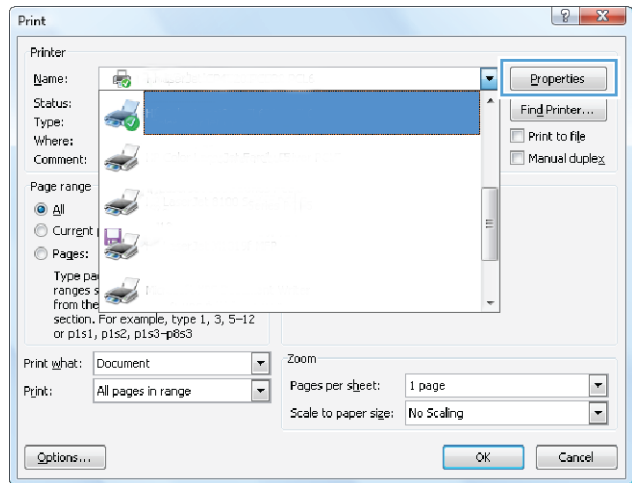


8. Click the **OK** button to close the **Document Properties** dialog box. In the **Print** dialog box, click the **OK** button to print the job.

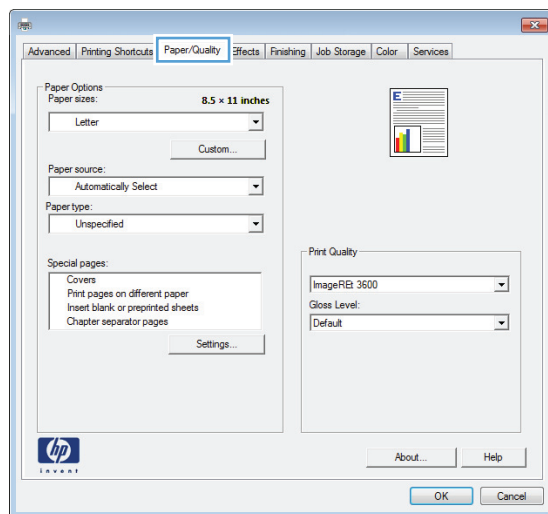


Print the first or last page on different paper (Windows)

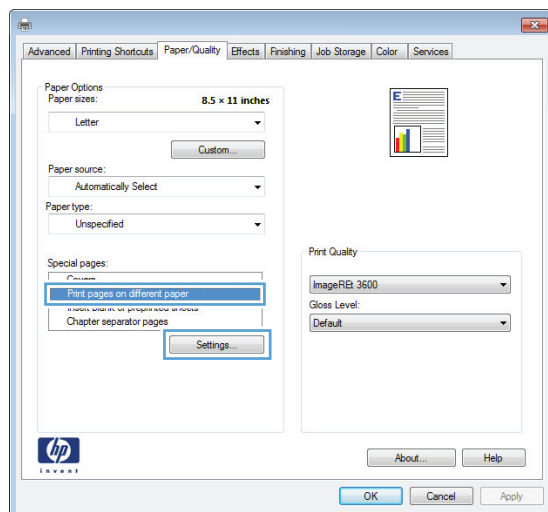
1. From the software program, select the **Print** option.
2. Select the product, and then click the **Properties** or **Preferences** button.



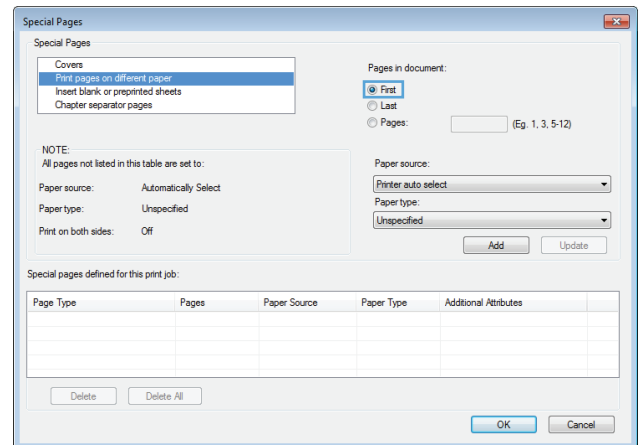
3. Click the **Paper/Quality** tab.



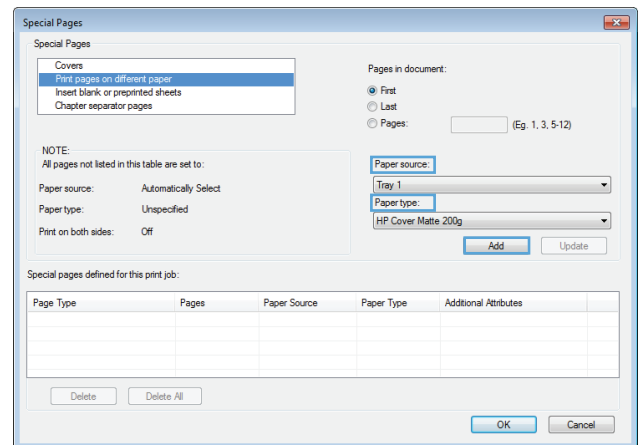
4. In the **Special pages** area, click the **Print pages on different paper** option, and then click the **Settings** button.



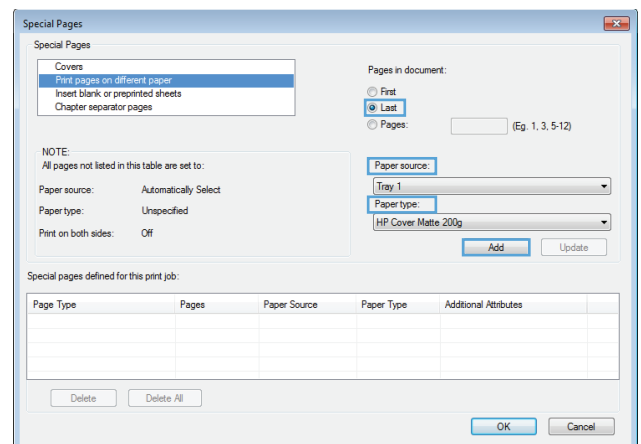
- In the **Pages in document** area, select either the **First** or **Last** option.



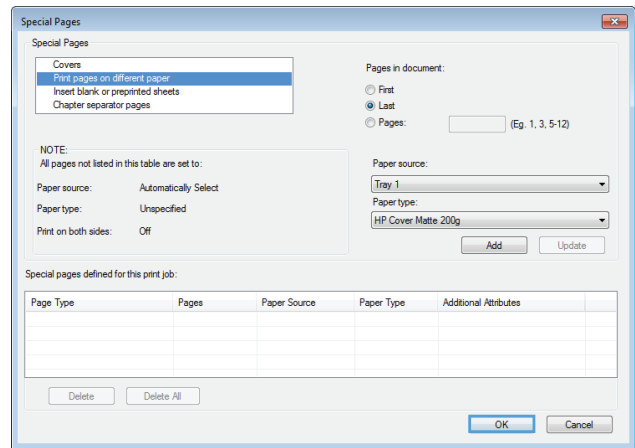
- Select the correct options from the **Paper source** and **Paper type** drop-down lists. Click the **Add** button.



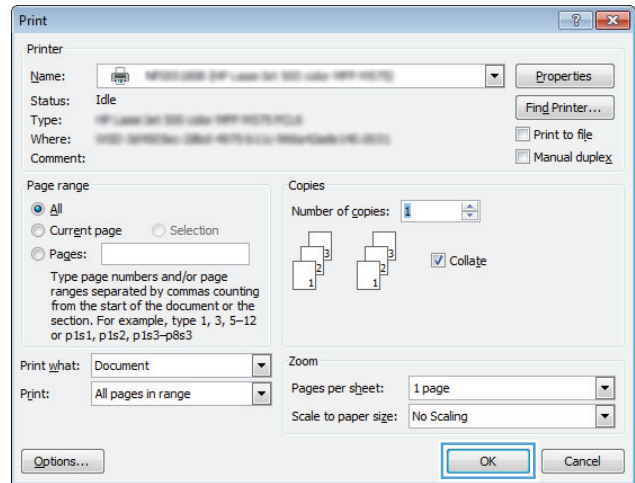
- If you are printing *both* the first and last pages on different paper, repeat steps 5 and 6, selecting the options for the other page.



8. Click the **OK** button.

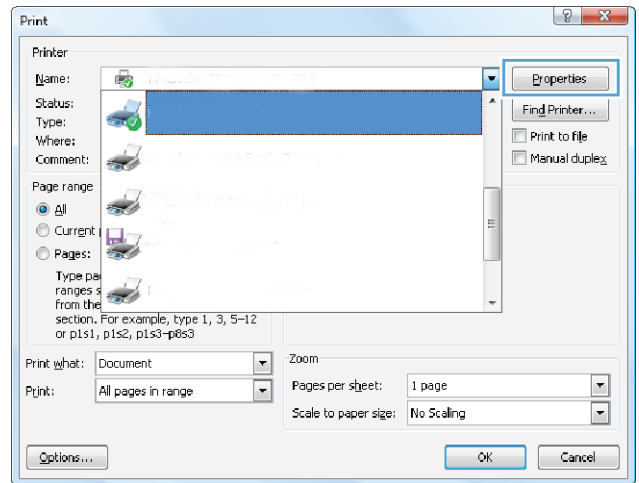


9. Click the **OK** button to close the **Document Properties** dialog box. In the **Print** dialog box, click the **OK** button to print the job.

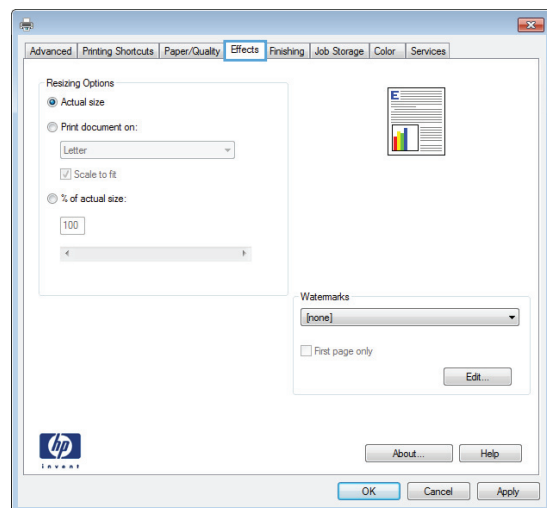


Scale a document to fit page size (Windows)

1. From the software program, select the **Print** option.
2. Select the product, and then click the **Properties** or **Preferences** button.

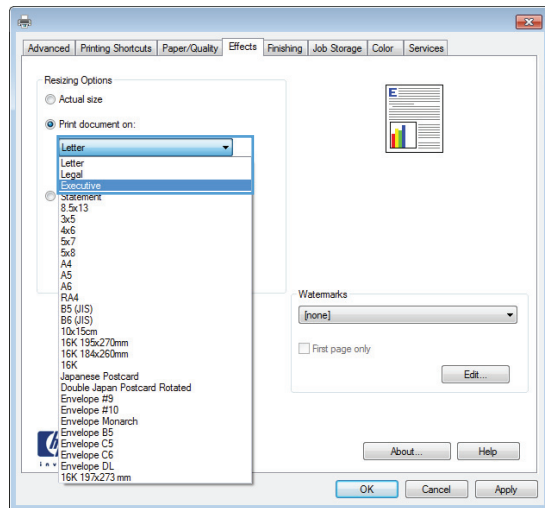


3. Click the **Effects** tab.

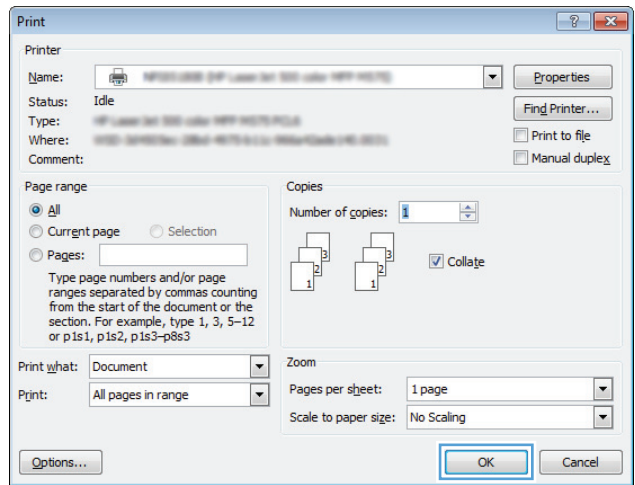


4. Select the **Print document on** option, and then select a size from the drop-down list.

Click the **OK** button to close the **Document Properties** dialog box.

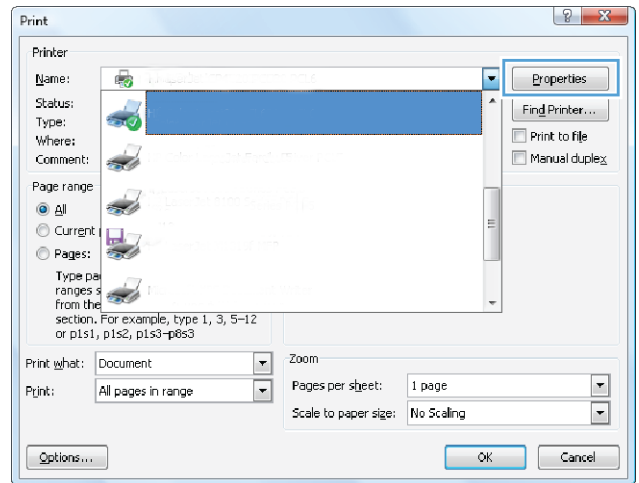


5. In the **Print** dialog box, click the **OK** button to print the job.

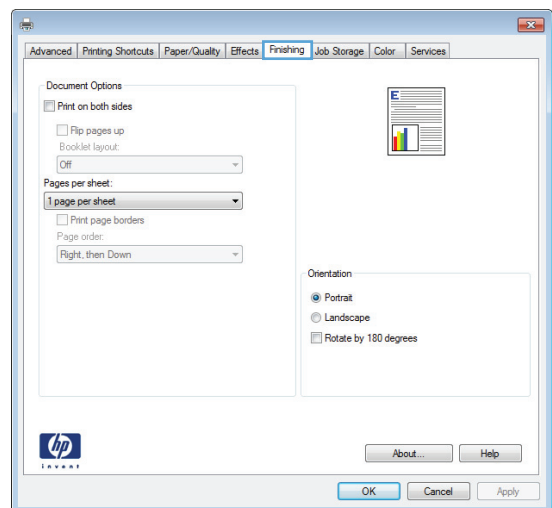


Create a booklet (Windows)

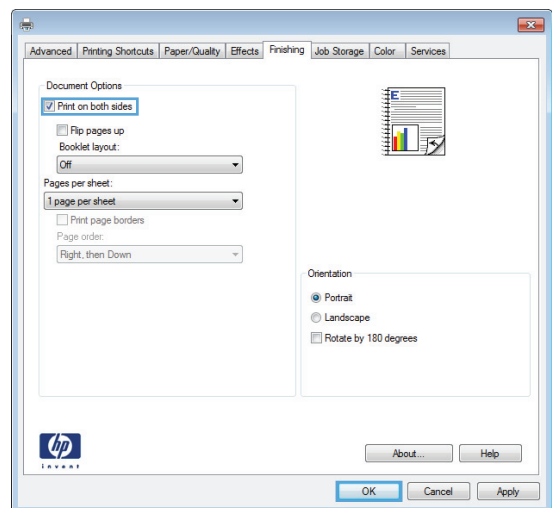
1. From the software program, select the **Print** option.
2. Select the product, and then click the **Properties** or **Preferences** button.



3. Click the **Finishing** tab.

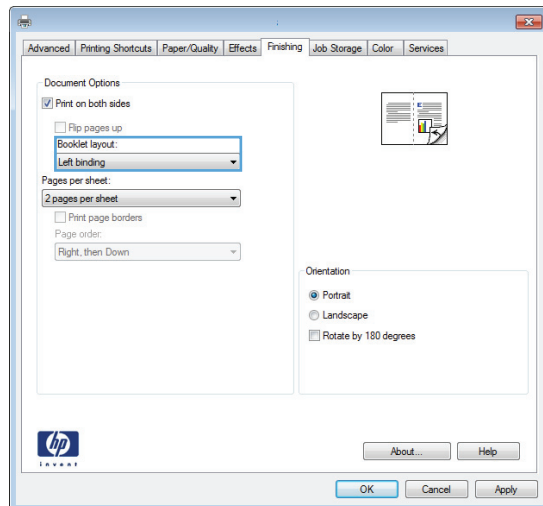


4. Select the **Print on both sides** check box.

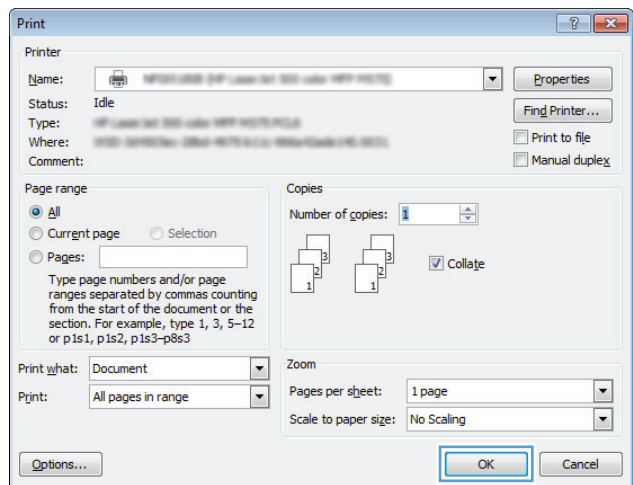


5. In the **Booklet layout** drop-down list, click the **Left binding** or **Right binding** option. The **Pages per sheet** option automatically changes to **2 pages per sheet**.

Click the **OK** button to close the **Document Properties** dialog box.



6. In the **Print** dialog box, click the **OK** button to print the job.



Print tasks (Mac OS X)

Use a printing preset (Mac OS X)

1. Click the **File** menu, and then click the **Print** option.
2. In the **Printer** menu, select the product.
3. In the **Presets** menu, select the printing preset.
4. Click the **Print** button.



NOTE: To use print-driver default settings, select the **standard** option.

Create a printing preset (Mac OS X)

Use printing presets to save the current print settings for reuse.

1. Click the **File** menu, and then click the **Print** option.
2. In the **Printer** menu, select the product.
3. By default, the print driver displays the **Copies & Pages** menu. Open the menus drop-down list, and then open a menu for which you want to change the print settings.
4. For each menu, select the print settings that you want to save for reuse.
5. In the **Presets** menu, click the **Save As...** option, and enter a name for the preset.
6. Click the **OK** button.

Automatically print on both sides (Mac OS X)

1. Click the **File** menu, and then click the **Print** option.
2. In the **Printer** menu, select the product.
3. By default, the print driver displays the **Copies & Pages** menu. Open the menus drop-down list, and then click the **Layout** menu.
4. Select a binding option from the **Two-Sided** drop-down list.
5. Click the **Print** button.

Print multiple pages per sheet (Mac OS X)

1. Click the **File** menu, and then click the **Print** option.
2. In the **Printer** menu, select the product.
3. By default, the print driver displays the **Copies & Pages** menu. Open the menus drop-down list, and then click the **Layout** menu.

4. From the **Pages per Sheet** drop-down list, select the number of pages that you want to print on each sheet.
5. In the **Layout Direction** area, select the order and placement of the pages on the sheet.
6. From the **Border** menu, select the type of border to print around each page on the sheet.
7. Click the **Print** button.

Select the page orientation (Mac OS X)


1. Click the **File** menu, and then click the **Print** option.
2. In the **Printer** menu, select the product.
3. In the **Copies & Pages** menu, click the **Page Setup** button.
4. Click the icon that represents the page orientation that you want to use, and then click the **OK** button.
5. Click the **Print** button.

Select the paper type (Mac OS X)

1. Click the **File** menu, and then click the **Print** option.
2. In the **Printer** menu, select the product.
3. By default, the print driver displays the **Copies & Pages** menu. Open the menus drop-down list, and then click the **Finishing** menu.
4. Select a type from the **Media Type** drop-down list.
5. Click the **Print** button.

Print a cover page (Mac OS X)

1. Click the **File** menu, and then click the **Print** option.
2. In the **Printer** menu, select the product.
3. By default, the print driver displays the **Copies & Pages** menu. Open the menus drop-down list, and then click the **Cover Page** menu.
4. Select where to print the cover page. Click either the **Before Document** button or the **After Document** button.
5. In the **Cover Page Type** menu, select the message that you want to print on the cover page.

 **NOTE:** To print a blank cover page, select the **standard** option from the **Cover Page Type** menu.

6. Click the **Print** button.

Scale a document to fit page size (Mac OS X)


1. Click the **File** menu, and then click the **Print** option.
2. In the **Printer** menu, select the product.
3. By default, the print driver displays the **Copies & Pages** menu. Open the menus drop-down list, and then click the **Paper Handling** menu.
4. In the **Destination Paper Size** area, click the **Scale to fit paper size** box, and then select the size from the drop-down list.
5. Click the **Print** button.


Create a booklet (Mac OS X)

1. Click the **File** menu, and then click the **Print** option.
2. In the **Printer** menu, select the product.
3. By default, the print driver displays the **Copies & Pages** menu. Open the menus drop-down list, and then click the **Layout** menu.
4. Select a binding option from the **Two-Sided** drop-down list.
5. Open the menus drop-down list, and then click the **Booklet Printing** menu.
6. Click the **Format Output As Booklet** box, and select a binding option.
7. Select the paper size.
8. Click the **Print** button.

Additional print tasks (Windows)

Cancel a print job (Windows)

 **NOTE:** If the print job is too far into the printing process, you might not have the option to cancel it.

1. If the print job is currently printing, cancel it from the product control panel by following this procedure:
 - a. From the Home screen on the product control panel, touch the Stop  button. The product pauses the job, and the [Job Status](#) screen opens.
 - b. From the list on the touchscreen, touch the print job you want to cancel, and then touch the [Cancel Job](#) button.
 - c. The product prompts you to confirm the cancellation. Touch the [Yes](#) button.
2. You can also cancel a print job from a software program or a print queue.
 - **Software program:** Typically, a dialog box appears briefly on the computer screen, allowing you to cancel the print job.
 - **Windows print queue:** If a print job is waiting in a print queue (computer memory) or print spooler, delete the job there.
 - **Windows XP, Server 2003, or Server 2008:** Click **Start**, click **Settings**, and then click **Printers and Faxes**. Double-click the product icon to open the window, right-click the print job that you want to cancel, and then click **Cancel**.
 - **Windows Vista:** Click the Windows icon in the lower left corner of the screen, click **Settings**, and then click **Printers**. Double-click the product icon to open the window, right-click the print job that you want to cancel, and then click **Cancel**.
 - **Windows 7:** Click the Windows icon in the lower left corner of the screen, and then click **Devices and Printers**. Double-click the product icon to open the window, right-click the print job that you want to cancel, and then click **Cancel**.

Select the paper size (Windows)

1. From the software program, select the **Print** option.
2. Select the product, and then click the **Properties** or **Preferences** button.
3. Click the **Paper/Quality** tab.
4. Select a size from the **Paper size** drop-down list.
5. Click the **OK** button.
6. In the **Print** dialog box, click the **OK** button to print the job.

Select a custom paper size (Windows)

1. From the software program, select the **Print** option.
2. Select the product, and then click the **Properties** or **Preferences** button.
3. Click the **Paper/Quality** tab.
4. Click the **Custom** button.
5. Type a name for the custom size and specify the dimensions.
 - The width is the short edge of the paper.
 - The length is the long edge of the paper.
6. Click the **Save** button, and then click the **Close** button.
7. Click the **OK** button to close the **Document Properties** dialog box. In the **Print** dialog box, click the **OK** button to print the job.


Print watermarks (Windows)


1. From the software program, select the **Print** option.
2. Select the product, and then click the **Properties** or **Preferences** button.
3. Click the **Effects** tab.
4. Select a watermark from the **Watermarks** drop-down list.

Or, to add a new watermark to the list, click the **Edit** button. Specify the settings for the watermark, and then click the **OK** button.
5. To print the watermark on the first page only, select the **First page only** check box. Otherwise, the watermark is printed on each page.
6. Click the **OK** button to close the **Document Properties** dialog box. In the **Print** dialog box, click the **OK** button to print the job.

Additional print tasks (Mac OS X)

Cancel a print job (Mac OS X)

 **NOTE:** If the print job is too far into the printing process, you might not have the option to cancel it.

1. If the print job is currently printing, cancel it from the product control panel by following this procedure:
 - a. From the Home screen on the product control panel, touch the Stop  button. The product pauses the job, and the [Job Status](#) screen opens.
 - b. From the list on the touchscreen, touch the print job you want to cancel, and then touch the [Cancel Job](#) button.
 - c. The product prompts you to confirm the cancellation. Touch the [Yes](#) button.
2. You can also cancel a print job from a software program or a print queue.
 - **Software program:** Typically, a dialog box appears briefly on the computer screen, allowing you to cancel the print job.
 - **Mac print queue:** Open the print queue by double-clicking the product icon in the dock. Highlight the print job, and then click **Delete**.

Select the paper size (Mac OS X)

1. Click the **File** menu, and then click the **Print** option.
2. In the **Printer** menu, select the product.
3. In the **Copies & Pages** menu, click the **Page Setup** button.
4. Select a size from the **Paper Size** drop-down list, and then click the **OK** button.
5. Click the **Print** button.

Select a custom paper size (Mac OS X)

1. Click the **File** menu, and then click the **Print** option.
2. In the **Printer** menu, select the product.
3. In the **Copies & Pages** menu, click the **Page Setup** button.
4. From the **Paper Size** drop-down list, select the **Manage Custom Sizes** option.
5. Specify the dimensions for the page size, and then click the **OK** button.
6. Click the **OK** button to close the **Page Setup** dialog.
7. Click the **Print** button.

Print watermarks (Mac OS X)

1. Click the **File** menu, and then click the **Print** option.
2. In the **Printer** menu, select the product.
3. By default, the print driver displays the **Copies & Pages** menu. Open the menus drop-down list, and then click the **Watermarks** menu.
4. From the **Mode** menu, select the **Watermark** option.
5. From the **Pages** drop-down list, select whether to print the watermark on all pages or on the first page only.
6. From the **Text** drop-down list, select one of the standard messages, or select the **Custom** option and type a new message in the box.
7. Select options for the remaining settings.
8. Click the **Print** button.

Color printing

Use the HP EasyColor option

If you are using the HP PCL 6 print driver for Windows, the **HP EasyColor** technology automatically improves mixed-content documents that are printed from Microsoft Office programs. This technology scans documents and automatically adjusts photographic images in .JPEG or .PNG format. The **HP EasyColor** technology enhances the entire image at one time, rather than dividing it into several pieces, which results in improved color consistency, sharper details, and faster printing.

If you are using the HP Postscript print driver for Mac, the **HP EasyColor** technology scans all documents and automatically adjusts all photographic images with the same improved photographic results.

In the following example, the images on the left were created without using the **HP EasyColor** option. The images on the right show the enhancements that result from using the **HP EasyColor** option.



The **HP EasyColor** option is enabled by default in both the HP PCL 6 print driver and the HP Mac Postscript print driver, so you do not need to make manual color adjustments. To disable the option so you can manually adjust the color settings, open the **Color** tab in the Windows driver or the **Color/Quality Options** tab in the Mac driver, and then click the **HP EasyColor** check box to clear it.

Change the color options (Windows)

1. From the software program, select the **Print** option.
2. Select the product, and then click the **Properties** or **Preferences** button.
3. Click the **Color** tab.
4. Select the **HP EasyColor** check box to clear it.
5. Click the **Automatic** or **Manual** setting.
 - **Automatic** setting: Select this setting for most color print jobs
 - **Manual** setting: Select this setting to adjust the color settings independently from other settings. Click the **Settings** button to open the manual color-adjustment window.



NOTE: Changing color settings manually can impact output. HP recommends that only color graphics experts change these settings.

6. Click the **Print in Grayscale** option to print a color document in black and shades of gray. Use this option to print color documents for photocopying or faxing. Also use this option to print draft copies or to save color toner.
7. Click the **OK** button to close the **Document Properties** dialog box. In the **Print** dialog box, click the **OK** button to print the job.

Change the color theme for a print job (Windows)

1. From the software program, select the **Print** option.
2. Select the product, and then click the **Properties** or **Preferences** button.
3. Click the **Color** tab.
4. Select the **HP EasyColor** check box to clear it.
5. Select a color theme from the **Color Themes** drop-down list.
 - **Default (sRGB):** This theme sets the product to print RGB data in raw device mode. When using this theme, manage color in the software program or in the operating system for correct rendering.
 - **Vivid (sRGB):** The product increases the color saturation in the midtones. Use this theme when printing business graphics.
 - **Photo (sRGB):** The product interprets RGB color as if it were printed as a photograph using a digital mini lab. The product renders deeper, more saturated colors differently than with the Default (sRGB) theme. Use this theme when printing photos.
 - **Photo (Adobe RGB 1998):** Use this theme with printing digital photos that use the AdobeRGB color space rather than sRGB. Turn off color management in the software program when using this theme.
 - **None:** No color theme is used.
 - **Custom Profile:** Select this option to use a custom input profile to accurately control color output (for example, to emulate a specific HP Color LaserJet product). Download custom profiles from www.hp.com.
6. Click the **OK** button to close the **Document Properties** dialog box. In the **Print** dialog box, click the **OK** button to print the job.

Change the color options (Mac OS X)

1. Click the **File** menu, and then click the **Print** option.
2. In the **Printer** menu, select the product.
3. By default, the print driver displays the **Copies & Pages** menu. Open the menus drop-down list, and then click the **Color Options** menu.

4. Click the **HP EasyColor** check box to clear it.
5. Open the **Advanced** settings.
6. Adjust the individual settings for text, graphics, and photographs.
7. Click the **Print** button.

Manual color options

Use manual color options to adjust the **Neutral Grays**, **Halftone**, and **Edge Control** options for text, graphics, and photographs.

Setting description	Setting options
<p>Edge Control</p> <p>The Edge Control setting determines the rendering of edges. Edge control has two components: adaptive halftoning and trapping. Adaptive halftoning increases edge sharpness. Trapping reduces the effect of color-plane misregistration by overlapping the edges of adjacent objects slightly.</p>	<ul style="list-style-type: none"> • Off turns off both trapping and adaptive halftoning. • Light sets trapping at a minimal level. Adaptive halftoning is on. • Normal sets trapping at a medium level. Adaptive halftoning is on. • Maximum is the most aggressive trapping setting. Adaptive halftoning is on.
<p>Halftone</p> <p>Halftone options affect color output clarity and resolution.</p>	<ul style="list-style-type: none"> • Smooth provides better results for large, solid-filled print areas and enhances photographs by smoothing color gradations. Select this option when uniform and smooth area fills are important. • Detail is useful for text and graphics that require sharp distinctions among lines or colors, or images that contain a pattern or a high level of detail. Select this option when sharp edges and small details are important.
<p>Neutral Grays</p> <p>The Neutral Grays setting determines the method for creating gray colors used in text, graphics, and photographs.</p>	<ul style="list-style-type: none"> • Black Only generates neutral colors (grays and black) by using only black toner. This guarantees neutral colors without a color cast. This setting is best for documents and grayscale viewgraphs. • 4-Color generates neutral colors (grays and black) by combining all four toner colors. This method produces smoother gradients and transitions to other colors, and it produces the darkest black.

Match colors

The process of matching product output color to a computer screen is quite complex because printers and computer monitors use different methods of producing color. Monitors *display* colors by light pixels using an RGB (red, green, blue) color process, but printers *print* colors using a CMYK (cyan, magenta, yellow, and black) process.

Several factors can influence the ability to match printed colors to those on a monitor. These factors include:

- Paper
- Printer colorants (inks or toners for example)

- Printing process (inkjet, press, or laser technology for example)
- Overhead lighting
- Personal differences in perception of color
- Software programs
- Print drivers
- Computer operating system
- Monitors and monitor settings
- Video cards and drivers
- Operating environment (humidity for example)

For most situations, the best method for matching colors on the screen to the printed page is to print sRGB colors.

Sample book color matching

The process for matching product output to preprinted sample books and standard color references is complex. In general, you can obtain a reasonably good match to a sample book if the inks used to create the sample book are cyan, magenta, yellow, and black. These are usually referred to as process color sample books.

Some sample books are created from spot colors. Spot colors are specially created colorants. Many of these spot colors are outside of the range of the product. Most spot color sample books have companion process sample books that provide CMYK approximations to the spot color.

Most process sample books will state which process standards were used to print the sample book. In most cases they will be SWOP, EURO, or DIC. To get optimal color matching to the process sample book, select the corresponding ink emulation from the product menu. If you cannot identify the process standard, use SWOP ink emulation.

Print color samples

To use the color samples, select the color sample that is the closest match to the desired color. Use the sample's color value in the software program to describe the object you wish to match. Printed colors vary depending on the paper type and the software program.

Use the following procedure to print color samples at the product using the control panel:

1. From the Home screen on the product control panel, scroll to and touch the [Administration](#) button.
2. Open the following menus:
 - [Reports](#)
 - [Other Pages](#)
3. Select either the [RGB Samples](#) or the [CMYK Samples](#) option, and touch the [OK](#) button.

PANTONE® color matching

PANTONE has multiple color matching systems. PANTONE MATCHING SYSTEM® is very popular and uses solid inks to generate a wide range of color hues and tints.



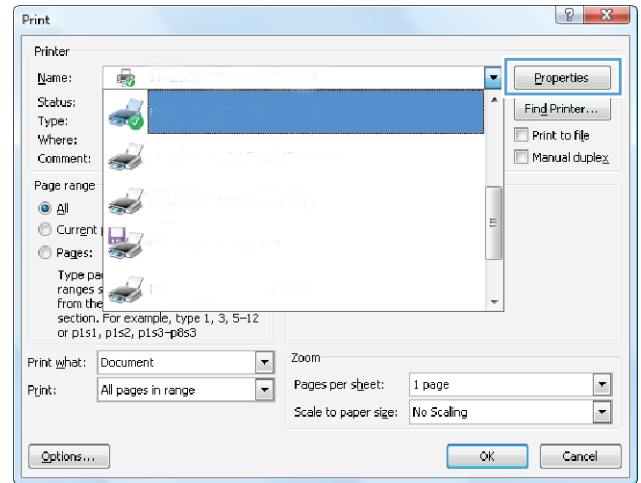
NOTE: PANTONE Colors generated might not match PANTONE-identified standards. Consult current PANTONE Publications for accurate color.

Store print jobs on the product

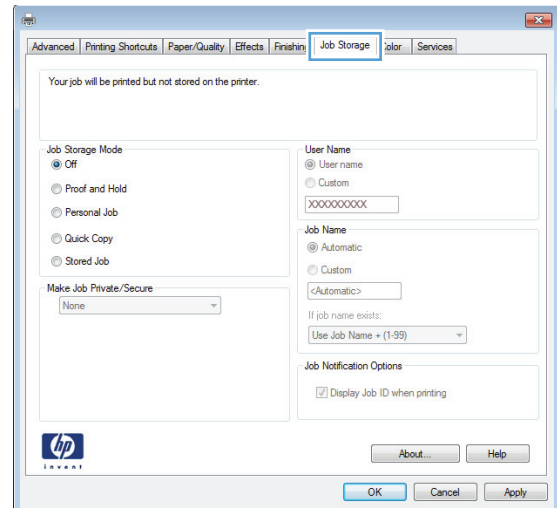
Create a stored job (Windows)

You can store jobs on the product so you can print them at any time.

1. From the software program, select the **Print** option.
2. Select the product, and then click the **Properties** or **Preferences** button.

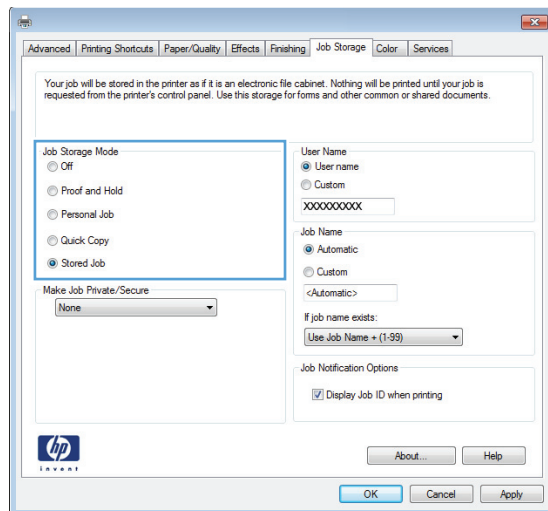


3. Click the **Job Storage** tab.



4. Select a **Job Storage Mode** option.

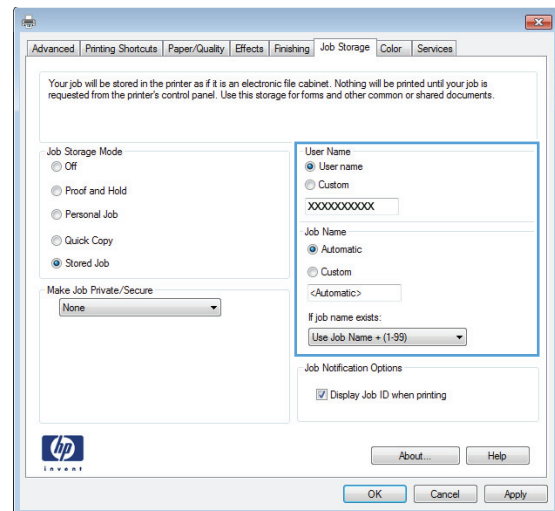
- **Proof and Hold:** Print and proof one copy of a job and then print more copies.
- **Personal Job:** The job does not print until you request it at the product control panel. For this job-storage mode, you can select one of the **Make Job Private/Secure** options. If you assign a personal identification number (PIN) to the job, you must provide the required PIN at the control panel. If you encrypt the job, you must provide the required password at the control panel.
- **Quick Copy:** Print the requested number of copies of a job and then store a copy of the job in the product memory so you can print it again later.
- **Stored Job:** Store a job on the product and allow other users to print the job at any time. For this job-storage mode, you can select one of the **Make Job Private/Secure** options. If you assign a personal identification number (PIN) to the job, the person who prints the job must provide the required PIN at the control panel. If you encrypt the job, the person who prints the job must provide the required password at the control panel.



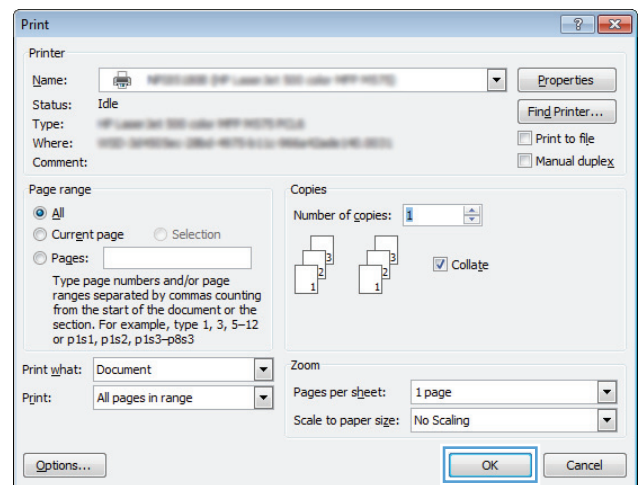
- To use a custom user name or job name, click the **Custom** button, and then enter the user name or the job name.

Select which option to use if another stored job already has that name:

- Use Job Name + (1-99):** Append a unique number to the end of the job name.
- Replace Existing File:** Overwrite the existing stored job with the new one.



- Click the **OK** button to close the **Document Properties** dialog box. In the **Print** dialog box, click the **OK** button to print the job.



Create a stored job (Mac OS X)

You can store jobs on the product so you can print them at any time.

- Click the **File** menu, and then click the **Print** option.
- In the **Printer** menu, select the product.
- By default, the print driver displays the **Copies & Pages** menu. Open the menu drop-down list, and then click the **Job Storage** menu.
- In the **Mode** drop-down list, select the type of stored job.
 - Proof and Hold:** Print and proof one copy of a job and then print more copies.
 - Personal Job:** The job does not print until you request it at the product control panel. If you assign a personal identification number (PIN) to the job, you must provide the required PIN at the control panel.

- **Quick Copy:** Print the requested number of copies of a job and then store a copy of the job in the product memory so you can print it again later.
 - **Stored Job:** Store a job on the product and allow other users to print the job at any time. If you assign a personal identification number (PIN) to the job, the person who prints the job must provide the required PIN at the control panel.
5. To use a custom user name or job name, click the **Custom** button, and then enter the user name or the job name.


Select which option to use if another stored job already has that name.

Use Job Name + (1 - 99)	Append a unique number to the end of the job name.
Replace Existing File	Overwrite the existing stored job with the new one.

6. If you selected the **Stored Job** or **Personal Job** option in step 3, you can protect the job with a PIN. Type a 4-digit number in the **Use PIN to Print** field. When other people attempt to print this job, the product prompts them to enter this PIN number.
7. Click the **Print** button to process the job.

Print a stored job

Use the following procedure to print a job that is stored in the product memory.

1. From the Home screen on the product control panel, scroll to and touch the [Retrieve from Device Memory](#) button.
2. Select the name of the folder where the job is stored.
3. Select the name of the job. If the job is private or encrypted, enter the PIN or password.
4. Adjust the number of copies, and then touch the Start  button to print the job.

Delete a stored job

When you send a stored job to the product memory, the product overwrites any previous jobs with the same user and job name. If a job is not already stored under the same user and job name, and the product needs additional space, the product might delete other stored jobs starting with the oldest. You can change the number of jobs that the product can store from the [General Settings](#) menu on the product control panel.

Use this procedure to delete a job that is stored in the product memory.

1. From the Home screen on the product control panel, scroll to and touch the [Retrieve from Device Memory](#) button.
2. Select the name of the folder where the job is stored.
3. Select the name of the job, and then touch the [Delete](#) button.
4. If the job is private or encrypted, enter the PIN or the password, and then touch the [Delete](#) button.

Add a job-separator page (Windows)

The product can insert a blank page at the beginning of each print job to make sorting jobs easier.



NOTE: The following procedure turns on this setting for all print jobs.

1. **Windows XP, Windows Server 2003, and Windows Server 2008 (using the default Start menu view):** Click **Start**, and then click **Printers and Faxes**.

Windows XP, Windows Server 2003, and Windows Server 2008 (using the Classic Start menu view): Click **Start**, click **Settings**, and then click **Printers**.


Windows Vista: Click the Windows icon in the lower-left corner of the screen, click **Control Panel**, and then click **Printers**.

Windows 7: Click the Windows icon in the lower-left corner of the screen, and then click **Devices and Printers**.

2. Right-click the driver icon, and then select **Properties** or **Printer properties**.
3. Click the **Device Settings** tab.
4. Expand the **Installable Options** list.
5. In the **Job Separator** drop-down list, select the **Enabled** option.
6. Click the **OK** button.

Use HP ePrint


Use HP ePrint to print documents by sending them as an email attachment to the product's email address from any email enabled device.

 **NOTE:** The product must be connected to a network and have Internet access to use HP ePrint.

1. To use HP ePrint, you must first enable HP Web Services.
 - a. Type the product IP address into the address line of a Web browser to open the HP Embedded Web Server.
 - b. Click the **HP Web Services** tab.
 - c. Select the option to enable Web Services.

 **NOTE:** Enabling Web Services might take several minutes.

2. Use the HP ePrintCenter Web site to define security settings and to configure default print settings for all HP ePrint jobs sent to this product.
 - a. Go to www.hpeprintcenter.com.
 - b. Click **Sign In**, and enter your HP ePrintCenter credentials or sign up for a new account.
 - c. Select your product from the list, or click **+ Add printer** to add it. To add the product, you need the printer code, which is the segment of the product email address that is before the @ symbol.

 **NOTE:** This code is valid for only 24 hours from the time you enable HP Web Services. If it expires, follow the instructions to enable HP Web Services again, and obtain a new code.

 - d. To prevent your product from printing unexpected documents, click **ePrint Settings**, and then click the **Allowed Senders** tab. Click **Allowed Senders Only**, and add the email addresses from which you want to allow ePrint jobs.
 - e. To set up default settings for all ePrint jobs sent to this product, click **ePrint Settings**, click **Print Options**, and select the settings that you want to use.
3. To print a document, attach it to an email message sent to the product's email address.

Use the HP ePrint Mobile Driver


The HP ePrint Mobile Driver makes it easy to print from a desktop or laptop computer to any HP ePrint-capable product. After installing the driver, open the **Print** option from within your application, and then select **HP ePrint Mobile** from the installed printers list. This single driver makes it easy to find HP ePrint-enabled products that are registered to your ePrintCenter account. The target HP product can be at your desk or in a remote location, such as a branch office or across the globe—you can do remote printing by using the Internet without file type or size limitations. The target product can be anywhere in the world; if it is Web-connected and registered in ePrintCenter, you can send a print job to the product.

For Windows, the HP ePrint Mobile Driver also supports traditional direct IP printing to local network printers on the network (LAN or WAN) to supported PostScript® products.


Go to www.hp.com/go/eprintmobiledriver for drivers and information.

Supported operating systems


- Windows® XP (32-bit, SP 2 or greater)

 **NOTE:** Microsoft retired mainstream support for Windows XP in April 2009. HP will continue to provide best-effort support for the discontinued XP operating system.

- Windows Vista® (32-bit and 64-bit)
- Windows 7 (32-bit and 64-bit)
- Windows .Net 3.5 SP1

 **NOTE:** Windows .Net 3.5 is installed if you are not using the Add Printer wizard.

- Mac OS X v10.5 and v10.6

 **NOTE:** The HP ePrint Mobile Driver is a PDF workflow utility for Mac, and is not technically a print driver. HP ePrint Mobile for Mac supports print paths only through ePrintcenter and does not support direct IP printing to local network printers.

Use Apple AirPrint

Direct printing using Apple's AirPrint is supported for iOS 4.2 or later. Use AirPrint to print wirelessly to the product from an iPad (iOS 4.2), iPhone (3GS or later), or iPod touch (third generation or later) in the following applications:

- Mail
- Photos
- Safari
- Select third-party applications

To use AirPrint, the product must be connected to a network. For more information about using AirPrint and about which HP products are compatible with AirPrint, go to www.hp.com/go/airprint.



NOTE: You might need to upgrade the product firmware to use AirPrint. Go to www.hp.com/go/lj500colorMFPM575_firmware.

Use HP Smart Print (Windows)

Use HP Smart Print to print a particular section of a Web site. You can remove headers, footers, and advertisements, so you minimize waste. The application automatically selects the section of the Web page that you most likely want to print. You can edit the selected area before you print.

Download HP Smart Print from this Web site: www.hp.com/go/smartweb.



NOTE: HP Smart Print is compatible with Windows browsers only.

Use easy-access USB printing

This product features easy-access USB printing, so you can quickly print files without sending them from a computer. The product accepts standard USB flash drives in the USB port on the front of the product. You can print the following types of files:

- .pdf
- .prn
- .pcl
- .ps
- .cht

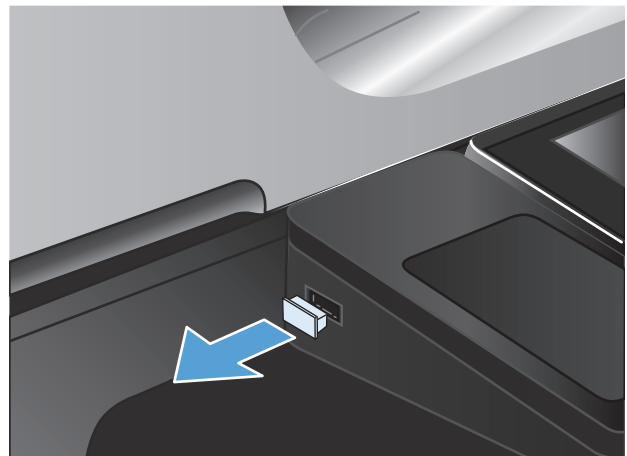
Before you can use this feature, you must enable the USB port. Use the following procedure to enable the port from the product control-panel menus:

1. From the Home screen on the product control panel, scroll to and touch the [Administration](#) button.
2. Open the following menus:
 - [General Settings](#)
 - [Enable Retrieve from USB](#)
3. Select the [Enable](#) option, and then touch the [Save](#) button.


Print easy-access USB documents

1. Insert the USB flash drive into the USB port on the left side of the product control panel.

NOTE: You might need to remove the cover from the USB port.



2. The [Retrieve from USB](#) screen opens. Select a folder from the list on the left side of the screen.
3. Select the name of the document that you want to print.

4. To adjust the number of copies, touch the **Copies** field, and then use the keypad to select the number of copies.
5. Touch the Start  button to print the document.

6 Copy


- [Set new default copy settings](#)
- [Restore default copy settings](#)
- [Make a single copy](#)
- [Make multiple copies](#)
- [Copy a multiple-page original](#)
- [Collate a copy job](#)
- [Copy on both sides \(duplex\)](#)
- [Reduce or enlarge a copy image](#)
- [Make color copies or black and white copies](#)
- [Optimize copy quality for text or pictures](#)
- [Adjust the copy lightness/darkness](#)
- [Set the paper size and type for copying on special paper](#)
- [Use Job Build mode](#)
- [Copy a book](#)
- [Copy a photo](#)

Set new default copy settings

You can use the [Administration](#) menu to establish default settings that apply to all copy jobs. If necessary, you can override most settings for an individual job. After that job is complete, the product returns to the default settings.

1. From the Home screen on the product control panel, scroll to and touch the [Administration](#) button.
2. Open the [Copy Settings](#) menu.
3. Several options are available. You can configure defaults for all options, or for only some options.



NOTE: To learn about each menu option, touch the Help  button in the upper-right corner of the screen for that option.

Menu item	Description
Copies	Use the Copies feature to set the default number of copies for all copy jobs.
Sides	Use the Sides feature to indicate whether the original document is printed on one or both sides, and whether the copies should be printed on one or both sides.
Color/Black	Use the Color/Black feature to specify whether to print copies in color or in black only.
Collate	When you are making multiple copies of a document, use the Collate feature to assemble each set of pages in the same order as the original document. Turn off the Collate feature to group the same pages together. For example, if you are making five copies of a document that has two pages, all five first pages would be grouped together and all five second pages would be grouped together.
Reduce/Enlarge	Use the Reduce/Enlarge feature to scale the size of the document up or down. To reduce the image, select a scaling percentage that is less than 100. To enlarge the image, select a scaling percentage that is greater than 100.
Paper Selection	Use the Paper Selection feature to specify which tray to use for printing copies.
Image Adjustment	Use the Image Adjustment feature to improve the overall quality of the copy.
Content Orientation	Use the Content Orientation feature to specify the direction of the content on the page of the original document.
Optimize Text/Picture	Use the Optimize Text/Picture feature to optimize the output for a particular type of content: text, printed pictures, or photographs.
Pages per Sheet	Use the Pages per Sheet feature to copy multiple pages onto one sheet of paper.
Original Size	Use the Original Size feature to describe the page size of the original document.
Booklet Format	Use the Booklet Format feature to copy two or more pages onto one sheet of paper so you can fold the sheets in the center to form a booklet. The product arranges the pages in the correct order. For example, if the original document has eight pages, the product prints pages 1 and 8 on the same sheet.

Menu item	Description
Edge-To-Edge	Use the Edge-To-Edge feature to avoid shadows that can appear along the edges of copies when the original document is printed close to the edges. Combine this feature with the Reduce/Enlarge feature to ensure that the entire page is printed on the copies.
Job Build	Use the Job Build feature to divide a complex job into smaller segments. This is useful when you are copying or scanning an original document that has more pages than the document feeder can hold, or when you want to combine pages that have different sizes into one job.

Restore default copy settings

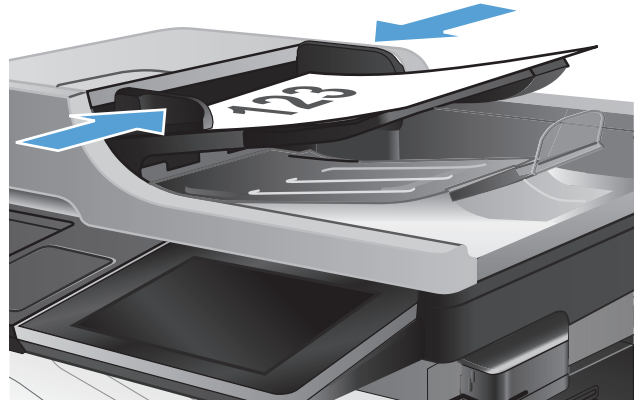
1. From the Home screen on the product control panel, scroll to and touch the [Administration](#) button.
2. Open the following menus:
 - [General Settings](#)
 - [Restore Factory Settings](#)
3. Select the [Copy](#) check box, and then touch the [Reset](#) button.
4. A verification message advises that completing the reset function might result in loss of data. Touch the [Reset](#) button to complete the process.



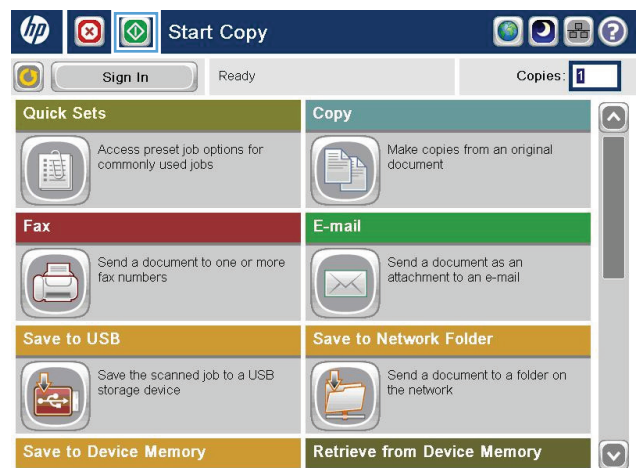
NOTE: The product restarts automatically after the reset operation completes.

Make a single copy

1. Place the document face-down on the scanner glass, or place it face-up in the document feeder and adjust the paper guides to fit the size of the document.

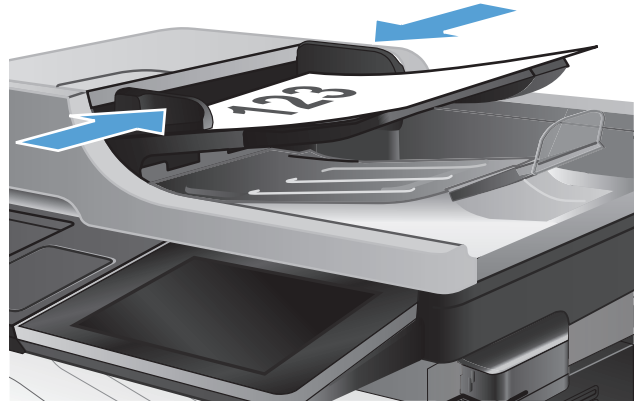


2. From the Home screen on the product control panel, touch the Start button.

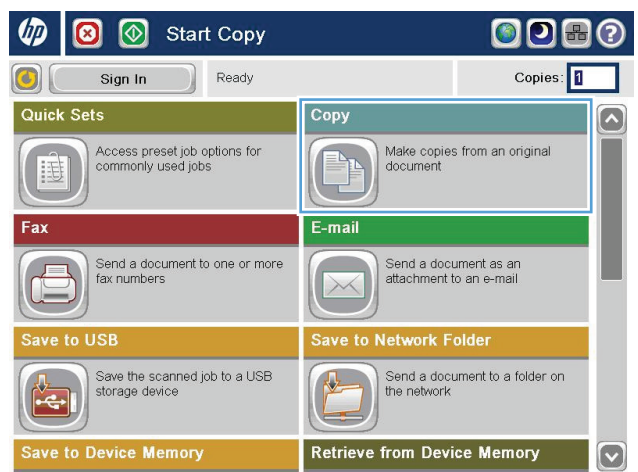


Make multiple copies

1. Place the document face-down on the scanner glass, or place it face-up in the document feeder and adjust the paper guides to fit the size of the document.



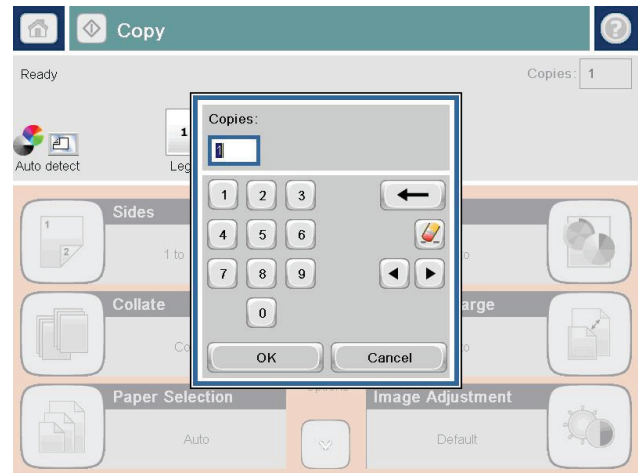
2. From the Home screen on the product control panel, touch the **Copy** button.



3. Touch the **Copies** field to open a keypad.



4. Enter the number of copies, and then touch the OK button.



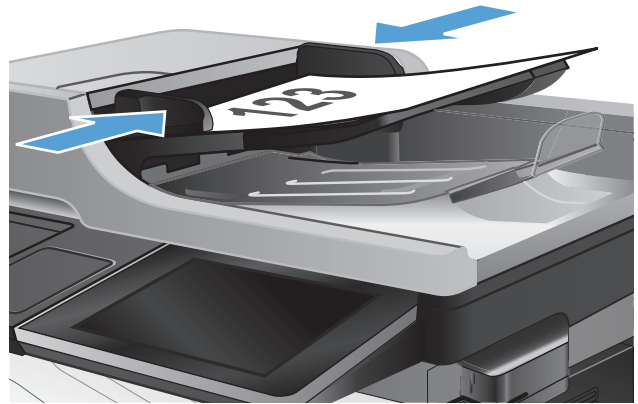
5. Touch the Start button.



Copy a multiple-page original

The document feeder holds up to 50 pages (depending on the thickness of the pages).

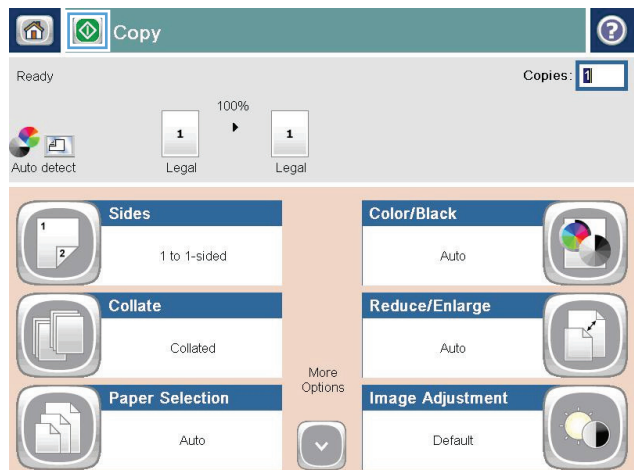
1. Place the document into the document feeder with the pages facing up. Adjust the paper guides to fit the size of the document.



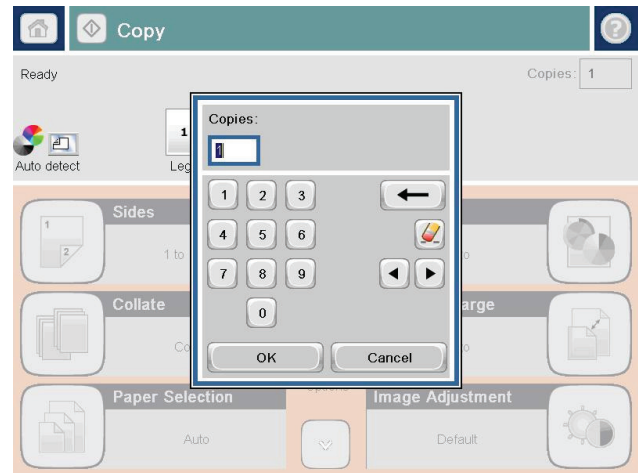
2. From the Home screen on the product control panel, touch the **Copy** button.



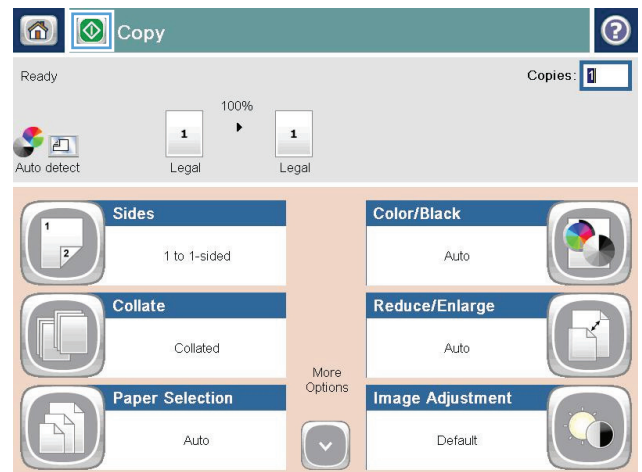
3. Touch the **Copies** field to open a keypad.



4. Enter the number of copies, and then touch the OK button.

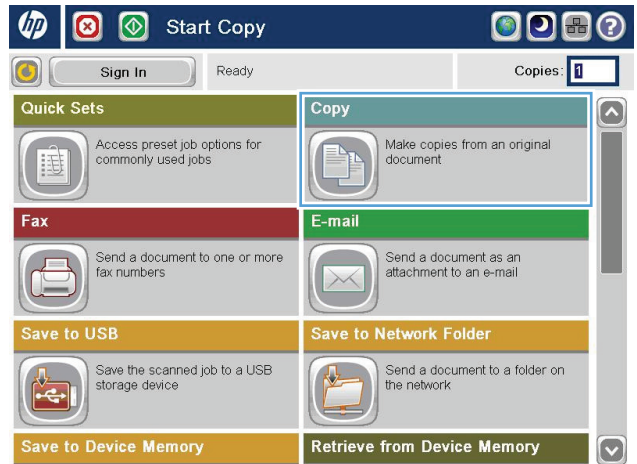


5. Touch the Start button.

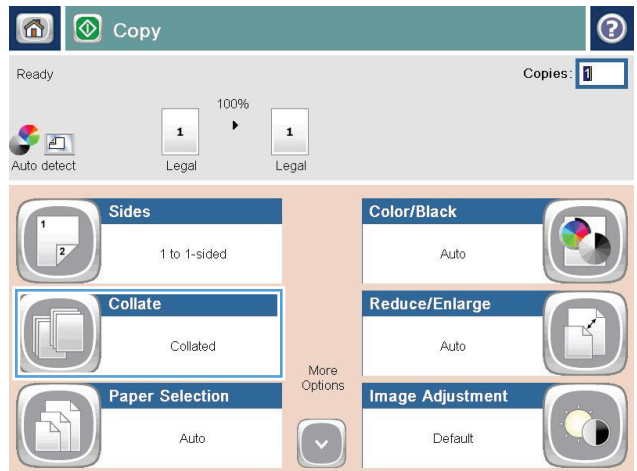


Collate a copy job

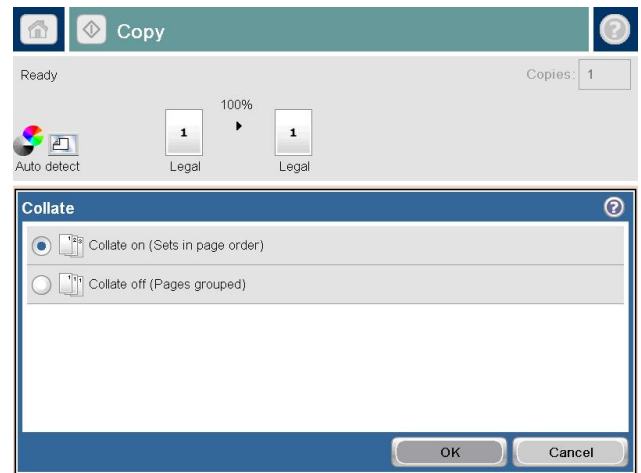
1. From the Home screen on the product control panel, touch the **Copy** button.



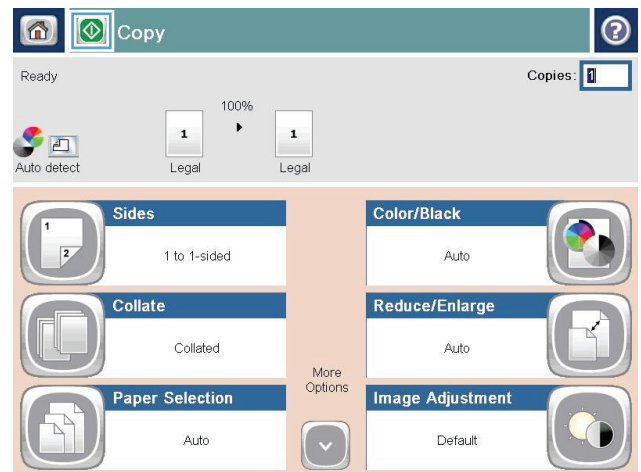
2. Touch the **Collate** button.



3. Touch the **Collate on (Sets in page order)** option. Touch the **OK** button.



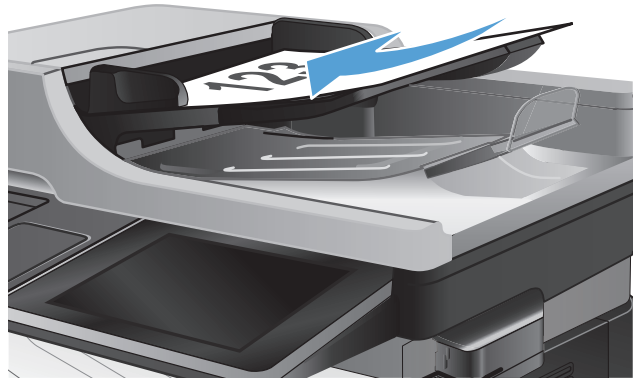
4. Touch the **Start** button.



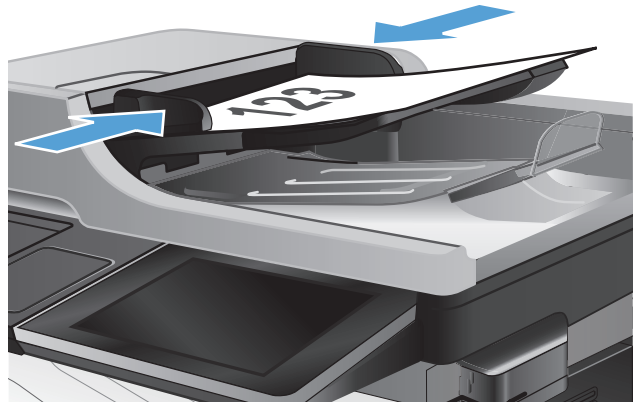
Copy on both sides (duplex)

Copy on both sides automatically

1. Load the original documents into the document feeder with the first page facing up, and with the top of the page leading.



2. Adjust the paper guides to fit the size of the document.



3. From the Home screen on the product control panel, touch the **Copy** button.
4. Touch the **Sides** button.

5. To make a two-sided copy from a one-sided original, touch the **1-sided original, 2-sided output** button.

To make a two-sided copy from a two-sided original, touch the **2-sided original, 2-sided output** button.

To make a one-sided copy from a two-sided original, touch the **2-sided original, 1-sided output** button.

Touch the **OK** button.

6. Touch the **Start**  button.

Copy on both sides manually

1. Lift the scanner lid.



2. Place the document face-down on the scanner glass with the upper-left corner of the page in the upper-left corner of the glass.




3. Gently close the scanner lid.



4. From the Home screen on the product control panel, touch the **Copy** button.
5. Touch the **Sides** button.
6. To make a two-sided copy from a one-sided original, touch the **1-sided original, 2-sided output** button.

To make a two-sided copy from a two-sided original, touch the **2-sided original, 2-sided output** button.

To make a one-sided copy from a two-sided original, touch the **2-sided original, 1-sided output** button.

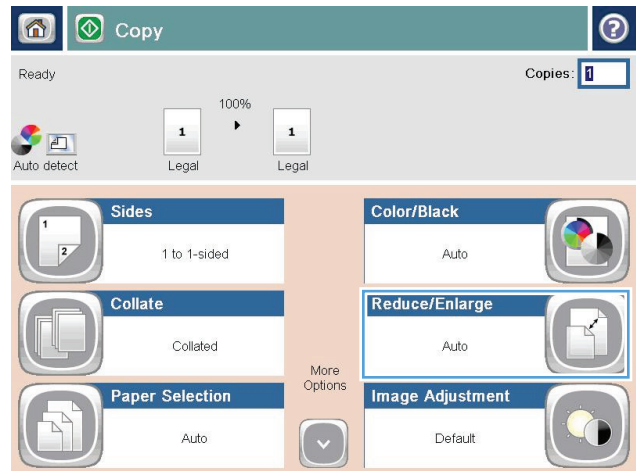
Touch the **OK** button.
7. Touch the **Start**  button.
8. The product prompts you to load the next original document. Place it on the glass, and then touch the **Scan** button.
9. The product temporarily saves the scanned images. Touch the **Finish** button to finish printing the copies.

Reduce or enlarge a copy image

1. From the Home screen on the product control panel, touch the **Copy** button.



2. Touch the **Reduce/Enlarge** button.

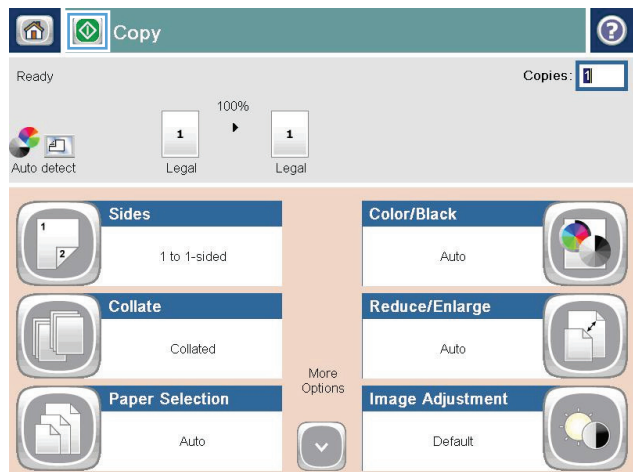
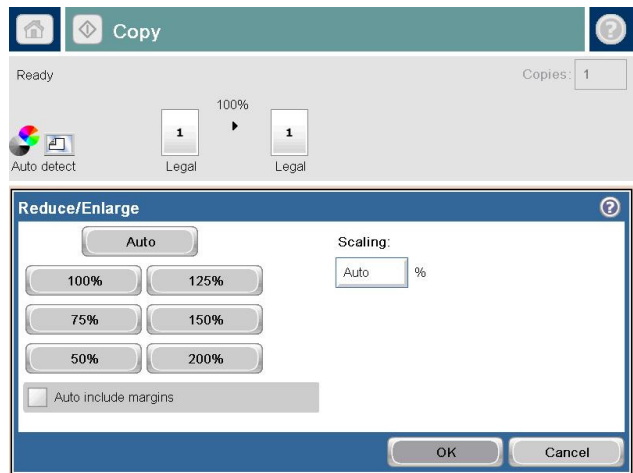


3. Select one of the predefined percentages, or touch the **Scaling** field and type a percentage between 25 and 200 when using the document feeder or between 25 and 400 when copying from the scanner glass. Touch the **OK** button. You can also select these options:


- **Auto**: The product automatically scales the image to fit the paper size in the tray.
- **Auto Include Margins**: The product reduces the image slightly to fit the entire scanned image within the printable area on the page.

NOTE: To reduce the image, select a scaling percentage that is less than 100. To enlarge the image, select a scaling percentage that is greater than 100.

4. Touch the Start  button.




Make color copies or black and white copies

1. From the Home screen on the product control panel, touch the **Copy** button.
2. Touch the **Color/Black** button.
3. Select the color option that you want to use, and then touch the **OK** button.
4. Touch the **Start**  button.

Optimize copy quality for text or pictures

Optimize the copy job for the type of image being copied: text, graphics, or photos.

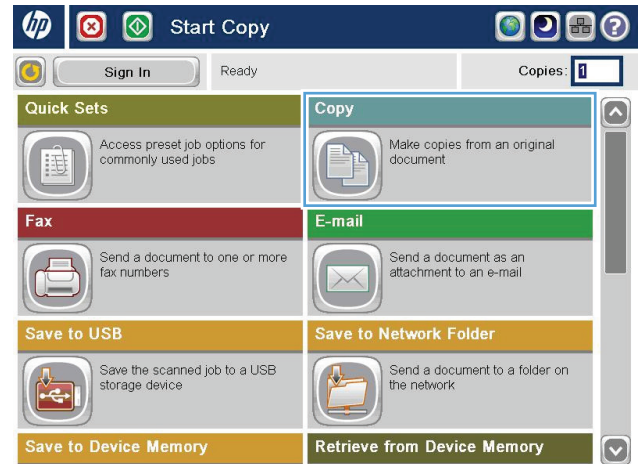
1. From the Home screen on the product control panel, touch the **Copy** button.
2. Touch the **More Options** button, and then touch the **Optimize Text/Picture** button.
3. Select one of the predefined options, or touch the **Manually adjust** button and then adjust the slider in the **Optimize For** area. Touch the **OK** button.
4. Touch the Start  button.



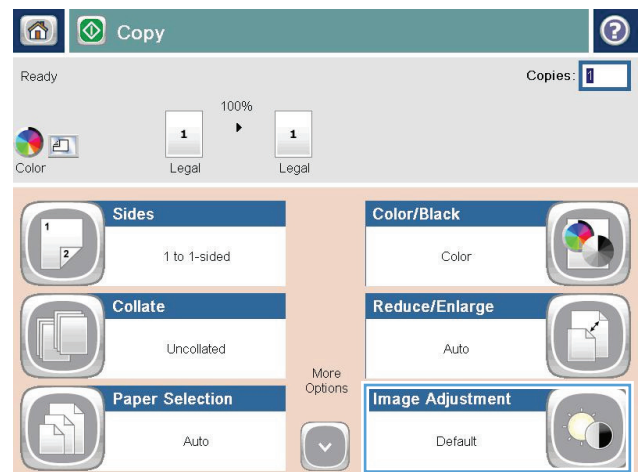
NOTE: These settings are temporary. After you have finished the job, the product returns to the default settings.

Adjust the copy lightness/darkness

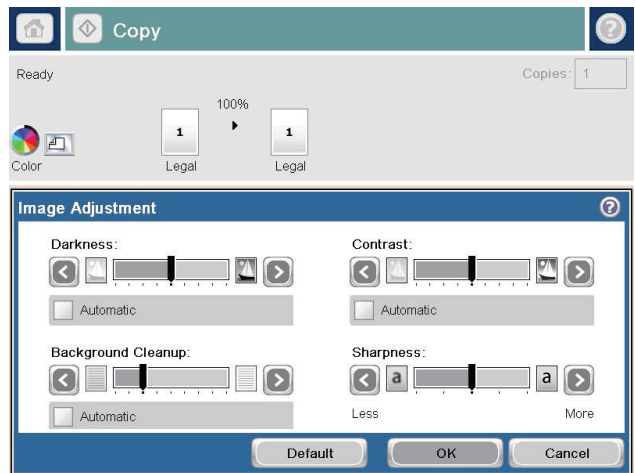
1. From the Home screen on the product control panel, touch the **Copy** button.




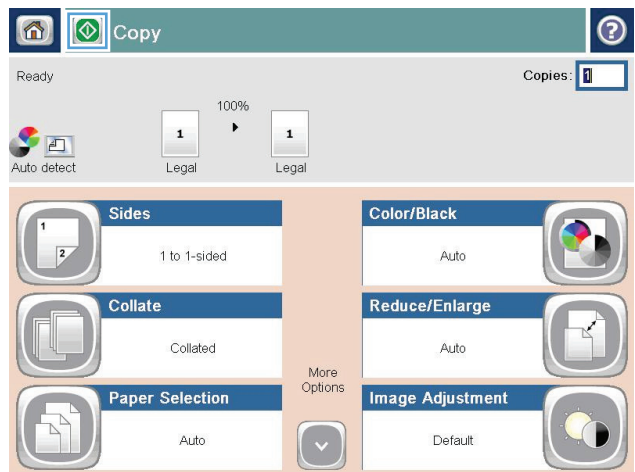
2. Touch the **Image Adjustment** button.



3. Adjust the sliders to set the **Darkness** level, the **Contrast** level, the **Sharpness** level, and the **Background Cleanup** level. Touch the **OK** button.

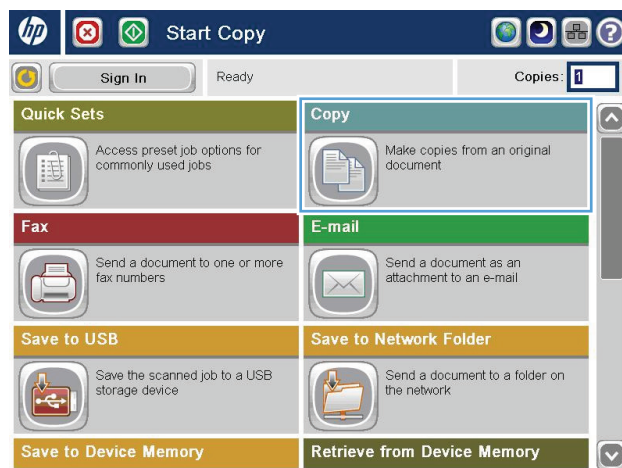


4. Touch the Start  button.

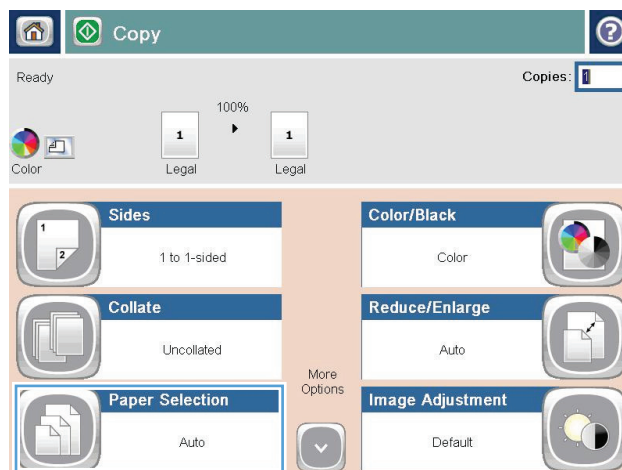


Set the paper size and type for copying on special paper

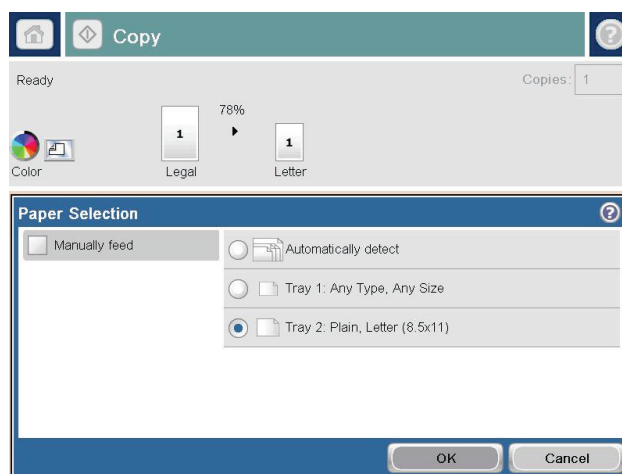
1. From the Home screen on the product control panel, touch the **Copy** button.



2. Touch the **Paper Selection** button.




3. Select the tray that holds the paper that you want to use, and then touch the **OK** button.



Use Job Build mode

Use the [Job Build](#) feature to combine several sets of original documents into one copy job. Also use this feature to copy an original document that has more pages than the document feeder can accommodate at one time.

1. Place the document face-down on the scanner glass, or place it face-up in the document feeder and adjust the paper guides to fit the size of the document.
2. From the Home screen on the product control panel, touch the [Copy](#) button.
3. Touch the [More Options](#) button, and then touch the [Job Build](#) button.
4. Touch the [Job Build on](#) button.
5. Touch the [OK](#) button.
6. If necessary, select copy options.
7. Touch the Start  button. After each page is scanned, the control panel prompts you for more pages.
8. If the job contains more pages, load the next page, and then touch the [Scan](#) button.

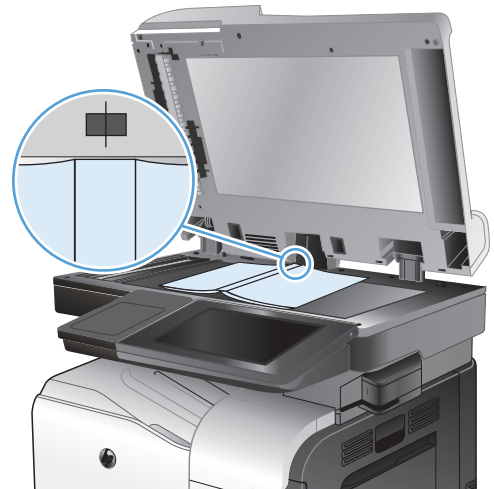
The product temporarily saves all the scanned images. Touch the [Finish](#) button to print the copy job.

Copy a book

1. Lift the scanner lid.



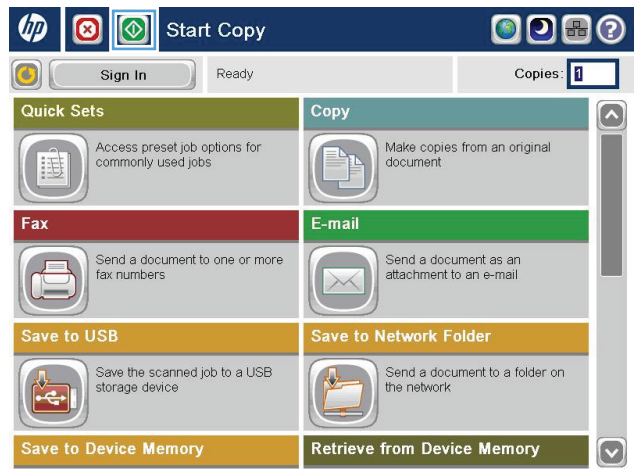
2. Place the book on the scanner glass with the spine aligned with the mark on the rear, center of the scanner glass.




3. Gently close the scanner lid.



4. From the Home screen on the product control panel, touch the Start  button.



5. Repeat these steps for each page that you want to copy.

 **NOTE:** This product does not have the capability to distinguish left and right pages. Assemble the copied pages carefully.

Copy a photo

Copy photos from the scanner glass.

1. Lift the scanner lid.




2. Place the photo on the scanner glass with the picture-side down and the upper-left corner of the photo in the upper-left corner of the glass.



3. Gently close the scanner lid.



4. From the Home screen on the product control panel, touch the **Copy** button.
5. Touch the **More Options** button at the bottom of the screen.
6. Touch the **Optimize Text/Picture** button.
7. Select the **Photograph** option, and then touch the **OK** button.
8. Touch the Start  button.

7 Scan/send


- [Set up scan/send features](#)
- [Change default scan/send settings from the product control panel](#)
- [Send a scanned document to a network folder](#)
- [Send a scanned document to a folder in the product memory](#)
- [Send a scanned document to a USB flash drive](#)
- [Send a scanned document to one or more email addresses](#)
- [Use the address book to send email](#)
- [Scan a photo](#)

Set up scan/send features


The product offers the following scan and send features:

- Scan and save files to a folder on your network.
- Scan and save files to the product memory.
- Scan and save files to a USB flash drive.
- Scan and send documents to one or more email addresses.

Some scan and send features are not available on the product control panel until you use the HP Embedded Web Server to enable them.

 **NOTE:** To find detailed information about using the HP Embedded Web Server, click the **Help** link in the upper-right corner of each HP Embedded Web Server page.

1. Open a Web page, and then enter the product IP address in the address line.
2. When the HP Embedded Web Server opens, click the **Scan/Digital Send** tab.
3. If you did not set up the **E-mail** feature during software installation, you can enable it by using the HP Embedded Web Server.
 - a. Click the **E-mail Setup** link.
 - b. Select the **E-mail** check box to enable the feature.
 - c. Select the outgoing mail server to use, or click the **Add** button to add a different server to the list. Follow the on-screen prompts.

 **NOTE:** If you do not know the name of the mail server, you can usually find it by opening your email program and looking at the outgoing mail configuration settings.

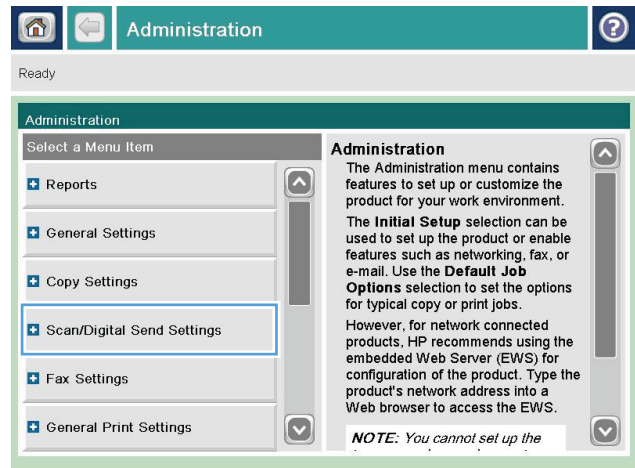
- d. In the **Address Message** area, configure the default setting for the From address.
 - e. Configuring the other settings is optional.
 - f. Click the **Apply** button at the bottom of the page.
4. Enable the **Save to Network Folder** feature.
 - a. Click the **Save to Network Folder Setup** link.
 - b. Select the **Save to Network Folder** check box to enable the feature.
 - c. In the **Quick Sets** area, click the **Add** button.
 - d. On the next screen, provide a name and a description for the Quick Set and specify the location where you want the Quick Set to appear on the control panel. Click the **Next** button.
 - e. On the next screen, select the type of Quick Set folder to use, and then click the **Next** button.

Change default scan/send settings from the product control panel

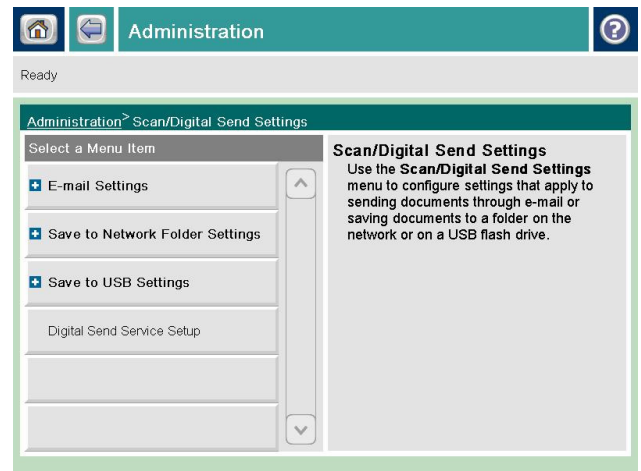
1. From the Home screen on the product control panel, scroll to and touch the **Administration** button.



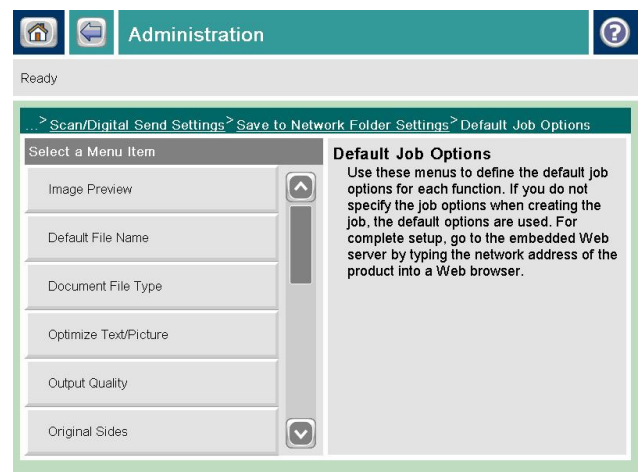
2. Open the **Scan/Digital Send Settings** menu.



3. Select the category of scan and send settings that you want to configure.



4. Open the Default Job Options menu, and configure the options. Touch the Save button to save the settings.



Send a scanned document to a network folder

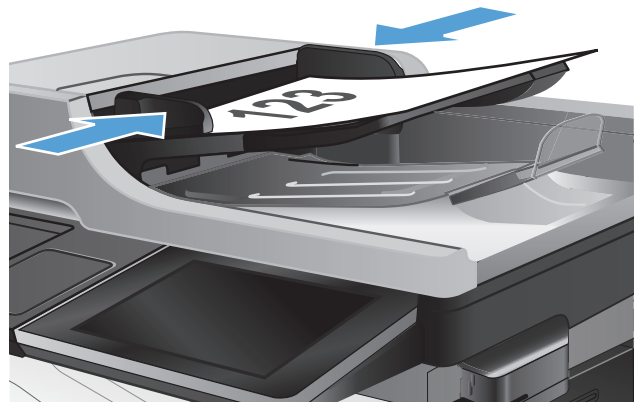
The product can scan a file and save it in a folder on the network. The following operating systems support this feature:

- Windows Server 2003, 64-bit
- Windows Server 2008, 64-bit
- Windows XP, 64-bit
- Windows Vista, 64-bit
- Windows 7, 64-bit
- Novell v5.1 and later (access to the [Quick Sets](#) folders only)

 **NOTE:** You might be required to sign in to the product to use this feature.

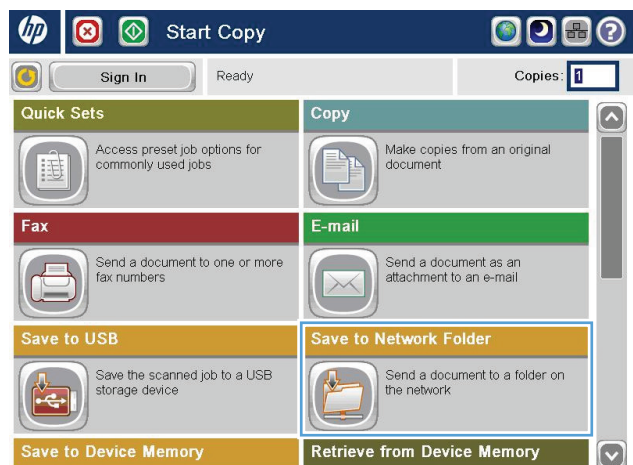
The system administrator can use the HP Embedded Web Server to configure pre-defined [Quick Sets](#) folders, or you can provide the path to another network folder.

1. Place the document face-down on the scanner glass, or place it face-up in the document feeder and adjust the paper guides to fit the size of the document.

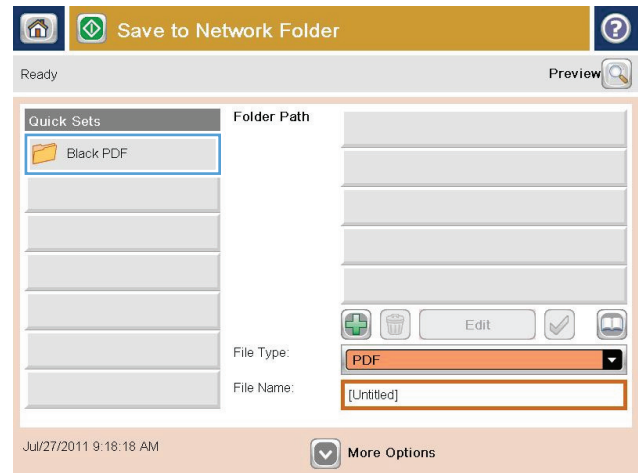


2. From the Home screen on the product control panel, touch the [Save to Network Folder](#) button.

NOTE: If prompted, type your user name and password.

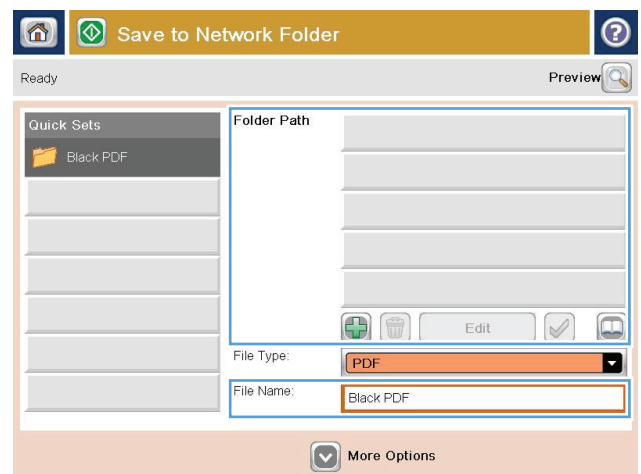


3. To use one of the preset job settings, select one of the items in the **Quick Sets** list.

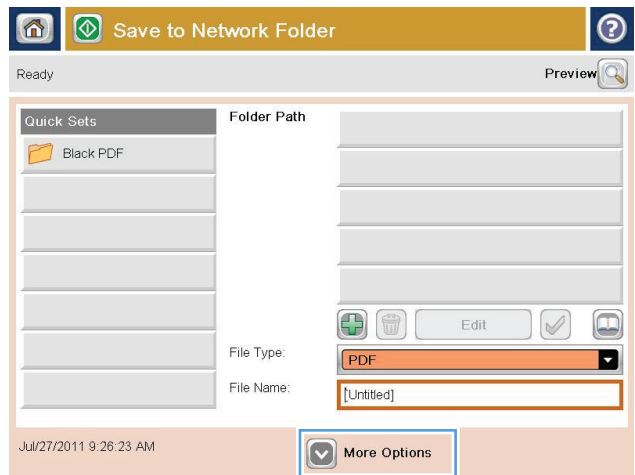


4. To set up a new job, type the name for the file in the **File Name**: text field, and type the path to the network folder in the **Folder Path** field. Use this format for the path:


\\path\path

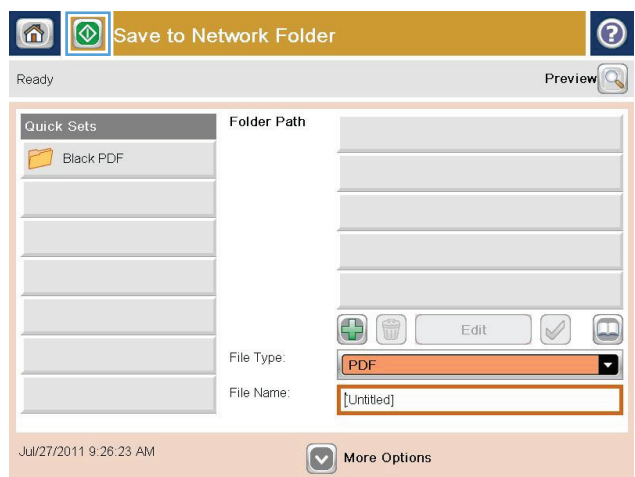


5. To configure settings for the document, touch the **More Options** button.



6. Touch the Start  button to save the file.

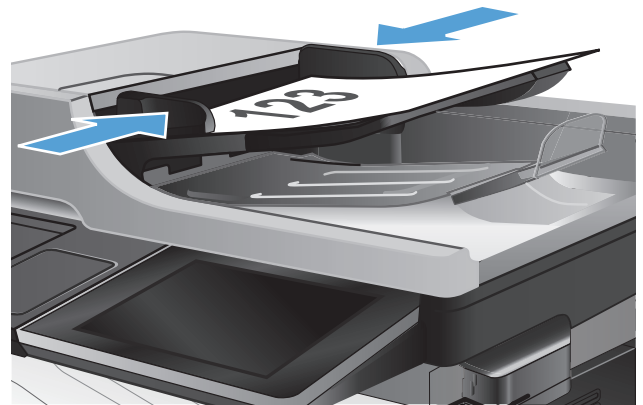
NOTE: You can preview the image at any time by touching the **Preview** button in the upper-right corner of the screen. For more information about this feature, touch the **Help**  button on the preview screen.



Send a scanned document to a folder in the product memory


Use this procedure to scan a document and save it on the product so you can print copies at any time.

1. Place the document face-down on the scanner glass, or place it face-up in the document feeder and adjust the paper guides to fit the size of the document.




2. From the Home screen on the product control panel, scroll to and touch the [Save to Device Memory](#) button.

NOTE: If prompted, enter your user name and password.

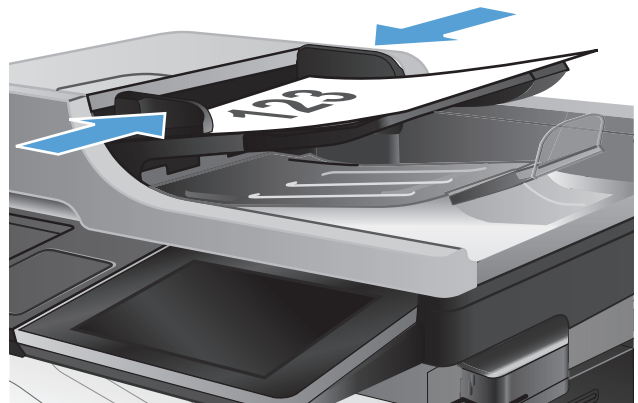
3. Select an existing folder, or touch the [New Folder](#) button to create a new folder.
4. Enter the name for the file in the [File Name:](#) field.
5. To configure settings for the document, touch the [More Options](#) button.
6. Touch the Start  button to save the file.

Send a scanned document to a USB flash drive

The product can scan a file and save it in a folder on a USB flash drive.

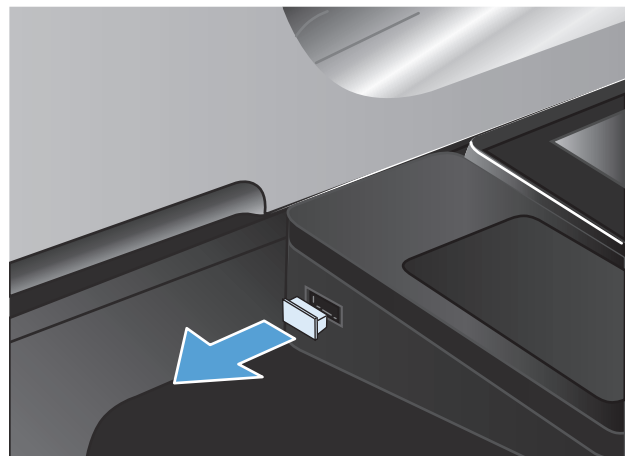
 **NOTE:** You might be required to sign in to the product to use this feature.

1. Place the document face-down on the scanner glass, or place it face-up in the document feeder and adjust the paper guides to fit the size of the document.



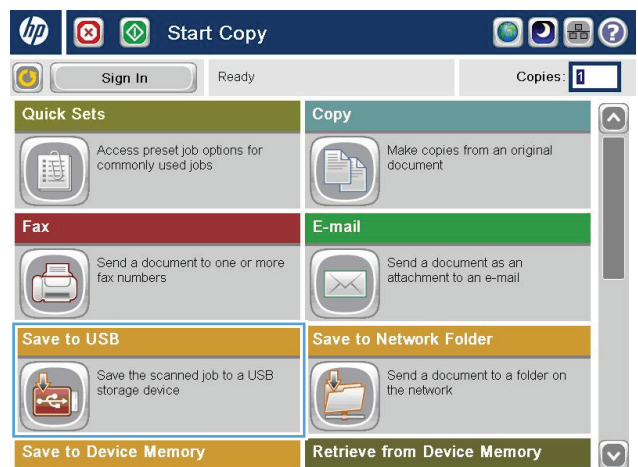
2. Insert the USB flash drive into the USB port on the left side of the product control panel.

NOTE: You might need to remove the cover from the USB port.

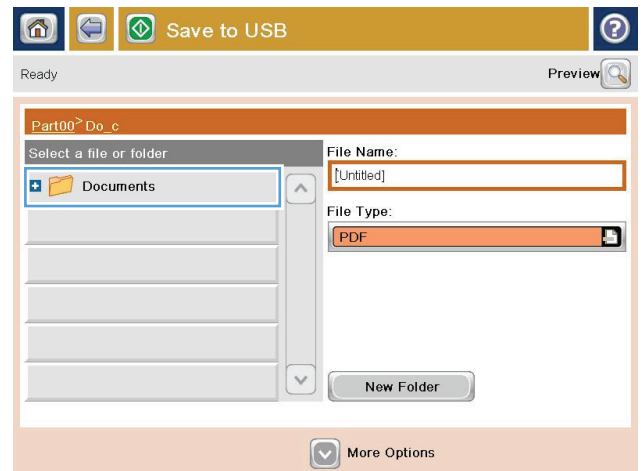


3. From the Home screen on the product control panel, scroll to and touch the **Save to USB** button.

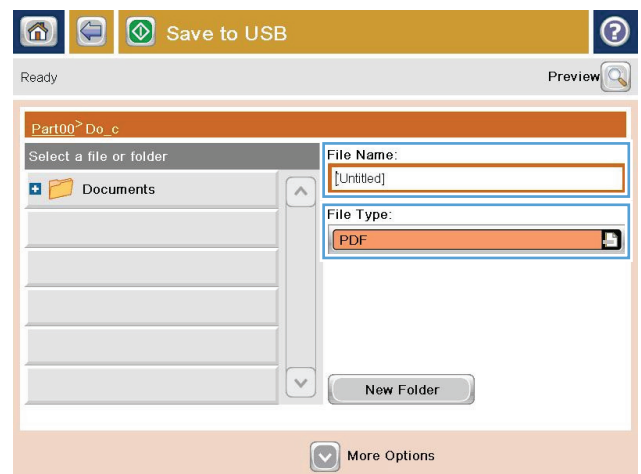
NOTE: If prompted, enter your user name and password.



4. Select one of the folders in the list, or touch the **New Folder** button to create a new folder on the USB flash drive.




5. Enter the name for the file in the **File Name:** field. Touch the **OK** button. Select the file type from the **File Type** drop-down list. Touch the **OK** button.



- To configure settings for the document, touch the **More Options** button.



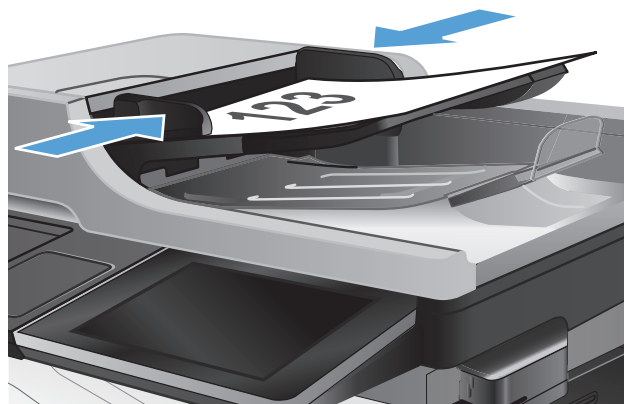
- Touch the Start  button to save the file.

NOTE: You can preview the image at any time by touching the **Preview** button in the upper-right corner of the screen. For more information about this feature, touch the **Help**  button on the preview screen.



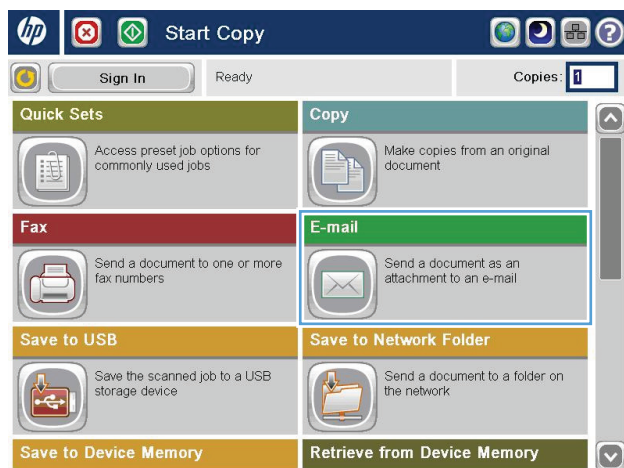
Send a scanned document to one or more email addresses

1. Place the document face-down on the scanner glass, or place it face-up in the document feeder and adjust the paper guides to fit the size of the document.



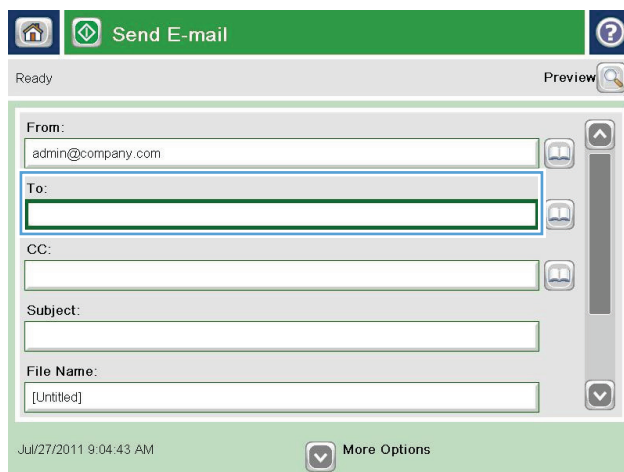
2. From the Home screen on the product control panel, touch the **E-mail** button.

NOTE: If prompted, type your user name and password.

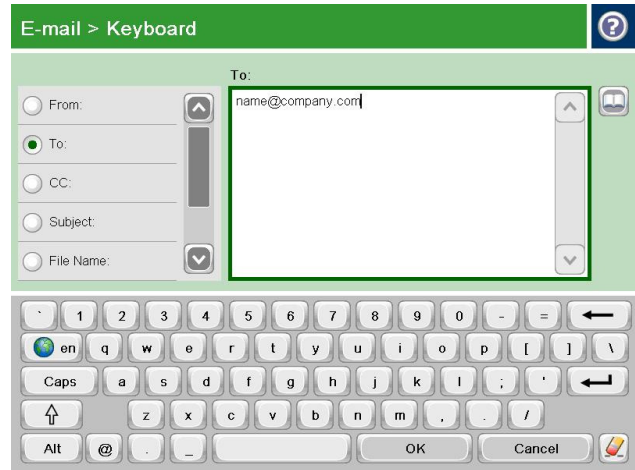


3. Touch the **To** field to open a keypad.

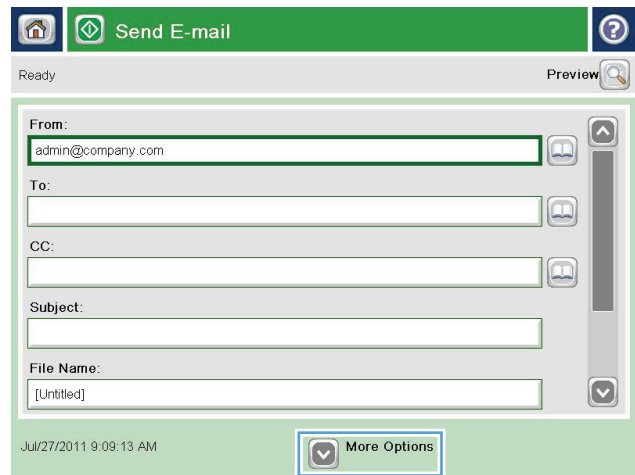
NOTE: If you are signed in to the product, your user name or other default information might appear in the **From:** field. If so, you might not be able to change it.



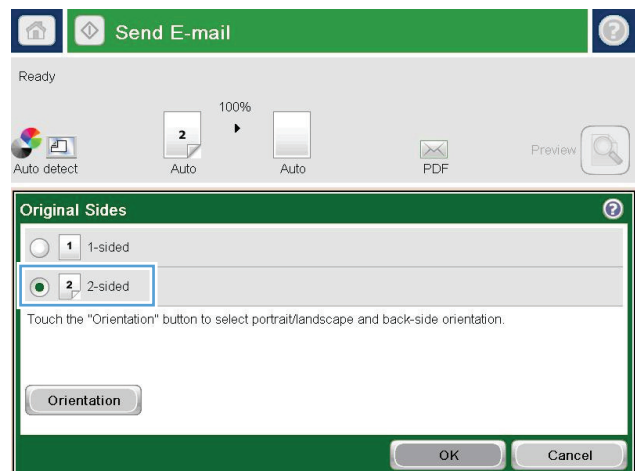
- 4. To send to multiple addresses, separate the addresses with a semicolon, or touch the **Enter** button on the touchscreen keypad after you type each address.




- 5. Complete the **CC:**, **Subject:**, and **File Name:** fields by touching the field and using the touchscreen keypad to enter information.
- 6. To change the settings for the document touch the **More Options** button.



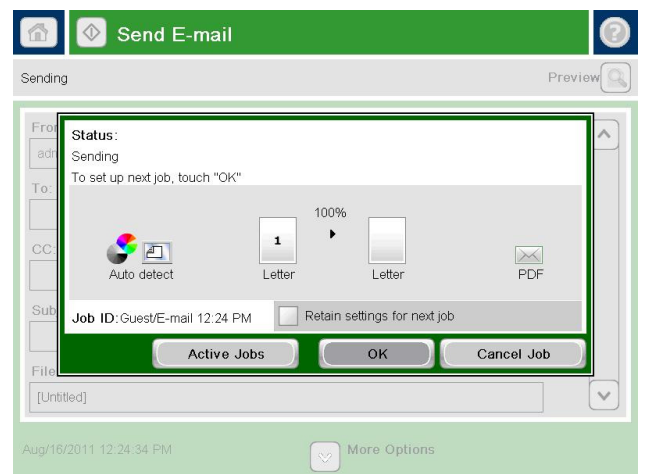
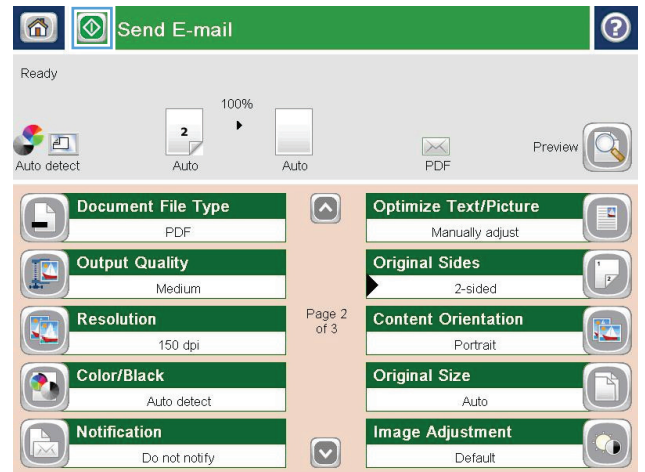
- 7. If you are sending a two-sided document, select the **Original Sides** menu and select the **2-sided** option. Touch the **OK** button.



8. Touch the Start  button to begin sending.

NOTE: You can preview the image at any time by touching the [Preview](#) button in the upper-right corner of the screen. For more information about this feature, touch the [Help](#)  button on the preview screen.


9. To set up another email job, touch the [OK](#) button on the Status screen.



Use the address book to send email

You can send email to a list of recipients by using the address book. Depending on how the product is configured, you might have one or more of the following address book viewing options.

- **All Contacts:** Lists all the contacts that are available to you.
- **Personal Contacts:** Lists all the contacts that are associated with your user name. These contacts are not visible to other people who use the product.

 **NOTE:** You must be signed in to the product to see the [Personal Contacts](#) list.

- **Local Contacts:** Lists all the contacts that are stored in the product memory. These contacts are visible to all people who use the product.

Add contacts to the address book from the product control panel

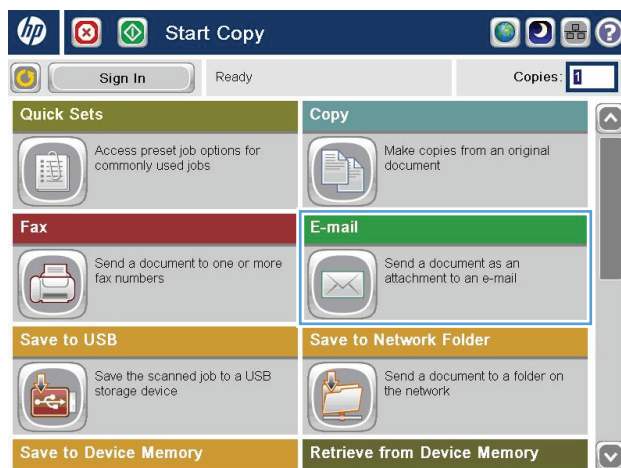
If you are signed in to the product, contacts that you add to the address book will not be visible to other people who use the product.


If you are not signed in to the product, contacts that you add to the address book will be visible to all people who use the product.

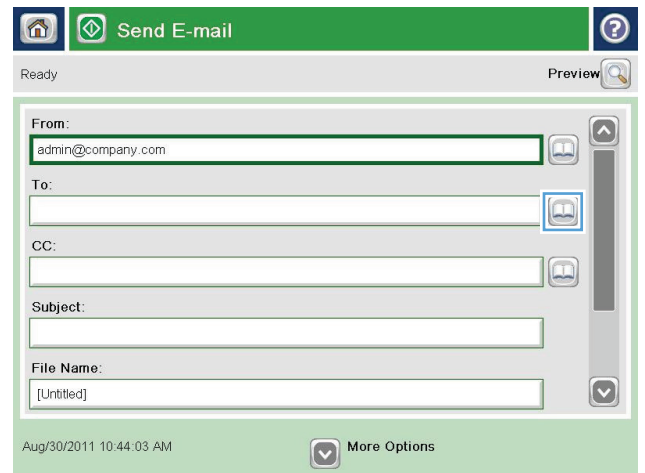
 **NOTE:** You can also use the HP Embedded Web Server (EWS) to create and manage the address book.


1. From the Home screen on the product control panel, touch the [E-mail](#) button.

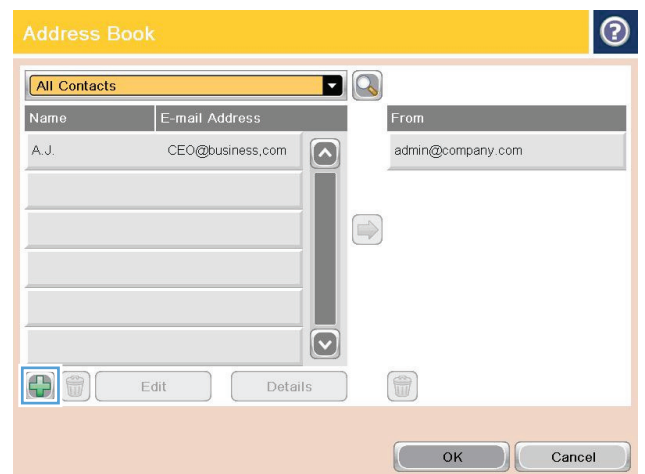
NOTE: If prompted, enter your user name and password.



2. Touch the Address Book  button that is next to the To: field to open the Address Book screen.



3. Touch the Add  that is in the lower left corner of the screen.

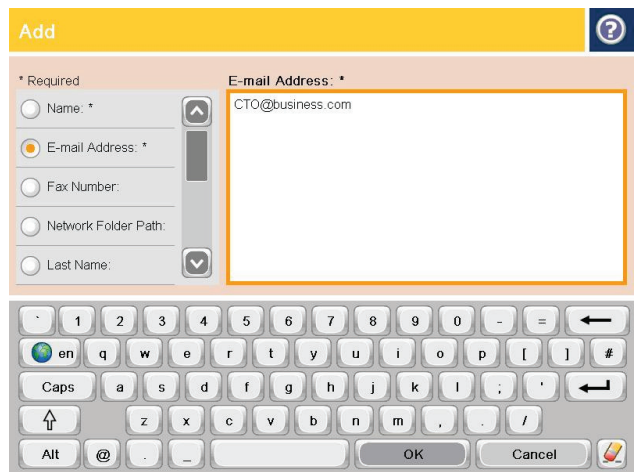


4. In the **Name** field, enter the name of the contact.



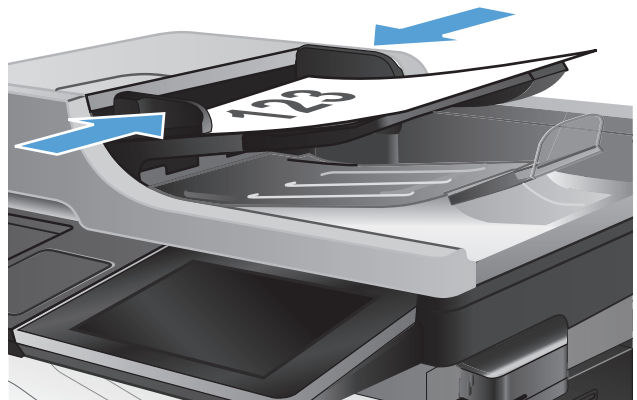
5. From the menu list, select the **E-mail Address** option, and then enter the contact's email address.

Touch the **OK** button to add the contact to the list.




Send a document to email by using the address book

1. Place the document face-down on the scanner glass, or place it face-up in the document feeder and adjust the paper guides to fit the size of the document.

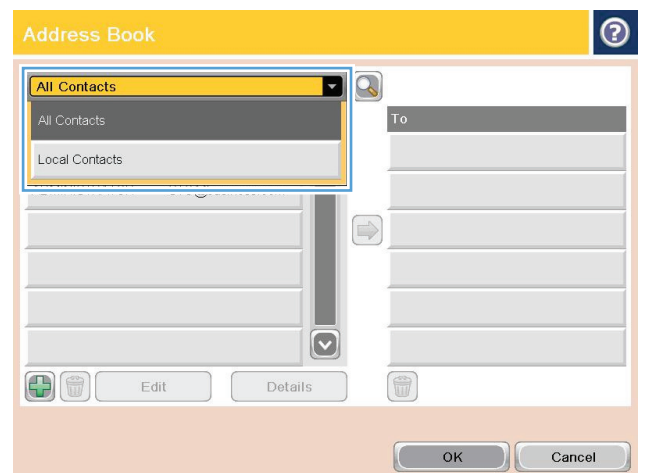
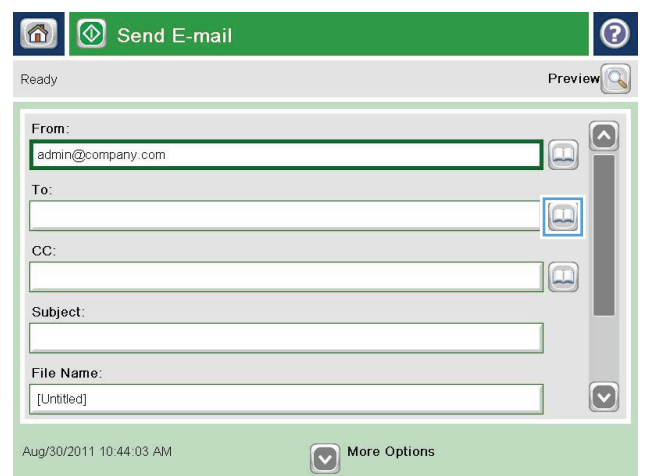
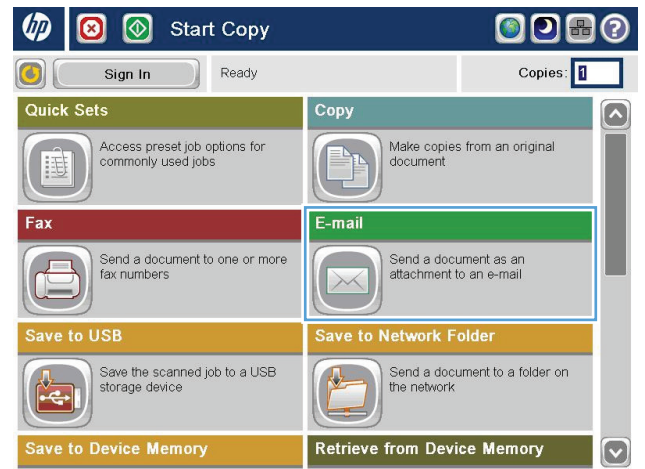



- From the Home screen on the product control panel, touch the **E-mail** button.

NOTE: If prompted, enter your user name and password.

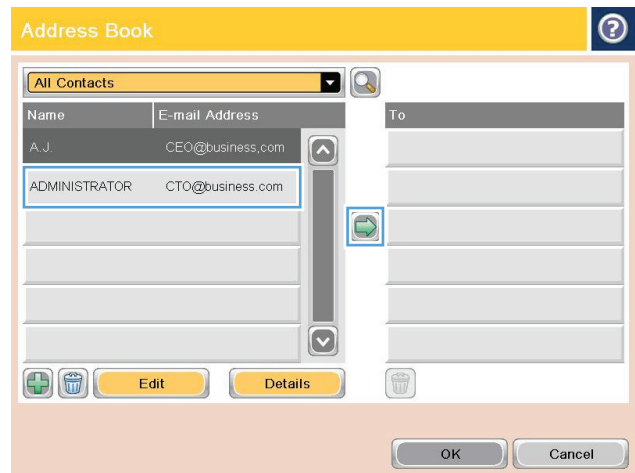
- Touch the Address Book  button that is next to the **To:** field to open the **Address Book** screen.

- From the drop-down list, select the address book view that you want to use.




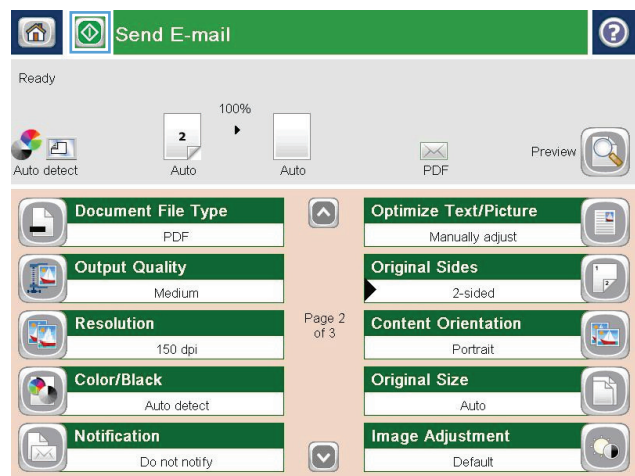
5. Select a name from the list of contacts, and then touch the right arrow Address Book  button to add the name to the recipients list.

Repeat this step for each recipient, and then touch the **OK** button.



6. Touch the Start  button to begin sending.

NOTE: You can preview the image at any time by touching the **Preview** button in the upper-right corner of the screen. For more information about this feature, touch the **Help**  button on the preview screen.



Scan a photo

1. Lift the scanner lid.




2. Place the photo on the scanner glass with the picture-side down and the upper-left corner of the photo in the upper-left corner of the glass.



3. Gently close the scanner lid.



4. From the Home screen on the product control panel, touch one of the buttons for the scan/send features:
 - Save to Network Folder
 - Save to Device Memory
 - Save to USB
5. Select an existing folder, or touch the **New Folder** button to create a new folder.
6. Enter the name for the file in the **File Name:** field.
7. Touch the **More Options** button at the bottom of the screen.
8. Touch the **Optimize Text/Picture** button.
9. Select the **Photograph** option, and then touch the **OK** button.
10. Touch the Start  button.



NOTE: These settings are temporary. After you have finished the job, the product returns to the default settings.

8 Fax


- [Configure required fax settings](#)
- [Configure fax dialing settings](#)
- [Configure general fax send settings](#)
- [Configure fax billing codes](#)
- [Configure default options for fax send jobs](#)
- [Configure fax receive settings](#)
- [Use a fax printing schedule](#)
- [Block incoming faxes](#)
- [Configure default options for fax receive jobs](#)
- [Fax archiving and forwarding](#)
- [Create a speed dial list](#)
- [Add a number to an existing speed dial list](#)
- [Delete a speed dial list](#)
- [Delete a single number from a speed dial list](#)
- [Send a fax by entering numbers manually](#)
- [Send a fax by using a speed dial](#)
- [Search a speed-dial list by name](#)
- [Send a fax by using fax address book numbers](#)
- [Search the fax address book](#)
- [Cancel a fax](#)
- [Fax reports](#)


Configure required fax settings

You must configure certain settings before you can use the fax feature. If these settings are not configured, the fax icon is unavailable. These settings include:

- [Country/region](#)
- [Date/Time](#)
- [Company Name](#)
- [Fax Number](#)
- [Dialing Prefix](#) (optional)

This information is used in the fax header, which is for printing on all outgoing faxes.

 **NOTE:** When first installed, the fax accessory might read some of these settings from the product; therefore, a value might already be set. Check the values to verify that they are correct.

 **NOTE:** In the U.S. and many other countries/regions, setting the date, time, country/region, phone number, and company name is a legal requirement for fax.

Fax Setup Wizard


The Fax Setup Wizard guides you through a step-by-step procedure to configure fax settings that are required to use the fax feature. If the settings are not configured, the fax feature is disabled.


The first time the product is turned on with a fax accessory installed, access the Fax Setup Wizard by following these steps:

1. From the Home screen on the product control panel, touch the [Initial Setup](#) button.
2. Touch the [Fax Setup Wizard](#) menu.
3. Follow the steps in the Fax Setup Wizard to configure the required settings.
4. When the Fax Setup Wizard finishes, the option to hide the [Initial Setup](#) button appears on the Home screen.

Access the Fax Setup Wizard *after* initial setup through the control panel by following these steps:

1. From the Home screen on the product control panel, scroll to and touch the [Administration](#) button.
2. Open the following menus:
 - [Fax Settings](#)
 - [Fax Send Settings](#)
 - [Fax Send Setup](#)
 - [Fax Setup Wizard](#)
3. Follow the steps in the Fax Setup Wizard to configure the required settings. Fax setup is complete.

 **NOTE:** The settings configured using the Fax Setup Wizard on the control panel override any settings made in the HP Embedded Web Server.

 **NOTE:** If the Fax Settings menu does not appear in the menu listing, LAN or internet fax might be enabled. When LAN or internet fax is enabled, the analog fax accessory is disabled and the Fax Settings menu does not display. Only one fax feature, either LAN fax, analog fax, or internet fax, can be enabled at a time. If you want to use analog fax when LAN fax is enabled, use the HP MFP Digital Sending Software Configuration Utility or the HP Embedded Web Server to disable LAN fax.

Set or verify the date and time

The date and time setting for the fax accessory is the same value as the product date and time setting. Use the Fax Setup Wizard to provide this information, or follow these steps:

1. From the Home screen on the product control panel, scroll to and touch the [Administration](#) button.
2. Open the following menus:
 - [General Settings](#)
 - [Date/Time Settings](#)
 - [Date/Time](#)
3. Touch the correct [Time Zone](#) setting for your locale.
4. Touch the [Month](#) drop-down menu and select a month.
5. Touch the boxes next to the [Date](#) drop-down menu to enter the day and year from the keypad.
6. Touch the boxes below the [Time](#) heading to enter the hour and minutes from the keypad, and then touch the [AM](#) or [PM](#) button.
7. Touch the [Adjust for Daylight Savings](#) feature, if necessary.
8. Touch the [Save](#) button to save the settings.

Set or verify the date/time format

The date and time format setting for the fax accessory is in the same format as the product date and time setting. Use the Fax Setup Wizard to provide this information, or follow these steps:

1. From the Home screen on the product control panel, scroll to and touch the [Administration](#) button.
2. Open the following menus:
 - [General Settings](#)
 - [Date/Time Settings](#)
 - [Date/Time Format](#)
3. Touch a [Date Format](#) option.

4. Touch a [Time Format](#) option.
5. Touch the [Save](#) button to save the settings.

Configure fax dialing settings

1. From the Home screen on the product control panel, scroll to and touch the [Administration](#) button.
2. Open the following menus:
 - [Fax Settings](#)
 - [Fax Send Settings](#)
 - [Fax Send Setup](#)
 - [Fax Dialing Settings](#)

Configure any of the following settings:

Menu item	Description
Fax Dial Volume	Use the Fax Dial Volume setting to control the product's dialing volume level when sending faxes.
Dialing Mode	The Dialing Mode setting sets the type of dialing that is used: either tone (touch-tone phones) or pulse (rotary-dial phones).
Fax Send Speed	The Fax Send Speed setting sets the modem bit rate (measured in bits per second) of the Analog Fax modem while sending a fax. <ul style="list-style-type: none">• Fast (default) — v.34/max 33,600 bps• Medium — v.17/max 14,600 bps• Slow — v.29/max 9,600 bps
Redial Interval	The Redial Interval setting selects the number of minutes between retries if the number dialed is busy or not answering, or if an error occurs. NOTE: You might observe a redial message on the control panel when both the Redial On Busy and Redial On No Answer settings are set to off. This occurs when the fax accessory dials a number, establishes a connection, and then loses the connection. As a result of this error condition, the fax accessory performs three automatic redial attempts regardless of the redial settings. During this redial operation, a message displays on the control panel to indicate that a redial is in progress.
Redial on error	The Redial on error feature sets the number of times a fax number will be redialed when an error occurs during a fax transmission.
Redial On Busy	The Redial On Busy setting selects the number of times (0 through 9) the fax accessory redials a number when the number is busy. The interval between retries is set by the Redial Interval setting.
Redial On No Answer	The Redial On No Answer setting selects the number of times the fax accessory redials if the number dialed does not answer. The number of retries is either 0 to 1 (used in the U.S.) or 0 to 2, depending on the country/region setting. The interval between retries is set by the redial interval setting.

Menu item	Description
Detect Dial Tone	The Detect Dial Tone setting determines whether the fax checks for a dial tone before sending a fax.
Dialing Prefix	The Dialing Prefix setting allows you to enter a prefix number (such as a "9" to access an outside line) when dialing. This prefix number is automatically added to all phone numbers when dialed.

Configure general fax send settings

1. From the Home screen on the product control panel, scroll to and touch the [Administration](#) button.
2. Open the following menus:
 - [Fax Settings](#)
 - [Fax Send Settings](#)
 - [Fax Send Setup](#)
 - [General Fax Send Settings](#)

Configure any of the following settings:

Menu item	Description
Fax Number Confirmation	When the Fax Number Confirmation feature is enabled, the fax number must be entered twice to ensure that it was entered correctly. The feature is disabled by default.
PC Fax Send	Use the PC Fax Send feature to send faxes from a PC. This feature is enabled by default.
Fax Header	Use the Fax Header feature to control whether the header is appended to the top, and content is shifted down, or if the header is overlaid on top of the previous header.
JBIG Compression	<p>Enabling the JBIG Compression feature can reduce phone-call charges by reducing fax transmission time and might be the preferred setting. However, using the JBIG Compression feature might cause compatibility problems when communicating with some older fax machines, in which case you might need to disable it.</p> <p>NOTE: The JBIG Compression feature works only when both the sending and receiving machines have this setting.</p>
Error Correction Mode	<p>Normally, the fax accessory monitors the signals on the telephone line while it is sending or receiving a fax. If the fax accessory detects an error during the transmission and the Error Correction Mode setting is on, the fax accessory can request that the error portion of the fax be sent again.</p> <p>The Error Correction Mode feature is enabled by default. You should turn it off only if you are having trouble sending or receiving a fax and if you are willing to accept the errors in the transmission and a probable quality reduction in the image. Turning off the setting might be useful when you are trying to send a fax overseas or receive one from overseas, or if you are using a satellite telephone connection.</p> <p>NOTE: Some VoIP providers might suggest turning off the Error Correction Mode setting. However, this is not usually necessary.</p>

Configure fax billing codes

The billing-code setting, when enabled, prompts the user to enter a number when sending a fax. This number is placed in the billing-code report. To view the billing-code report, either print the report or query it by using an application.

Billing codes are disabled by default. Follow these steps to enable billing codes:

1. From the Home screen on the product control panel, scroll to and touch the [Administration](#) button.
2. Open the following menus:
 - [Fax Settings](#)
 - [Fax Send Settings](#)
 - [Fax Send Setup](#)
 - [Billing Codes](#)
3. Touch the [Enable Billing Codes](#) feature to enable billing codes.



NOTE: To disable billing codes, deselect the [Enable Billing Codes](#) feature, touch the [Save](#) button, and then skip the remaining steps.

To allow users to edit billing codes, select the [Allow users to edit billing codes](#) box.

4. Touch the [Default Billing Code](#) field to open the keyboard.
5. Enter the billing code and then touch the [OK](#) button.
6. Touch the [Minimum Length](#) field to open the keypad.
7. Type the minimum number of digits you want in the billing code, and then touch the [OK](#) button.
8. Touch the [Save](#) button.

Configure default options for fax send jobs

 **NOTE:** Default job option settings are shared across all fax methods; analog, LAN, and internet fax.

1. From the Home screen on the product control panel, scroll to and touch the [Administration](#) button.
2. Open the following menus:
 - [Fax Settings](#)
 - [Fax Send Settings](#)
 - [Default Job Options](#)

Configure any of the following settings:

Menu item	Description
Resolution	<p>The outgoing fax resolution setting determines the maximum resolution supported by the receiving fax. The fax accessory uses the highest possible resolution common to the sending and receiving fax machines (as limited by this setting).</p> <p>NOTE: Faxes wider than 21.25 cm (8.5 inches) are automatically sent by using standard or fine resolution, to reduce phone time.</p> <p>NOTE: The higher the resolution, the longer the transmission time required.</p> <p>NOTE: LAN fax resolution settings vary by vendor and might differ from the settings listed.</p>
Original Sides	Use the Original Sides feature to select 1-sided or 2-sided originals.
Notification	Use the Notification feature to select when and how you are notified of the status of an outgoing fax. This setting applies to the current fax only. To change the setting permanently, change the default setting.
Content Orientation	Use the Content Orientation feature to set how the fax content is oriented on the page. For 1-sided pages, choose Portrait (short-edge on top, default setting) or Landscape (long-edge on top). For 2-sided pages, choose Book-style (short-edge on top) or Flip-style (long-edge on top).
Original Size	Use the Original Size feature to match your fax content to the size of the original document.
Image Adjustment	<p>Use the Image Adjustment feature to adjust the Darkness, Contrast, Background Cleanup, or Sharpness settings.</p> <p>In some cases, a gray background on the document causes the fax to transmit more slowly.</p> <p>NOTE: Touch the Default button to reset the sharpness setting to the factory setting.</p>
Optimize Text/Picture	Use the Optimize Text/Picture feature to produce fax output that best matches the original. Sending graphics and photos in text mode results in lower quality images.
Job Build	Use the Job Build feature to combine multiple originals into a single fax job.
Blank Page Suppression	Use the Blank Page Suppression feature to prevent blank pages in a fax from being printed.

Configure fax receive settings

1. From the Home screen on the product control panel, scroll to and touch the [Administration](#) button.
2. Open the following menus:
 - [Fax Settings](#)
 - [Fax Receive Settings](#)
 - [Fax Receive Setup](#)

Configure any of the following settings:

Menu item	Description
Ringer Volume	Touch the Ringer Volume drop-down menu and adjust the ringer volume settings.
Rings To Answer	<p>The Rings To Answer setting determines the number of times the phone rings before the call is answered by the fax accessory.</p> <p>NOTE: The default range for the available options for the Rings To Answer setting is country/region-specific. The range of possible Rings To Answer options is limited by country/region.</p> <p>If you experience problems with the fax accessory answering, and the Rings To Answer setting is 1, try increasing it to 2.</p>
Fax Receive Speed	<p>Touch the Fax Receive Speed drop down menu and select one of the following options:</p> <ul style="list-style-type: none">• Fast (default) — v.34/max 33,600 bps• Medium — v.17/max 14,600 bps• Slow — v.29/max 9,600 bps
Ring Interval	Touch the box beneath the Ring Interval heading to open the keypad. Enter a value for the ring interval on the keypad, and then touch the OK button. The default setting for ring interval is 600 ms.
Ring Frequency	Touch the box beneath the Ring Frequency heading to open the keypad. Enter a value for the ring frequency on the keypad, and then touch the OK button. The default setting for ring frequency is 68 Hz, which detects rings up to 68 Hz.

Use a fax printing schedule



NOTE: Before enabling a fax-printing schedule, a schedule must be created.

1. From the Home screen on the product control panel, scroll to and touch the [Administration](#) button.
2. Open the following menus:
 - [Fax Settings](#)
 - [Fax Receive Settings](#)
 - [Fax Printing Schedule](#)
3. Touch the [Use Fax Printing Schedule](#) option.
4. Touch the [Schedule](#) button.
5. Touch the [Fax Printing Mode](#) button.
6. Touch the green plus sign to open the [Schedule a Weekly Fax Event](#) screen.
7. Select an option under the [Event Type](#) heading:
 - [Print incoming faxes](#)
 - [Store incoming faxes](#)
8. Touch the [Time](#) fields to open the keypad and then enter the hour and minute values when incoming faxes will be printed or stored.
9. Touch the [Event Days](#) buttons for the days to apply the fax printing schedule.
10. Touch the [OK](#) button.
11. Touch the [Save](#) button to save the fax printing schedule.
12. Touch the [Save](#) button to enable fax printing schedule.



NOTE: Only one fax printing schedule can be applied per day.

Block incoming faxes

Use the fax block list setting to create a list of blocked phone numbers. When a fax is received from a blocked phone number, the fax is not printed and is immediately deleted from memory.

Create a blocked-fax list

1. From the Home screen on the product control panel, scroll to and touch the [Administration](#) button.
2. Open the following menus:
 - [Fax Settings](#)
 - [Fax Receive Settings](#)
 - [Blocked Fax Numbers](#)
3. Touch the [Fax Number to Block](#) field to display the keyboard.
4. Type a number and then touch the [OK](#) button.
5. Touch the green arrow to move the number to the [Blocked Fax Numbers](#) list.



NOTE: To add additional blocked fax numbers, repeat steps 3 through 5.

6. Touch the [Save](#) button to save the blocked fax numbers list.

Delete numbers from the blocked-fax list

1. From the Home screen on the product control panel, scroll to and touch the [Administration](#) button.
2. Open the following menus:
 - [Fax Settings](#)
 - [Fax Receive Settings](#)
 - [Blocked Fax Numbers](#)
3. Touch the number to be deleted from the [Blocked Fax Numbers](#) list, touch the [Delete](#) button, and then touch the [Save](#) button.
4. Touch the [OK](#) button to confirm the deletion of the number.
5. Repeat steps 3 and 4 to delete more numbers from the [Blocked Fax Numbers](#) list, or touch the [Delete All](#) button, and then touch the [Save](#) button, to delete all numbers from the [Blocked Fax Numbers](#) list at once.

Configure default options for fax receive jobs

 **NOTE:** Default job option settings are shared across all fax methods; analog, LAN, and internet fax.

1. From the Home screen on the product control panel, scroll to and touch the [Administration](#) button.
2. Open the following menus:
 - [Fax Settings](#)
 - [Fax Receive Settings](#)
 - [Default Job Options](#)

Configure any of the following settings:

Menu item	Description
Notification	The Notification setting controls when the fax call report is printed for incoming faxes.
Stamp Received Faxes	The Stamp Received Faxes setting enables or disables stamping incoming faxes. The stamp prints the date, time, phone number, and page number on each incoming page.
Fit to Page	When selecting a page size to print a fax, the product determines the closest page size that matches the intended size from sizes available in the product. If the fit-to-page setting is enabled and the received image is larger than that page size, the product attempts to scale the image to fit the page. If this setting is disabled, an incoming image larger than the page splits across pages.
Paper Selection	Use the Paper Selection feature to specify which tray to use for printing faxes.
Sides	Use the Sides feature to specify 1-sided or 2-sided output for faxes.

Fax archiving and forwarding

Use the fax archive feature to save archival copies of all incoming faxes, all outgoing faxes, or both, to a specified email address.

Use the fax forwarding feature to forward all received faxes, all outgoing faxes, or both, to another fax number. When fax forwarding is enabled, the receiving product prints the fax and also forwards the fax to the fax forward number.



NOTE: To use the [Archive to Email Address](#) feature, the SMTP server must be configured, and responding. Use the HP Embedded Web Server to configure the SMTP server. The **E-mail Setup** settings are on the **Scan/Digital Send** tab.

Enable fax archiving

1. From the Home screen on the product control panel, scroll to and touch the [Administration](#) button.
2. Open the following menus:
 - [Fax Settings](#)
 - [Fax Archive and Forwarding](#)
3. Touch the [Enable Fax Archiving](#) box.
4. Select one of the following options from the [Type of Fax Job to Archive](#) drop-down menu:
 - [Send and receive](#) (default)
 - [Send only](#)
 - [Receive only](#)
5. Touch the [Fax Archiving E-mail Address](#) field to open the keypad.
6. Type the email address where faxes will be forwarded, and then touch the [OK](#) button.
7. Touch the [Save](#) button.

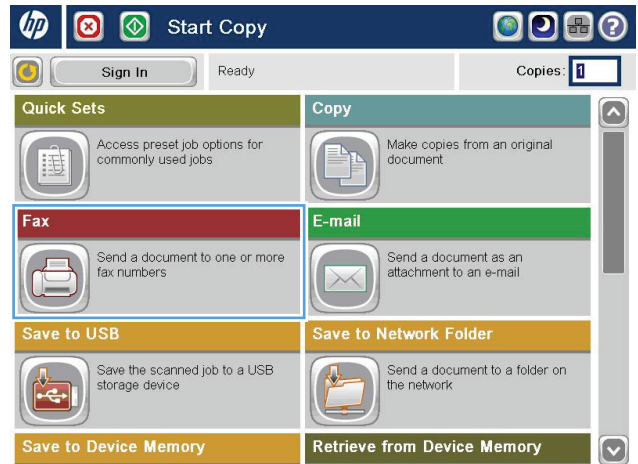
Enable fax forwarding

1. From the Home screen on the product control panel, scroll to and touch the [Administration](#) button.
2. Open the following menus:
 - [Fax Settings](#)
 - [Fax Archive and Forwarding](#)
3. Touch the [Enable Fax Forwarding](#) box.

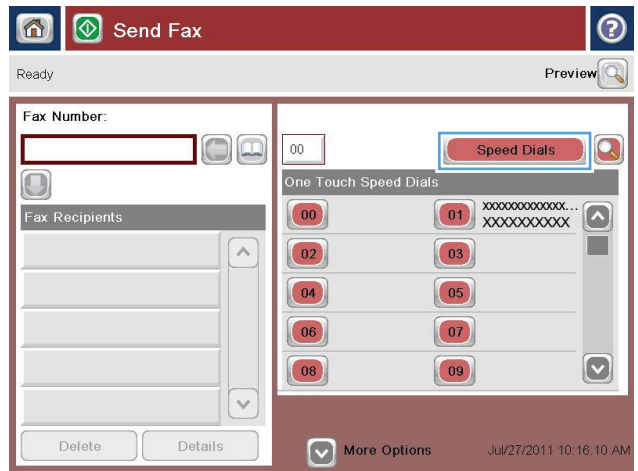
4. Select one of the following options from the **Type of Fax Job to Forward** drop-down menu:
 - **Send and receive**
 - **Send only**
 - **Receive only (default)**
5. Touch the **Fax Forwarding Number** field to open the keypad.
6. Type the number where faxes will be forwarded, and then touch the **OK** button.
7. Touch the **Save** button.

Create a speed dial list

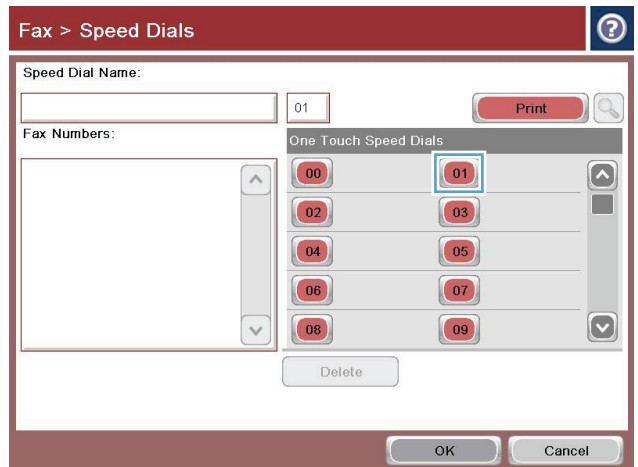
1. From the Home screen on the product control panel, touch the **Fax** button.



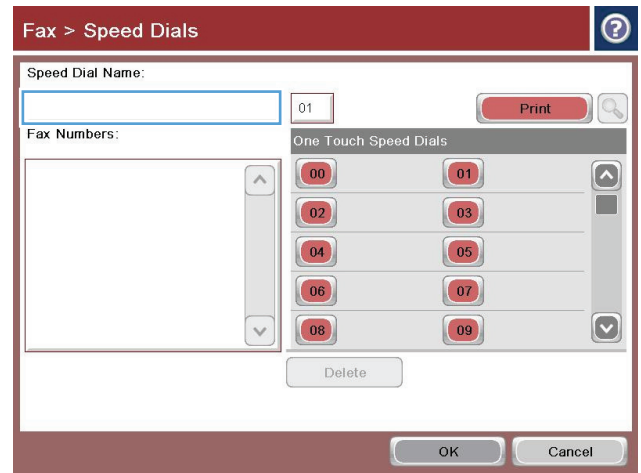
2. Touch the **Speed Dials** button to display the **Speed Dials** screen.



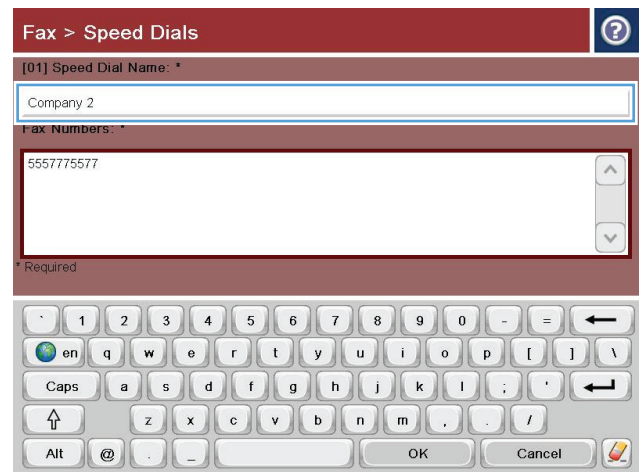
3. Touch one of the unassigned **One Touch Speed Dials** numbers.



4. Touch the **Speed Dial Name** field to display the keyboard.



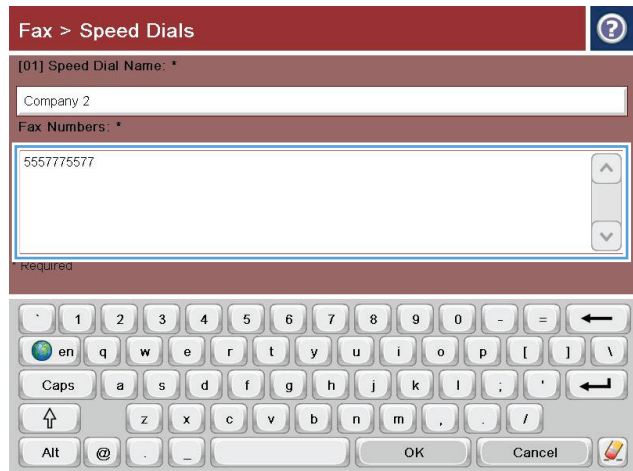
5. Type a name for the speed dial.



6. Type a fax number for the speed dial.

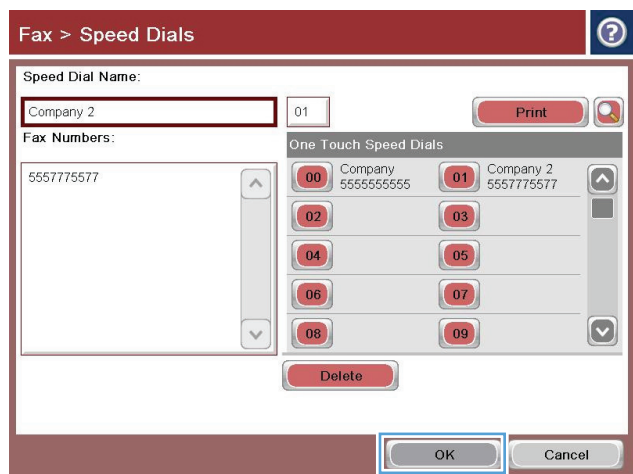
NOTE: To enter additional fax numbers for a speed dial, touch the screen to the right of the last digit of the previously entered fax number. When the cursor appears, touch the enter key to move the cursor to the next line. Repeat this step to enter all the numbers for the speed dial.

Touch the **OK** button.



7. The name and fax number (or numbers) display next to the selected **One Touch Speed Dials** number.

Touch the **OK** button to return to the **Fax** screen.



Add a number to an existing speed dial list

1. From the Home screen on the product control panel, scroll to and touch the **Fax** button.
2. Touch the **Speed Dials** button to display the **Speed Dials** screen.
3. Touch the **One Touch Speed Dials** number of the list to be edited.
4. Touch the down arrow on the **Speed Dial Name** box to open the drop-down menu.
5. Touch the **Fax Numbers** item.
6. To add a fax number for a speed dial name, touch the screen to the right of the last digit of the last fax number in the list. When the cursor appears, touch the enter key to move the cursor to the next line and then type the fax number.
7. Touch the **OK** button to return to the **Speed Dials** screen.
8. Touch the **OK** button to return to the **Fax** screen.

Delete a speed dial list

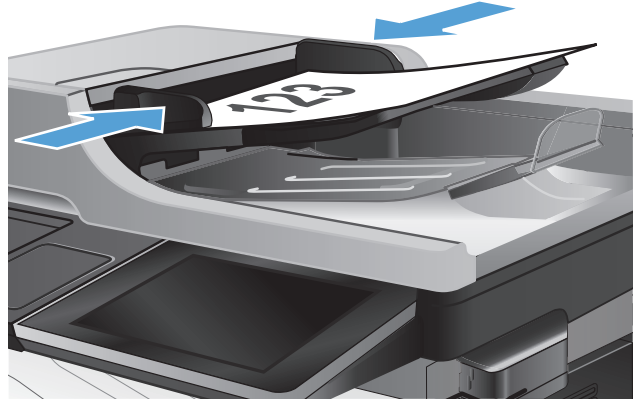
1. From the Home screen on the product control panel, scroll to and touch the **Fax** button.
2. Touch the **Speed Dials** button to display the **Speed Dials** screen.
3. Touch the **One Touch Speed Dials** number of the list to be deleted.
4. Touch the **Delete** button.
5. Touch the **Yes** button to confirm the deletion of the speed dial list and to return to the **Fax** screen.

Delete a single number from a speed dial list

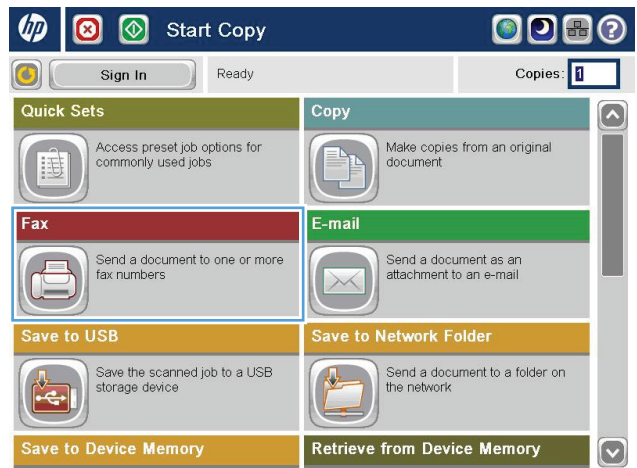
1. From the Home screen on the product control panel, scroll to and touch the **Fax** button.
2. Touch the **Speed Dials** button to display the **Speed Dials** screen.
3. Touch the **One Touch Speed Dials** number of the list to open the keyboard.
4. Touch the down arrow on the **Speed Dial Name** box to open the drop-down menu and then touch the **Fax Numbers** option.
5. Scroll through the list of fax numbers and touch the screen to the right of last digit of the fax number to be deleted. Use the backspace key to delete the fax number.
6. Touch the **OK** button to return to the **Speed Dials** screen.
7. Touch the **OK** button to return to the **Fax** screen.

Send a fax by entering numbers manually

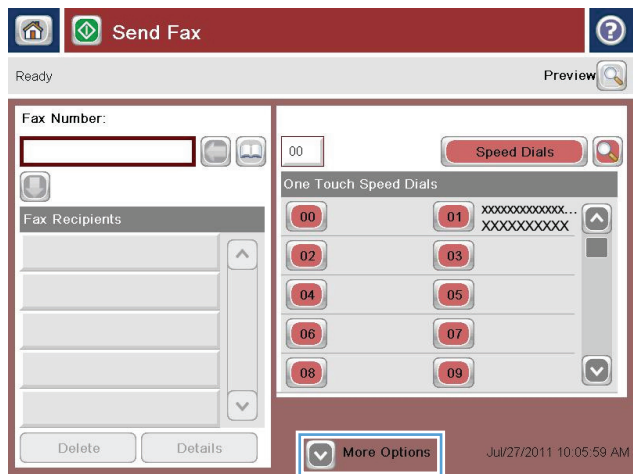
1. Place the document face-down on the scanner glass, or place it face-up in the document feeder and adjust the paper guides to fit the size of the document.



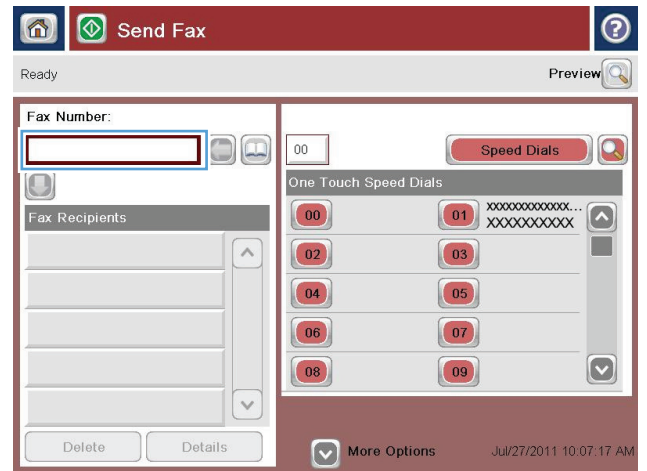
2. From the Home screen on the product control panel, touch the **Fax** button. You might be prompted to type a user name and password.



3. Touch the **More Options** button. Verify that the settings match those of your original. When all settings are completed, touch the up arrow to scroll to the main **Fax** screen.



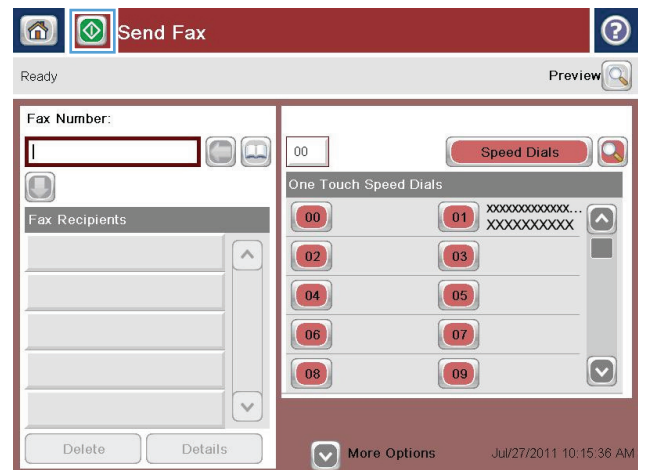
4. Touch the **Fax Number** field to open the keypad.



5. Enter a phone number and then touch the **OK** button.

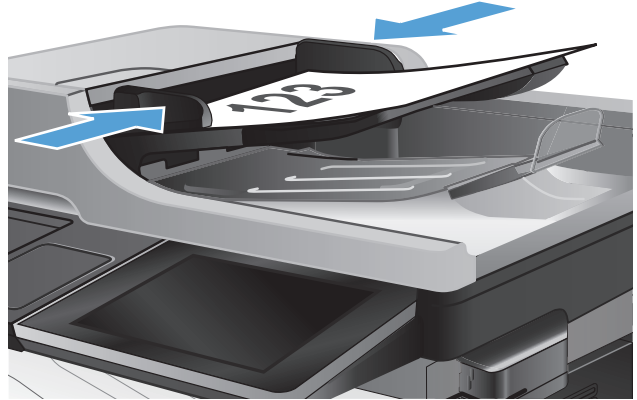


6. Touch the **Start** button to send the fax.
NOTE: You can preview the image at any time by touching the **Preview** button in the upper-right corner of the screen. For more information about this feature, touch the **Help** button on the preview screen.



Send a fax by using a speed dial

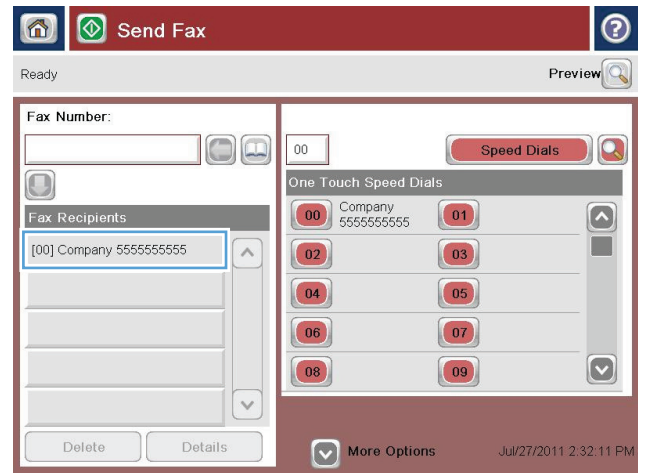
1. Place the document face-down on the scanner glass, or place it face-up in the document feeder and adjust the paper guides to fit the size of the document.



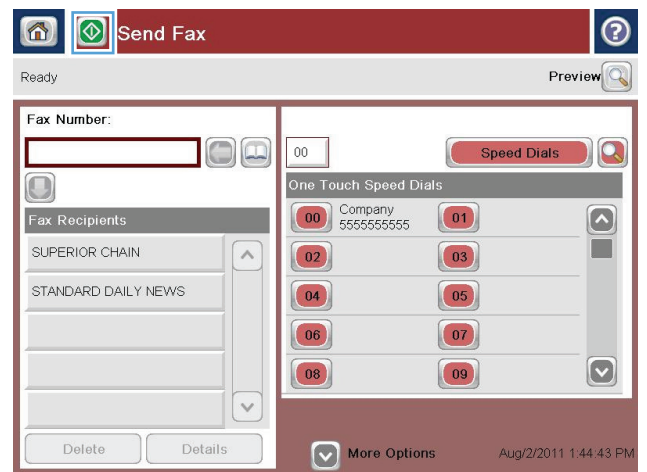
2. From the Home screen on the product control panel, touch the **Fax** button.



3. Touch the number button for the speed dial name you want to use. The speed dial name appears in the **Fax Recipients** section of the **Fax** screen.



4. Touch the Start button to send the fax.
NOTE: You can preview the image at any time by touching the **Preview** button in the upper-right corner of the screen. For more information about this feature, touch the **Help** button on the preview screen.



Search a speed-dial list by name



NOTE: If you do not know the unique name of the speed dial, type a letter to select any portion of the list. For example, to view speed-dial names that begin with the letter N, type the letter N. If no matching entries exist, a message appears before the search shows the entry that is closest to the letter N.

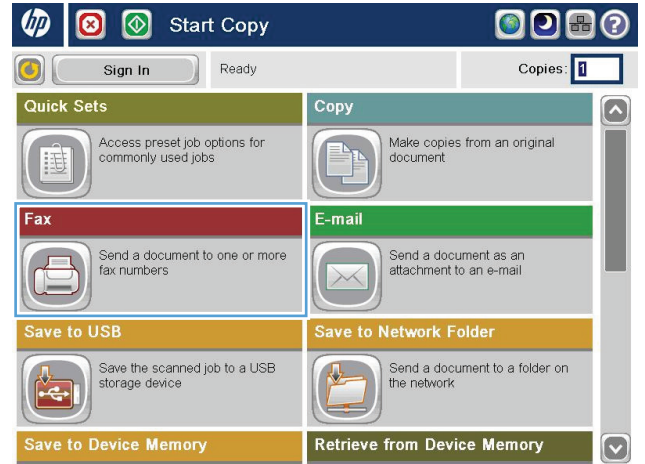
1. From the Home screen on the product control panel, touch the **Fax** button.
2. Touch the search button. This button looks like a magnifying glass and is located to the right of the **Speed Dials** button.
3. Type the first letters of the speed dial name to search for. As matches are found, the list at the top of the search screen is populated. If necessary, scroll to see all the entries, or type more letters to narrow the search.
4. Select the appropriate name from the list and touch the **OK** button. The speed-dial list on the main fax screen shows the selected entry within the list of numbers.
5. Touch a speed dial number to add it to the recipients list.
6. Select or search for additional names as needed.

Send a fax by using fax address book numbers

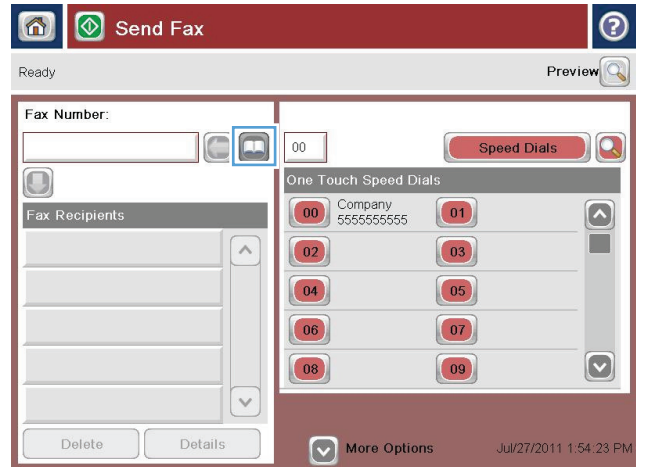
The fax address book feature allows you to store fax numbers on the product.

Your Microsoft® Exchange contact list might also be enabled on the product to appear in the fax address book.

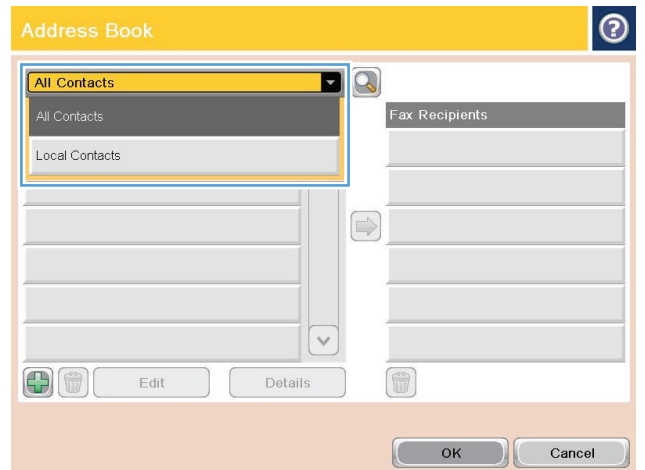
1. From the Home screen on the product control panel, touch the **Fax** button.



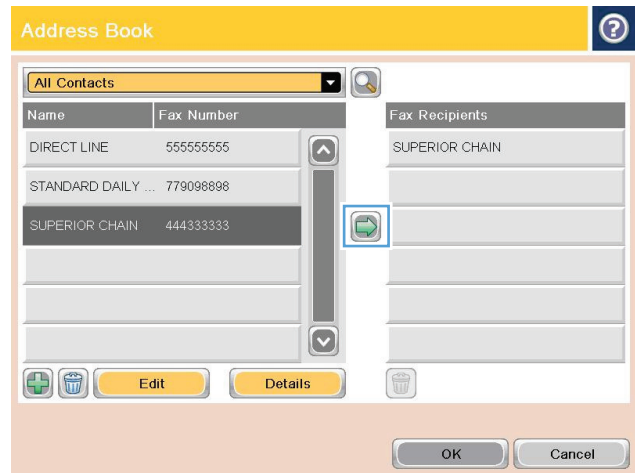
2. Touch the **Address Book** icon to display the **Address Book** screen.



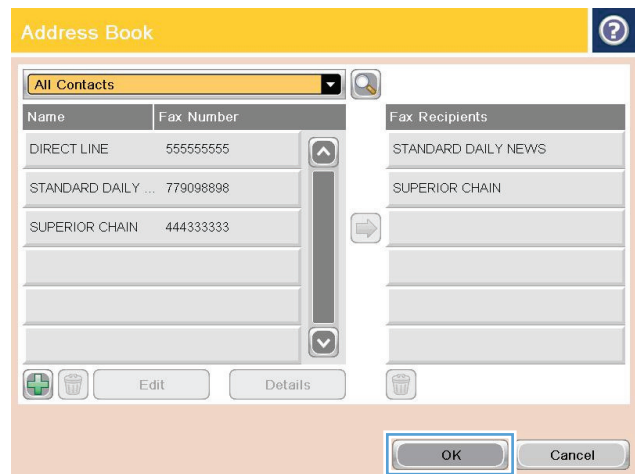
3. Select a fax address book source from the drop-down menu.



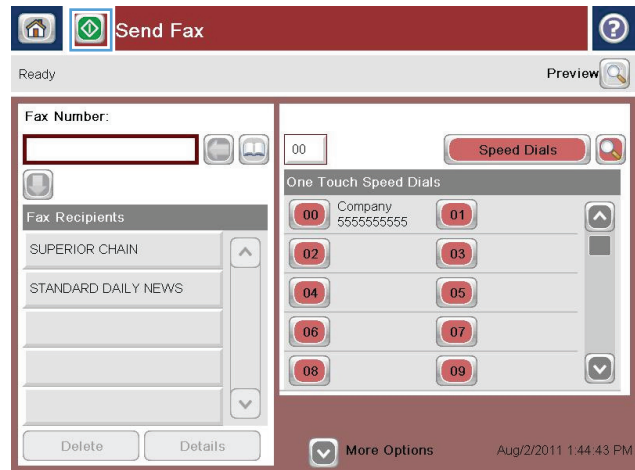
4. Touch the names to highlight and then touch the right arrow icon to move the highlighted names to the Fax Recipients section.



5. Touch the OK button to return to the Fax screen.




6. Touch the Start button to send the fax.



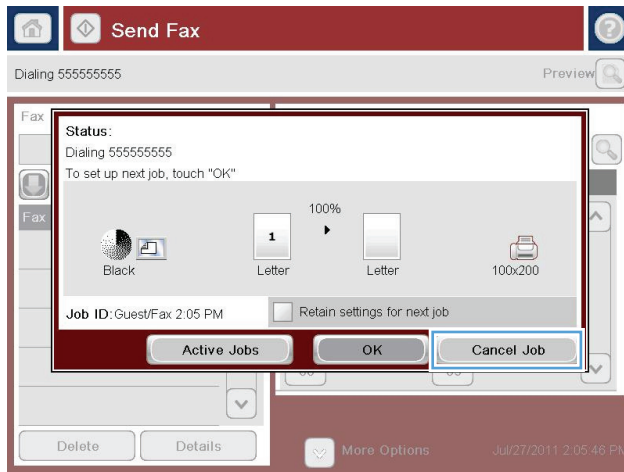
Search the fax address book

Use the fax address book search feature to complete a name search of the address book.

1. From the Home screen on the product control panel, touch the **Fax** button.
2. Touch the Address Book  button.
3. Select the **All Contacts** or **Local Contacts** option in the drop-down menu at the top of the fax address book screen.
4. Touch the Search icon (magnifying glass) next to the drop-down menu.
5. On the keyboard, enter the first letter or letters of the name; matching recipients display on the screen. Type more letters to further refine the search. Select a name, and then touch the **OK** button.
6. Touch the right arrow to transfer the selected name to the **Fax Recipients** list.
7. Touch the **OK** button to return to the **Send Fax** screen.

Cancel a fax

To cancel a current fax job, touch the **Cancel Job** button on the fax status screen.



Fax reports

The following sections list the fax reports available on this product. These reports can be printed or viewed on the product control panel.

The following fax reports are available on this product:

- Fax Activity Log
- Billing Codes Report
- Blocked Fax List
- Speed Dial List
- Fax Call Report

Use the following steps to print or view a fax report:

1. From the Home screen on the product control panel, scroll to and touch the [Administration](#) button.
2. Open the following menus:
 - [Reports](#)
 - [Fax Reports](#)
3. Select the log or report to print or view.
4. Touch the [Print](#) or [View](#) button.

Fax activity log

The fax activity log includes the following information.

- The fax header information configured on the product.
- The job number of each fax job.
- Date and time of faxes received, sent, or failed to send.
- The type of fax job; send or receive.
- Identification of the sender (phone number, if available)
- Duration (off-hook time)
- Number of pages
- Result (successfully sent, pending, or failed to send which includes error type and code)

The database stores the most recent 500 fax entries. The database fax entries include any fax session as an entry. For example, a fax session could be a sent fax, received fax, or firmware upgrades. Depending on the activity, there might be fewer than 500 entries in the report.

If you want to use the log for record keeping purposes, print the log periodically and then clear it.

To clear the fax activity log, complete the following steps.

1. On the control panel, touch the [Administration](#) icon.
2. Open the following menus:
 - [Fax Settings](#)
 - [Clear fax activity log](#)
3. Touch the [Clear](#) button to clear the fax activity log.

Billing code report

The billing code report is a list of the most recent 500 faxes that were successfully sent, listed by billing code. The following information is provided in this report.

- Billing code number
- Date and time of all faxes that were successfully sent
- Identification number
- Duration (off hook time)
- Number of pages sent
- Result (success)

The database stores the most recent 500 faxes. If you want to use the report for record-keeping purposes, print the report periodically and then clear it.

Blocked fax list report

The blocked fax list report contains the list of fax numbers that the product has been configured to not receive faxes from.

Speed dial list report

A speed dial list report lists the fax numbers assigned to speed dial names.

Fax call report

The fax call report is a brief report that indicates the status of the last fax that was sent or received.

9 Manage the product

- [Configure IP network settings](#)
- [HP Embedded Web Server](#)
- [HP Utility \(Mac OS X\)](#)
- [Use HP Web Jetadmin software](#)
- [Economy settings](#)
- [Product security features](#)
- [Upgrade the product firmware](#)

Configure IP network settings

Printer sharing disclaimer

HP does not support peer-to-peer networking, as the feature is a function of Microsoft operating systems and not of the HP print drivers. Go to Microsoft at www.microsoft.com.

View or change network settings

Use the HP Embedded Web Server to view or change IP configuration settings.

1. Print a configuration page, and locate the IP address.
 - If you are using IPv4, the IP address contains only digits. It has this format:
`xxx . xxx . xxx . xxx`
 - If you are using IPv6, the IP address is a hexadecimal combination of characters and digits. It has a format similar to this:
`xxxx : : xxxx : xxxx : xxxx : xxxx`
2. To open the HP Embedded Web Server, type the IP address into the address line of a Web browser.
3. Click the **Networking** tab to obtain network information. You can change settings as needed.

Manually configure IPv4 TCP/IP parameters from the control panel

Use the control-panel [Administration](#) menus to manually set an IPv4 address, subnet mask, and default gateway.

1. From the Home screen on the product control panel, scroll to and touch the [Administration](#) button.
2. Open the following menus:
 - [Network Settings](#)
 - [Jetdirect Menu](#)
 - [TCP/IP](#)
 - [IPV4 Settings](#)
 - [Config Method](#)
3. Select the [Manual](#) option, and then touch the [Save](#) button.
4. Open the [Manual Settings](#) menu.

5. Touch the [IP Address](#), [Subnet Mask](#), or [Default Gateway](#) option.
6. Touch the first field to open a keypad. Enter the correct digits for the field, and then touch the [OK](#) button.

Repeat the process for each field, and then touch the [Save](#) button.

Manually configure IPv6 TCP/IP parameters from the control panel

Use the control-panel [Administration](#) menus to manually set an IPv6 address.

1. From the Home screen on the product control panel, scroll to and touch the [Administration](#) button.
2. To enable manual configuration, open the following menus:
 - [Network Settings](#)
 - [Jetdirect Menu](#)
 - [TCP/IP](#)
 - [IPv6 Settings](#)
 - [Address](#)
 - [Manual Settings](#)
 - [Enable](#)

Select the [On](#) option, and then touch the [Save](#) button.

3. To configure the address, touch the [Address](#) button and then touch the field to open a keypad.
4. Use the keypad to enter the address, and then touch the [OK](#) button.
5. Touch the [Save](#) button.

HP Embedded Web Server

Use the HP Embedded Web Server to view product status, configure product network settings, and to manage printing functions from your computer instead of from the product control panel. The following are examples of what you can do using the HP Embedded Web Server:

- View product status information
- Determine the remaining life for all supplies and order new ones
- View and change tray configurations
- View and change the product control-panel menu configuration
- View and print internal pages
- Receive notification of product and supplies events
- View and change network configuration


To use the HP Embedded Web Server, your browser must meet the following requirements:

- Windows: Microsoft Internet Explorer 5.01 or later or Netscape 6.2 or later
- Mac OS X: Safari or Firefox using Bonjour or an IP address
- Linux: Netscape Navigator only
- HP-UX 10 and HP-UX 11: Netscape Navigator 4.7

The HP Embedded Web Server works when the product is connected to an IP-based network. The HP Embedded Web Server does not support IPX-based product connections. You do not have to have Internet access to open and use the HP Embedded Web Server.

When the product is connected to the network, the HP Embedded Web Server is automatically available.

Open the HP Embedded Web Server

1. Identify the product IP address or host name. If the Network  button is visible on the Home screen on the product control panel, touch that button to display the address. Otherwise, follow these steps to print or view the product configuration page:
 - a. From the Home screen on the product control panel, scroll to and touch the [Administration](#) button.
 - b. Open the following menus:
 - [Reports](#)
 - [Configuration/Status Pages](#)
 - [Configuration Page](#)

- c. Touch the [Print](#) or [View](#) button.
 - d. Find the IP address or host name on the Jetdirect page.
2. In a supported Web browser on your computer, enter the product IP address or host name in the address/URL field.

HP Embedded Web Server features

Information tab

Table 9-1 HP Embedded Web Server Information tab

Menu	Description
Device Status	Shows the product status and shows the estimated life remaining of HP supplies. The page also shows the type and size of paper set for each tray. To change the default settings, click the Change Settings link.
Job Log	Shows a summary of all jobs the product has processed.
Configuration Page	Shows the information found on the configuration page.
Supplies Status Page	Shows the status of the supplies for the product.
Event Log Page	Shows a list of all product events and errors. Use the HP Instant Support link (in the Other Links area on all HP Embedded Web Server pages) to connect to a set of dynamic Web pages that help you solve problems. These pages also show additional services available for the product.
Usage Page	Shows a summary of the number of pages the product has printed, grouped by size, type, and paper print path.
Device Information	Shows the product network name, address, and model information. To customize these entries, click the Device Information menu on the General tab.
Control Panel Snapshot	Shows an image of the current screen on the control panel display.
Print	Upload a print-ready file from your computer to print. The product uses the default print settings to print the file.
Printable Reports and Pages	Lists the internal reports and pages for the product. Select one or more items to print or view.

General tab

Table 9-2 HP Embedded Web Server General tab

Menu	Description
Control Panel Customization	Reorder, show, or hide features on the control-panel display, and change the default display language.
Quick Sets Setup	Configure jobs that are available in the Quick Sets area of the Home screen on product control panel.
Alerts	Set up email alerts for various product and supplies events.

Table 9-2 HP Embedded Web Server General tab (continued)

Menu	Description
Control Panel Administration Menu	Shows the menu structure of the Administration menu on the control panel. NOTE: You can configure settings on this screen, but the HP Embedded Web Server provides more advanced configuration options than are available through the Administration menu.
AutoSend	Configure the product to send automated emails regarding product configuration and supplies to specific email addresses.
Edit Other Links	Add or customize a link to another Web site. This link displays in the Other Links area on all HP Embedded Web Server pages.
Ordering Information	Enter information about ordering replacement toner cartridges. This information displays on the supplies status page.
Device Information	Name the product and assign an asset number to it. Enter the name of the primary contact who will receive information about the product.
Language	Set the language in which to display the HP Embedded Web Server information.
Date and Time	Set the date and time or synchronize with a network time server.
Energy Settings	Set or edit a wake time, sleep time, and sleep delay for the product. You can set a different schedule for each day of the week and for holidays. You can also set which interactions with the product cause it to wake from sleep mode.
Backup and Restore	Create a backup file that contains product and user data. If necessary, you can use this file to restore data to the product.
Restore Factory Settings	Restore product settings to the factory defaults.
Solution Installer	Install third-party software programs that can enhance the product functionality.
Firmware Upgrade	Download and install product firmware upgrade files.
Quota and Statistics Services	Provides connection information about third-party job-statistics services.

Copy/Print tab

Table 9-3 HP Embedded Web Server Copy/Print tab

Menu	Description
Retrieve from USB Setup	Enable or disable the Retrieve from USB menu on the control panel.
Manage Stored Jobs	Enable or disable the ability to store jobs in the product memory, and configure job-storage options.
Adjust Paper Types	If print quality problems occur when using a specific paper type, you can override factory-default mode settings.
Restrict Color	Permit or restrict color printing and copying. You can specify permissions for individual users or for jobs that are sent from specific software programs.
General Print Settings	Configure settings for all print jobs, including copy jobs or received faxes.

Table 9-3 HP Embedded Web Server Copy/Print tab (continued)

Menu	Description
Copy Settings	Configure the default options for copy jobs.
Manage Trays	Configure settings for paper trays.

Scan/Digital Send tab

Table 9-4 HP Embedded Web Server Scan/Digital Send tab

Menu	Description
Address Book	Add email addresses into the product one at a time, and edit email addresses that have already been saved in the product. You can also use the Import/Export tab to load a large list of frequently-used email addresses on to the product all at once, rather than adding them one at a time.
E-mail and Save to Network Folder Quick Setup Wizards	Configure the product to send scanned images as email attachments. Configure the product to save scanned images to network-folder Quick Sets. Quick Sets provide easy access to files saved on the network.
E-mail Setup	Configure the default email settings for digital sending, including the following: <ul style="list-style-type: none">• Settings for the outgoing mail (SMTP) server• Default settings for E-mail Quick Sets jobs• Default message settings, such as the "From" address and the subject line.• Settings for digital signatures and encryption• Settings for email notifications• Default scan settings for email jobs• Default file settings for email jobs
Save to Network Folder Setup	Configure the network folder settings for digital sending, including the following: <ul style="list-style-type: none">• Default settings for Quick Sets jobs saved in a network folder• Settings for notifications• Default scan settings for jobs saved in a network folder• Default file settings for for jobs saved in a network folder
Save to USB Setup	Configure the USB settings for digital sending, including the following: <ul style="list-style-type: none">• Default settings for Quick Sets jobs saved on a USB flash drive• Settings for notifications• Default scan settings for jobs saved on a USB flash drive• Default file settings for for jobs saved on a USB flash drive

Table 9-4 HP Embedded Web Server Scan/Digital Send tab (continued)

Menu	Description
OXPd: Workflow	Use third-party workflow tools.
Digital Sending Software Setup	Configure settings related to using optional Digital Sending software.

Fax tab

Table 9-5 HP Embedded Web Server Fax tab

Menu	Description
Fax Send Setup	Configure settings for sending faxes, including the following: <ul style="list-style-type: none">• Default settings for outgoing faxes• Default setting for sending faxes using the internal fax modem• Settings for using a LAN fax service• Settings for using an Internet fax service
Speed Dials	Manage fax speed dial numbers. You can also import .CSV files containing email addresses, fax numbers, or user records, so that they can be accessed on this product. You can also export email, fax, or user records from the product into a file on your computer. You can then use this file as a data backup, or you can use it to import the records onto another HP product.
Fax Receive Setup	Configure default print options for incoming faxes, and set up a fax printing schedule.
Fax Archive and Forwarding	Enable or disable fax archiving and fax forwarding, and configure basic settings for each. <ul style="list-style-type: none">• Fax archiving is a method to send a copy of all incoming and outgoing faxes to an email address.• Fax forwarding is a method to forward incoming faxes to a different fax device.
Fax Activity Log	Contains a list of the faxes that have been sent from or received by this product.

Troubleshooting tab

Table 9-6 HP Embedded Web Server Troubleshooting tab

Menu	Description
General Troubleshooting	Select from a variety of reports and tests to help solve problems with the product.
Retrieve Diagnostic Data	Export product information to a file that can be useful for detailed problem analysis.

NOTE: This item is available only if an administrator password is set from the **Security** tab.

Table 9-6 HP Embedded Web Server Troubleshooting tab (continued)

Menu	Description
Calibration/Cleaning	Enable the automatic cleaning feature, create and print the cleaning page, and select an option to calibrate the product immediately.
Firmware Upgrade	Download and install product firmware upgrade files.
Restore Factory Settings	Restore product settings to factory defaults.

Security tab

Table 9-7 HP Embedded Web Server Security tab

Menu	Description
General Security	Configure an administrator password so you can restrict access to certain features on the product. Set PJJ password for processing PJJ commands. Set file system access and firmware upgrade security. Enable or disable the Host USB port on the control panel or the USB connectivity port on the formatter for printing directly from a computer. View the status of all security settings.
Access Control	Configure access to product functions for specific individuals or groups. Also select the method by which individuals sign in to the product.
Protect Stored Data	Configure and manage the internal hard drive for the product. This product includes an encrypted hard drive for maximum security. Configure settings for jobs that are stored on the product hard drive.
Certificate Management	Install and manage security certificates for access to the product and the network.
Self Test	Verify that the security functions are running according to expected system parameters.

HP Web Services tab

Use the **HP Web Services** tab to configure and enable HP Web Services for this product. You must enable HP Web Services to use the HP ePrint feature.

Networking tab

Use the **Networking** tab to configure and secure network settings for the product when it is connected to an IP-based network. This tab does not display if the product is connected to other types of networks.

Other Links list



NOTE: You can configure which links display in the **Other Links** list by using the **Edit Other Links** menu on the **General** tab. The following are the default links.

Table 9-8 HP Embedded Web Server Other Links list

Menu	Description
Product Support	Connects to the support site for the product, from which you can search for help regarding various topics.
Shop for Supplies	Connects to the HP SureSupply Web site, where you can receive information on options for purchasing original HP supplies, such as toner cartridges and paper.
HP Instant Support	Connects you to the HP Web site to help you find solutions to product problems.

HP Utility (Mac OS X)


HP Utility is a software program that provides access to the product in Mac OS X.

You can use HP Utility when the product uses a USB cable or is connected to a TCP/IP-based network.

Open HP Utility

From the Finder, click **Applications**, click **Utilities**, and then click **HP Utility**.

If HP Utility is not included in the **Utilities** list, use the following procedure to open it:

1. At the computer, open the Apple  menu, click the **System Preferences** menu, and then click the **Print & Fax** icon (OS X v10.5 and 10.6) or the **Print & Scan** icon (OS X v10.7).
2. Select the product in the left side of the window.
3. Click the **Options & Supplies** button.
4. Click the **Utility** tab.
5. Click the **Open Printer Utility** button.

HP Utility features

HP Utility consists of pages that you open by clicking in the **All Settings** list. At the top of any page, click the icons to access HP Web sites for the following information:

- **HP Support**
- **Supplies**
- **Registration**
- **Recycling**

The following table describes the tasks that you can perform with HP Utility.

Menu	Item	Description
Information And Support	Supplies Status	Shows the product supplies status and provides links for ordering supplies online.
	Device Information	Shows information about the currently selected product.
	File Upload	Transfers files from the computer to the product.
	Upload Fonts	Transfers font files from the computer to the product.
	HP ePrintCenter	Accesses the HP ePrintCenter.
	Update Firmware	Transfers a firmware update file to the product.

NOTE: This option is available only after you open the **View** menu and select the **Show Advanced Options** item.

Menu	Item	Description
	Commands	Sends special characters or print commands to the product after the print job. NOTE: This option is available only after you open the View menu and select the Show Advanced Options item.
Printer Settings	Supplies Management	Configures how the product should behave when supplies are nearing the end of their estimated life.
	Trays Configuration	Changes the default tray settings.
	Output Devices	Manages settings for optional output accessories.
	Duplex Mode	Turns on the automatic two-sided printing mode.
	Protect Direct Ports	Disables printing over USB or parallel ports.
	Stored Jobs	Manages print jobs that are stored on the product hard disk.
	Network Settings	Configures the network settings, such as the IPv4 and IPv6 settings.
	Additional Settings	Provides access to the HP Embedded Web Server.
Scan Settings	Scan to E-mail	Opens the HP Embedded Web Server page for configuring settings for scanning to email. NOTE: USB connections are not supported.
	Scan to Network Folder	Opens the HP Embedded Web Server page for configuring settings for scanning to a network folder. NOTE: USB connections are not supported.

Use HP Web Jetadmin software

HP Web Jetadmin is an award-winning, industry-leading tool for efficiently managing a wide variety of networked HP products, including printers, multifunction products, and digital senders. This single solution allows you to remotely install, monitor, maintain, troubleshoot, and secure your printing and imaging environment — ultimately increasing business productivity by helping you save time, control costs, and protect your investment.

HP Web Jetadmin upgrades are periodically made available to provide support for specific product features. Go to www.hp.com/go/webjetadmin and click the **Self Help and Documentation** link to learn more about upgrades.

Economy settings


Optimize speed or energy use

By default the product stays warm between jobs to optimize speed and print the first page of jobs faster. You can set the product to cool between jobs, which conserves energy.

1. From the Home screen on the product control panel, scroll to and touch the [Administration](#) button.
2. Open the following menus:
 - [General Settings](#)
 - [Energy Settings](#)
 - [Optimum Speed/Energy Usage](#)
3. Select the option that you want to use, and then touch the [Save](#) button.

Set sleep mode

1. From the Home screen on the product control panel, scroll to and touch the [Administration](#) button.
2. Open each of the following menus:
 - a. [General Settings](#)
 - b. [Sleep Timer Settings](#)
 - c. [Sleep Mode/Auto off After](#)
3. Select the appropriate time period, and then touch the [Save](#) button.

 **NOTE:** The sleep-mode default time is 30 minutes.

Set the sleep schedule

 **NOTE:** You must configure the date and time settings before you can use the [Sleep Schedule](#) feature.

1. From the Home screen on the product control panel, scroll to and touch the [Administration](#) button.
2. Open the following menus:
 - [General Settings](#)
 - [Date/Time Settings](#)
3. Open the [Date/Time Format](#) menu and configure the following settings:
 - [Date Format](#)
 - [Time Format](#)
4. Touch the [Save](#) button.

5. Open the [Date/Time](#) menu and configure the following settings:

- [Date](#)
- [Time](#)
- [Time Zone](#)


If you are in an area that uses daylight savings time, select the [Adjust for Daylight Savings](#) box.

6. Touch the [Save](#) button.

7. Touch the back-arrow button to return to the [Administration](#) screen.

8. Open the following menus:

- [General Settings](#)
- [Energy Settings](#)
- [Sleep Schedule](#)

9. Touch the Add  button, and then select the type of event to schedule: [Wake](#) or [Sleep](#).

10. Configure the following settings:

- [Time](#)
- [Event Days](#)

11. Touch the [OK](#) button, and then touch the [Save](#) button.

Product security features

Security statements

The product supports security standards and recommended protocols that help you keep the product secure, protect critical information on your network, and simplify the way you monitor and maintain the product.

For in-depth information about HP's secure imaging and printing solutions, visit www.hp.com/go/secureprinting. The site provides links to white papers and FAQ documents about security features.

IP Security

IP Security (IPsec) is a set of protocols that control IP-based network traffic to and from the product. IPsec provides host-to-host authentication, data integrity, and encryption of network communications.

For products that are connected to the network and have an HP Jetdirect print server, you can configure IPsec by using the **Networking** tab in the HP Embedded Web Server.

Sign in to the product

Some features on the product control panel can be secured so that unauthorized people cannot use them. When a feature is secured, the product prompts you to sign in before you can use it. You can also sign in without waiting for a prompt by touching the **Sign In** button on the Home screen.

Typically, you use the same user name and password that you use to sign in to your computer on the network. Consult the network administrator for this product if you have questions about which credentials to use.


After you have signed in to the product, a **Sign Out** button displays on the control panel. To maintain security for the product, touch the **Sign Out** button when you have finished using the product.

Assign a system password

Assign an administrator password for access to the product and the HP Embedded Web Server so that unauthorized users cannot change the product settings.

1. Open the HP Embedded Web Server by entering the product IP address into the address line of a Web browser.
2. Click the **Security** tab.
3. Open the **General Security** menu.
4. In the **Username** field, enter the name to associate with the password.

5. Enter the password in the **New Password** field, and then enter it again in the **Verify password** field.

 **NOTE:** If you are changing an existing password, you must first enter the existing password in the **Old Password** field.

6. Click the **Apply** button. Make note of the password and store it in a safe place.

Encryption support: HP High-Performance Secure Hard Disks

The hard disk provides hardware-based encryption so you can securely store sensitive data without impacting product performance. This hard disk uses the latest Advanced Encryption Standard (AES) and has versatile time-saving features and robust functionality.

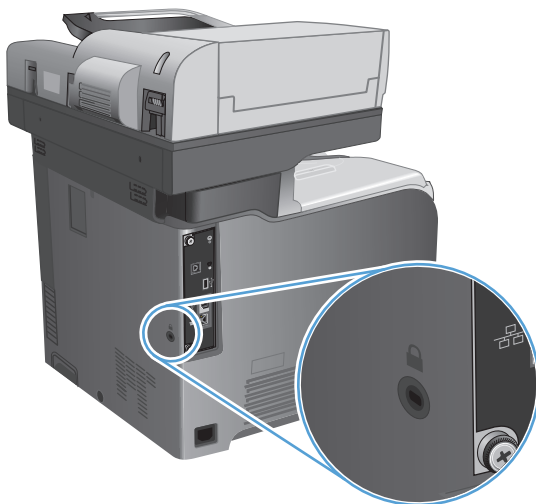
Use the **Security** menu in the HP Embedded Web Server to configure the disk.

For more information about the encrypted hard disk, see the *HP High-Performance Secure Hard Disk Setup Guide*.

1. Go to www.hp.com/support.
2. Enter **Secure Hard Disk** into the search field and press **Enter**.
3. Click the **HP High-Performance Secure Hard Disk Drive** link.
4. Click the **Manuals** link.

Lock the formatter cage

The formatter cage, on the back of the product, has a slot that you can use to attach a security cable. Locking the formatter cage prevents someone from removing valuable components from the formatter.



Upgrade the product firmware

Software and firmware upgrades and installation instructions for this product are available at www.hp.com/support/lj500colorMFPM575. Click **Support & Drivers**, click the operating system, and then select the download for the product.

10 Solve problems

- [Solve problems checklist](#)
- [Factors that affect product performance](#)
- [Restore factory-set defaults](#)
- [Control-panel help](#)
- [Paper feeds incorrectly or becomes jammed](#)
- [Clear jams](#)
- [Change jam recovery](#)
- [Improve print quality](#)
- [Improve copy quality](#)
- [Improve scan quality](#)
- [Improve fax quality](#)
- [The product does not print or it prints slowly](#)
- [Solve easy-access USB printing problems](#)
- [Solve USB connection problems](#)
- [Solve wired network problems](#)
- [Solve fax problems](#)
- [Solve product software problems \(Windows\)](#)
- [Solve product software problems \(Mac OS X\)](#)
- [Remove software \(Windows\)](#)
- [Remove the print driver \(Mac OS X\)](#)

Solve problems checklist

Follow these steps when trying to solve a problem with the product.

1. If the control panel is blank or black, complete these steps:
 - a. Check the power cable.
 - b. Check that the power is turned on.
 - c. Make sure that the line voltage is correct for the product power configuration. (See the label that is on the back of the product for voltage requirements.) If you are using a power strip and its voltage is not within specifications, connect the product directly into the electrical outlet. If it is already connected into the outlet, try a different outlet.
 - d. If none of these measures restores power, contact HP Customer Care.
2. The control panel should indicate a **Ready** status. If an error message displays, resolve the error.
3. Check the cabling.
 - a. Check the cable connection between the product and the computer or network port. Make sure that the connection is secure.
 - b. Make sure that the cable itself is not faulty by using a different cable, if possible.
 - c. Check the network connection.
4. Ensure that the selected paper size and type meet specifications. Also open the **Trays** menu on the product control panel and verify that the tray is configured correctly for the paper type and size.
5. Print a configuration page. If the product is connected to a network, an HP Jetdirect page also prints.
 - a. From the Home screen on the product control panel, scroll to and touch the **Administration** button.
 - b. Open the following menus:
 - **Reports**
 - **Configuration/Status Pages**
 - **Configuration Page**
 - c. Touch the **Print** button to print the page.

If the pages do not print, check that at least one tray contains paper.

If the page jams in the product, follow the instructions on the control panel to clear the jam.

If the page does not print correctly, the problem is with the product hardware. Contact HP Customer Care.

If the page prints correctly, then the product hardware is working. The problem is with the computer you are using, with the print driver, or with the program.

- 6.** Verify that you have installed the print driver for this product. Check the program to make sure that you are using the print driver for this product. The print driver is on the CD that came with the product. You can also download the print driver from this Web site: www.hp.com/go/lj500colorMFPM575_software.
- 7.** Print a short document from a different program that has worked in the past. If this solution works, then the problem is with the program. If this solution does not work (the document does not print), complete these steps:
 - a.** Try printing the job from another computer that has the product software installed.
 - b.** If you connected the product to the network, connect the product directly to a computer with a USB cable. Redirect the product to the correct port, or reinstall the software, selecting the new connection type that you are using.

Factors that affect product performance


Several factors affect the time it takes to print a job:

- Maximum product speed, measured in pages per minute (ppm)
- The use of special paper (such as transparencies, heavy paper, and custom-size paper)
- Product processing and download time
- The complexity and size of graphics
- The speed of the computer you are using
- The USB connection
- The product I/O configuration
- The network operating system and configuration (if applicable)
- The print driver that you are using

Restore factory-set defaults



1. From the Home screen on the product control panel, scroll to and touch the [Administration](#) button.
2. Open the following menus:
 - [General Settings](#)
 - [Restore Factory Settings](#)
3. Select one or more categories of settings from the list, and then touch the [Reset](#) button.

Control-panel help

The product has a built-in Help system that explains how to use each screen. To open the Help system, touch the Help  button in the upper-right corner of the screen.

For some screens, the Help opens to a global menu where you can search for specific topics. You can browse through the menu structure by touching the buttons in the menu.

For screens that contain settings for individual jobs, the Help opens to a topic that explains the options for that screen.

If the product alerts you of an error or warning, touch the Error  button or the Warning  button to open a message that describes the problem. The message also contains instructions to help solve the problem.

You can print a report of the complete [Administration](#) menu so you can more easily navigate to the individual settings you need.

1. From the Home screen on the product control panel, scroll to and touch the [Administration](#) button.
2. Open the following menus:
 - [Reports](#)
 - [Configuration/Status Pages](#)
3. Select the [Administration Menu Map](#) option.
4. Touch the [Print](#) button to print the report.

Paper feeds incorrectly or becomes jammed

- [The product does not pick up paper](#)
- [The product picks up multiple sheets of paper](#)
- [The document feeder jams, skews, or picks up multiple sheets of paper](#)
- [Prevent paper jams](#)

The product does not pick up paper

If the product does not pick up paper from the tray, try these solutions.

1. Open the product and remove any jammed sheets of paper.
2. Load the tray with the correct size of paper for your job.
3. Make sure the paper size and type are set correctly on the product control panel.
4. Make sure the paper guides in the tray are adjusted correctly for the size of paper. Adjust the guides to the appropriate indentation in the tray.
5. Check the product control panel to see if the product is waiting for you to acknowledge a prompt to feed the paper manually. Load paper, and continue.
6. The rollers above the tray might be contaminated. Clean the rollers with a lint-free cloth dampened with warm water.

The product picks up multiple sheets of paper

If the product picks up multiple sheets of paper from the tray, try these solutions.

1. Remove the stack of paper from the tray and flex it, rotate it 180 degrees, and flip it over. *Do not fan the paper.* Return the stack of paper to the tray.
2. Use only paper that meets HP specifications for this product.
3. Use paper that is not wrinkled, folded, or damaged. If necessary, use paper from a different package.
4. Make sure the tray is not overfilled. If it is, remove the entire stack of paper from the tray, straighten the stack, and then return some of the paper to the tray.
5. Make sure the paper guides in the tray are adjusted correctly for the size of paper. Adjust the guides to the appropriate indentation in the tray.
6. Make sure the printing environment is within recommended specifications.

The document feeder jams, skews, or picks up multiple sheets of paper

- The original might have something on it, such as staples or self-adhesive notes, that must be removed.
- Check that all rollers are in place and that the roller-access cover inside the document feeder is closed.
- Make sure that the top document-feeder cover is closed.
- The pages might not be placed correctly. Straighten the pages and adjust the paper guides to center the stack.
- The paper guides must be touching the sides of the paper stack to work correctly. Make sure that the paper stack is straight and the guides are against the paper stack.
- The document feeder input tray or output bin might contain more than the maximum number of pages. Make sure the paper stack fits below the guides in the input tray, and remove pages from the output bin.
- Verify that there are no pieces of paper, staples, paper clips, or other debris in the paper path.
- Clean the document-feeder rollers and the separation pad. Use compressed air or a clean, lint-free cloth moistened with warm water. If misfeeds still occur, replace the rollers.
- From the Home screen on the product control panel, scroll to and touch the [Supplies](#) button. Check the status of the document-feeder kit, and replace it if necessary.

Prevent paper jams

To reduce the number of paper jams, try these solutions.

1. Use only paper that meets HP specifications for this product.
2. Use paper that is not wrinkled, folded, or damaged. If necessary, use paper from a different package.
3. Use paper that has not previously been printed or copied on.
4. Make sure the tray is not overfilled. If it is, remove the entire stack of paper from the tray, straighten the stack, and then return some of the paper to the tray.
5. Make sure the paper guides in the tray are adjusted correctly for the size of paper. Adjust the guides so they are touching the paper stack without bending it.
6. Make sure that the tray is fully inserted in the product.
7. If you are printing on heavy, embossed, or perforated paper, use the manual feed feature and feed sheets one at a time.
8. From the Home screen on the product control panel, scroll to and touch the [Trays](#) button. Verify that the tray is configured correctly for the paper type and size.
9. Make sure the printing environment is within recommended specifications.


Clear jams

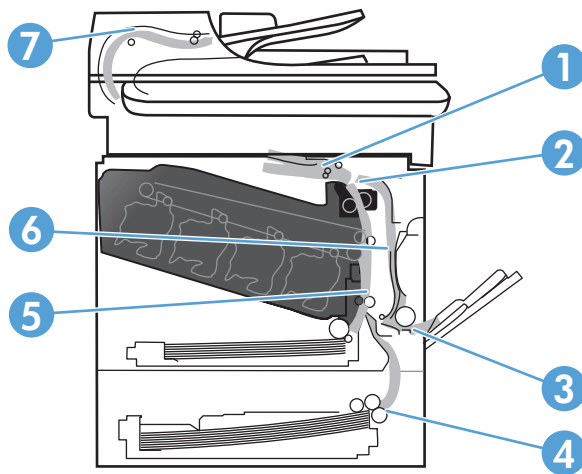
Auto-navigation for clearing jams

The auto-navigation feature assists you in clearing jams by providing step-by-step instructions on the control panel. When you complete a step, the product displays instructions for the next step until you have completed all steps in the procedure.

Jam locations

Use this illustration to identify locations of jams. In addition, instructions display on the control panel to direct you to the location of jammed paper and how to clear it.

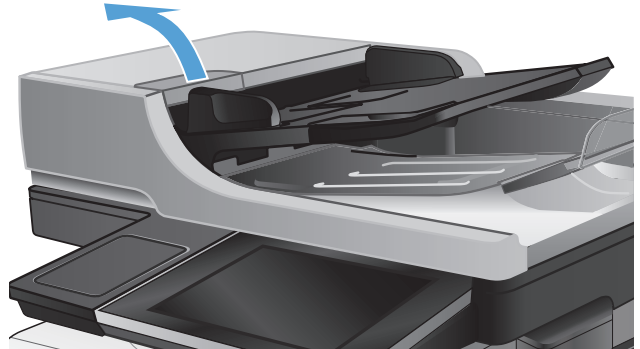
 **NOTE:** Internal areas of the product that might need to be opened to clear jams have green handles or green labels.



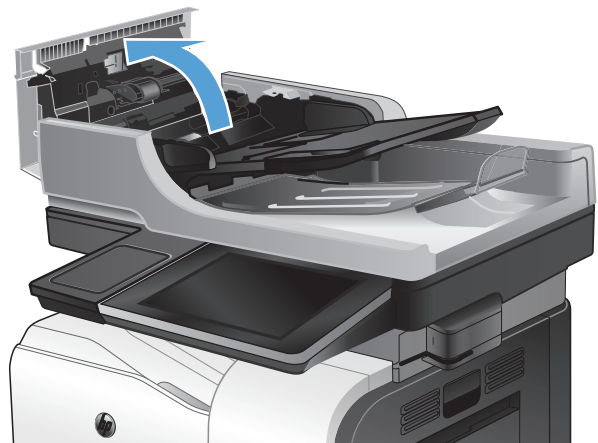
1	Output-bin area
2	Duplexing area
3	Tray 1 area
4	Optional Tray 3
5	Tray 2 pickup area
6	Fuser area
7	Document-feeder area

Clear jams in the document feeder

1. Lift the latch to release the document-feeder cover.

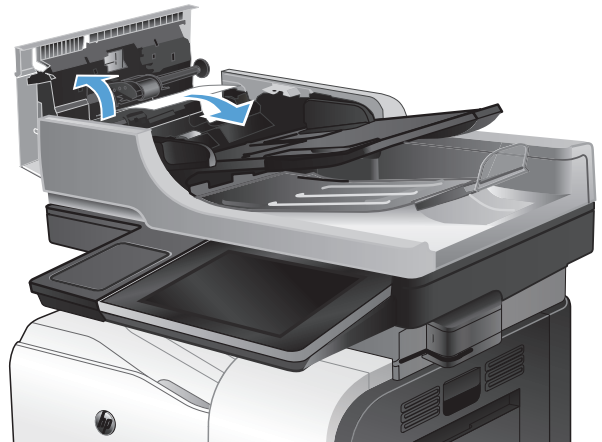


2. Open the document-feeder cover.

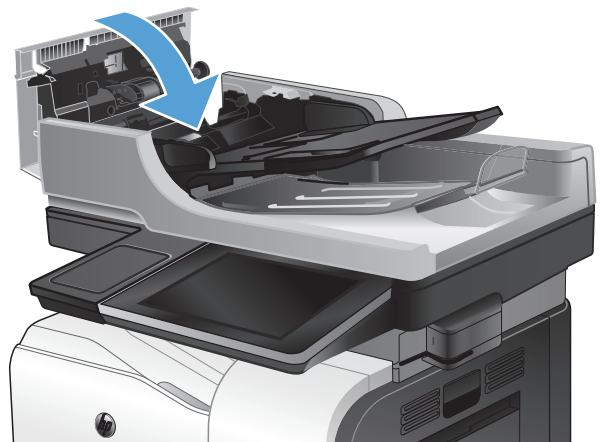


3. Lift the jam-access door, and remove any jammed paper.

If necessary, rotate the green wheel at the front of the document feeder to remove jammed paper.



4. Close the document-feeder cover.



Clear jams in the output bin area

1. If paper is visible from the output bin, grasp the leading edge and remove it.

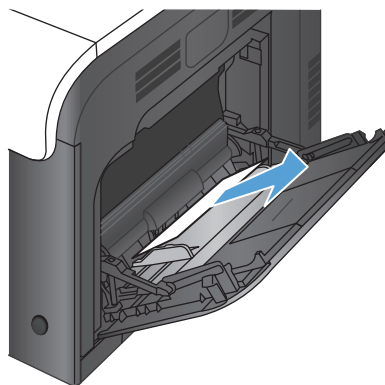


2. If jammed paper is visible in the duplex output area, gently pull it to remove it.

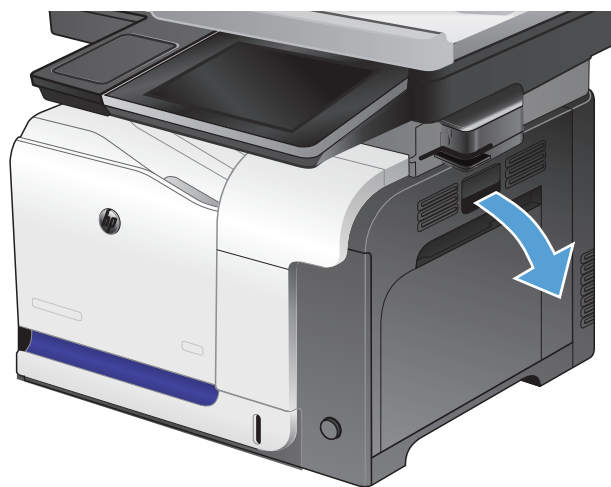


Clear jams in Tray 1

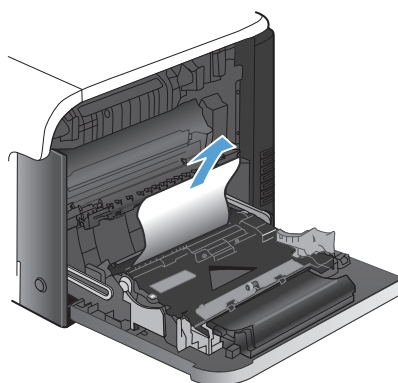
1. If jammed paper is visible in Tray 1, clear the jam by gently pulling the paper straight out.



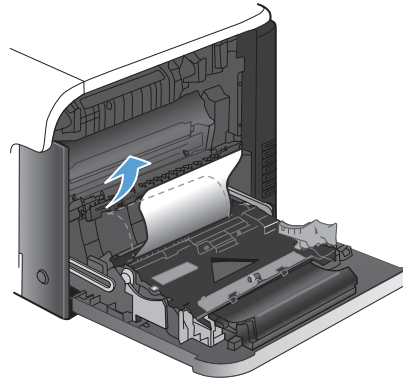
2. If you cannot remove the paper, or if no jammed paper is visible in Tray 1, close Tray 1 and open the right door.



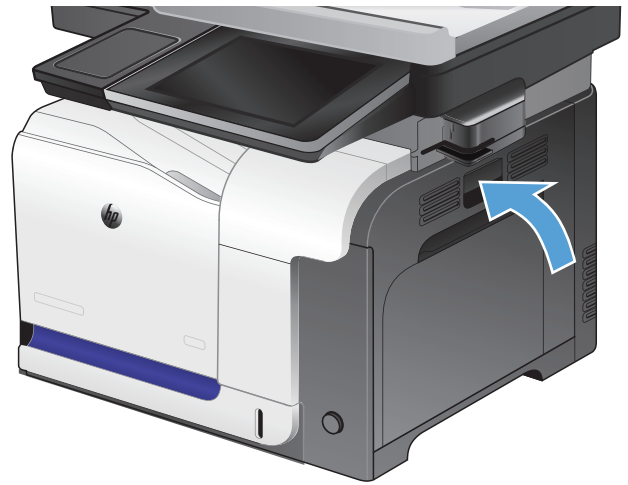
3. If paper is visible inside the right door, gently pull the trailing edge to remove it.



4. Gently pull the paper out of the pick up area.

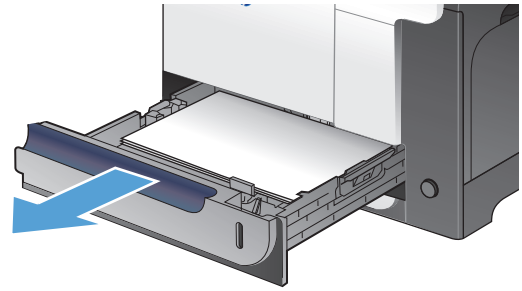


5. Close the right door.

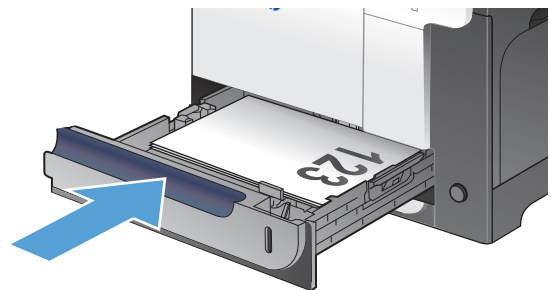


Clear jams in Tray 2

1. Open Tray 2 and make sure that the paper is stacked correctly. Remove any jammed or damaged sheets of paper.



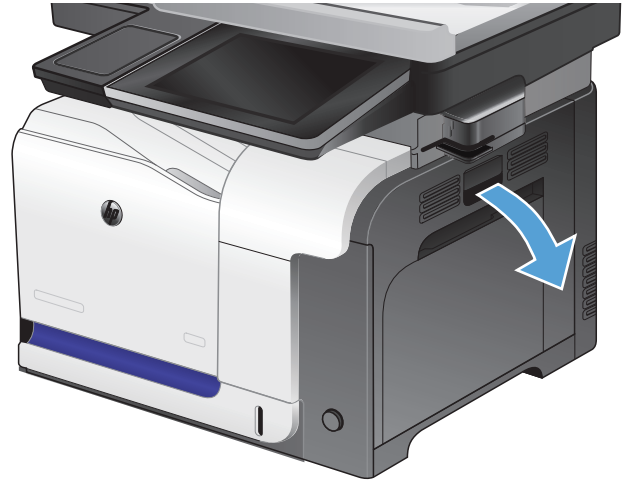
2. Close the tray.



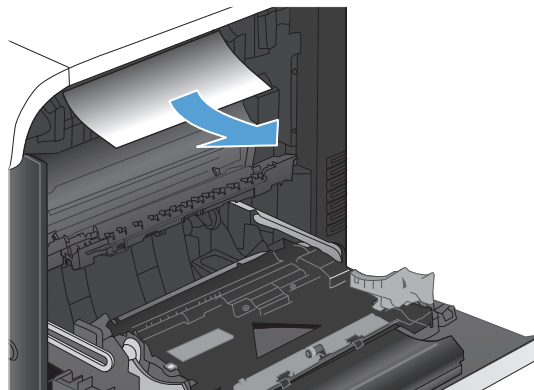
Clear jams in the right door

⚠ CAUTION: The fuser can be hot while the product is in use. Wait for the fuser to cool before clearing jams.

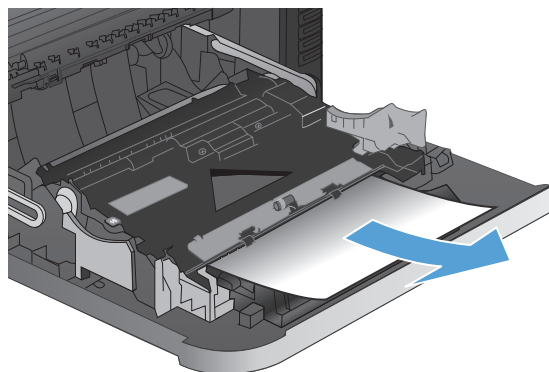
1. Open the right door.



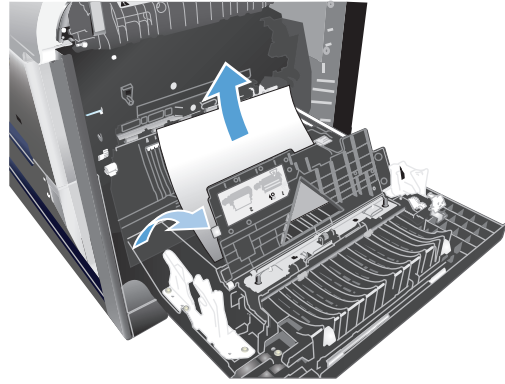
2. If paper is jammed as it enters the output bin, gently pull the paper downward to remove it.



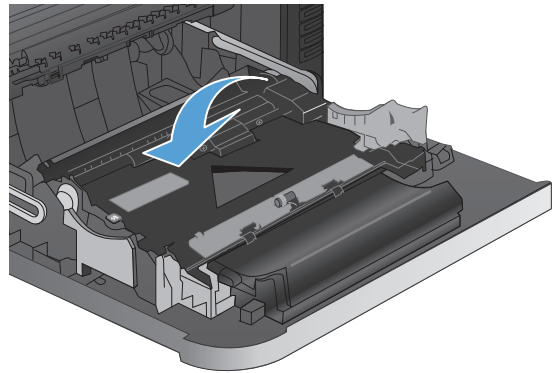
3. If paper is jammed inside the right door, gently pull the paper to remove it.



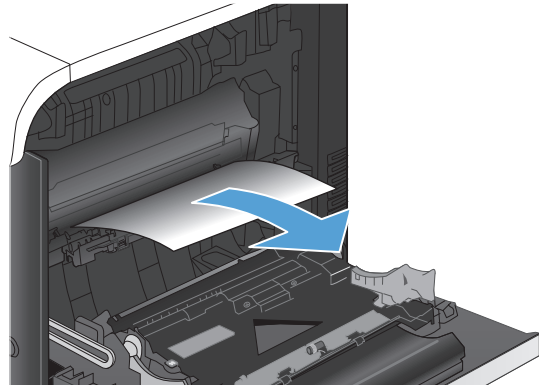
4. Lift the paper-feed cover on the inside of the right door. If jammed paper is present, gently pull the paper straight out to remove it.



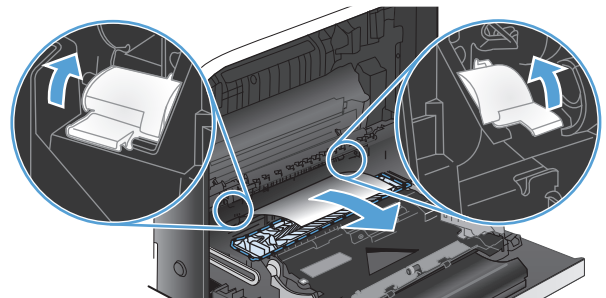
5. Close the paper-feed cover.



6. Gently pull the paper out of the pickup area.

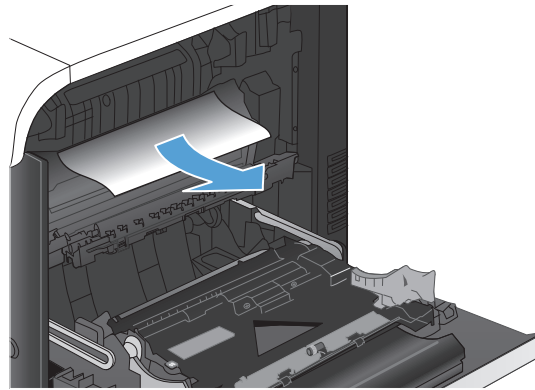


7. Look for paper in the Tray 2 roller area. Push up on the two green tabs to release the jam-access door. Remove any jammed paper, and close the door.



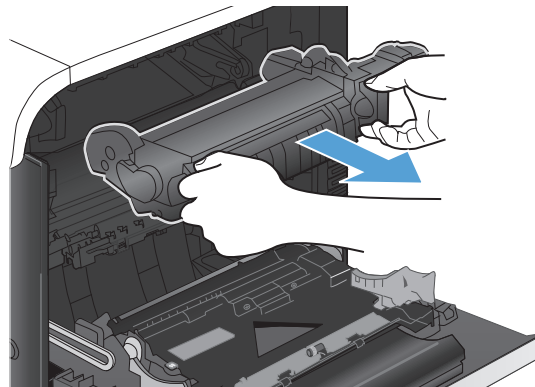
8. If paper is visible entering the bottom of the fuser, gently pull downward to remove it.

CAUTION: Do not touch the rollers on the transfer roller. Contaminants can affect print quality.



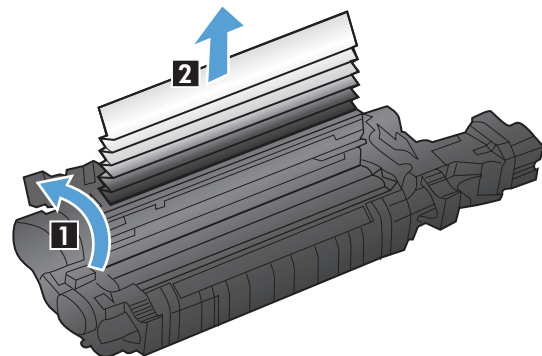
9. Paper could be jammed inside the fuser where it would not be visible. Grasp the fuser handles, lift up slightly, and pull straight out to remove the fuser.

CAUTION: The fuser can be hot while the product is in use.

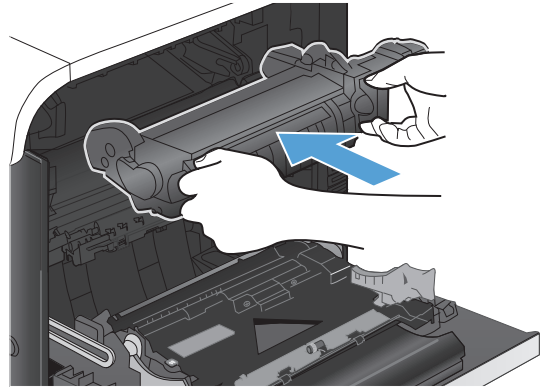


10. Open the jam-access door (callout 1). If paper is jammed inside the fuser, gently pull it straight up to remove it (callout 2). If the paper tears, remove all paper fragments.

CAUTION: Even if the body of the fuser has cooled, the rollers that are inside could still be hot. Do not touch the fuser rollers until they have cooled.



11. Close the jam-access door, and push the fuser completely into the product.

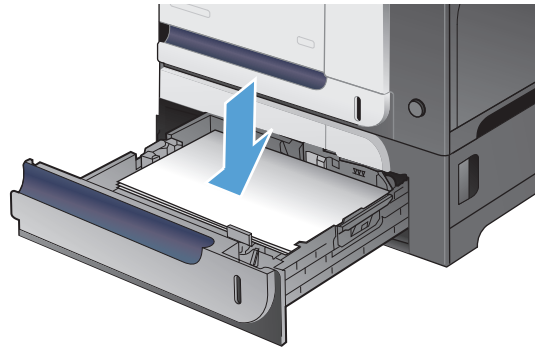


12. Close the right door.

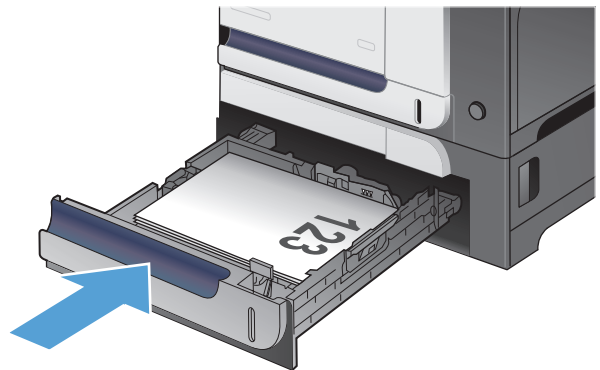


Clear jams in optional Tray 3

1. Open Tray 3 and make sure that the paper is stacked correctly. Remove any damaged or jammed sheets of paper.

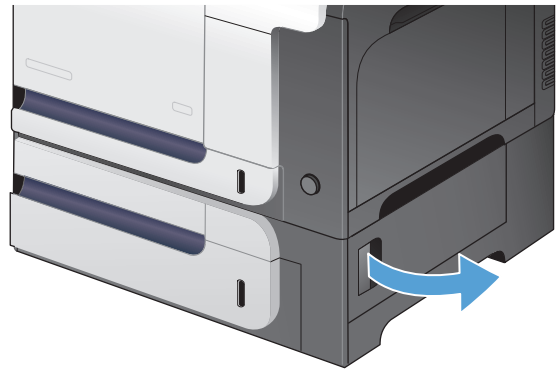


2. Close Tray 3.

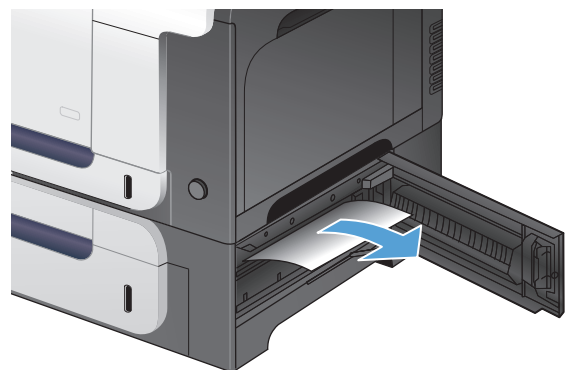


Clear jams in the lower right door (Tray 3)

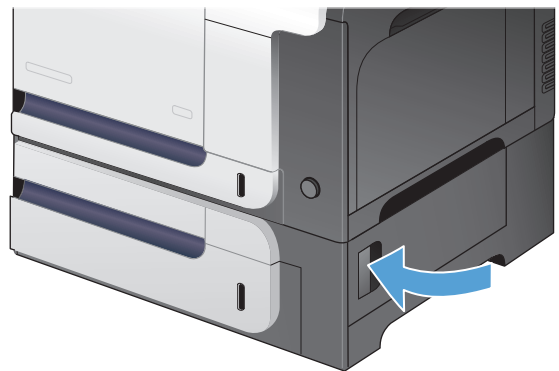
1. Open the lower right door.



2. If paper is visible, gently pull the jammed paper up or down to remove it.




3. Close the lower right door.



Change jam recovery

This product provides a jam recovery feature that reprints jammed pages.

1. From the Home screen on the product control panel, scroll to and touch the [Administration](#) button.
 2. Open the [General Settings](#) menu, and then open the [Jam Recovery](#) menu.
 3. Select one of the following options:
 - [Auto](#) — The product attempts to reprint jammed pages when sufficient memory is available. This is the default setting.
 - [Off](#) — The product does not attempt to reprint jammed pages. Because no memory is used to store the most recent pages, performance is optimal.
-
-  **NOTE:** Some pages can be lost if the product runs out of paper while printing a duplex job with Jam Recovery set to [Off](#).
-
- [On](#) — The product always reprints jammed pages. Additional memory is allocated to store the last few pages printed.

Improve print quality

Print from a different software program

Try printing from a different software program. If the page prints correctly, the problem is with the software program from which you were printing.

Set the paper-type setting for the print job

Check the paper type setting If you are printing from a software program and the pages have any of these problems:

- smeared print
- fuzzy print
- dark print
- curled paper
- scattered dots of toner
- loose toner
- small areas of missing toner

Check the paper type setting (Windows)

1. From the software program, select the **Print** option.
2. Select the product, and then click the **Properties** or **Preferences** button.
3. Click the **Paper/Quality** tab.
4. From the **Paper type** drop-down list, click the **More...** option.
5. Expand the list of **Type is:** options.
6. Expand the category of paper types that best describes your paper.
7. Select the option for the type of paper you are using, and click the **OK** button.
8. Click the **OK** button to close the **Document Properties** dialog box. In the **Print** dialog box, click the **OK** button to print the job.

Check the paper type setting (Mac OS X)

1. Click the **File** menu, and then click the **Print** option.
2. In the **Printer** menu, select the product.
3. By default, the print driver displays the **Copies & Pages** menu. Open the menus drop-down list, and then click the **Finishing** menu.

4. Select a type from the **Media Type** drop-down list.
5. Click the **Print** button.

Check the toner-cartridge status

Follow these steps to check the estimated life remaining in the toner cartridges and if applicable, the status of other replaceable maintenance parts.

1. From the Home screen on the product control panel, scroll to and touch the **Administration** button.
2. Open the following menus:
 - **Reports**
 - **Configuration/Status Pages**
3. Select the **Supplies Status** option, and then touch the **Print** button to print the report.
4. Check the percent of life remaining for the toner cartridges and if applicable, the status of other replaceable maintenance parts.

Print quality problems can occur when using a toner cartridge that is at its estimated end of life. The supplies status page indicates when a supply level is very low. After an HP supply has reached the very low threshold, HP's premium protection warranty on that supply has ended.

The supply does not need to be replaced now unless the print quality is no longer acceptable. Consider having a replacement available to install when print quality is no longer acceptable.

If you determine that you need to replace a toner cartridge or other replaceable maintenance parts, the supplies status page lists the genuine HP part numbers.


5. Check to see if you are using a genuine HP cartridge.

A genuine HP toner cartridge has the words "HP" or "Hewlett-Packard" on it, or has the HP logo on it. For more information on identifying HP cartridges go to www.hp.com/go/learnaboutsupplies.

Hewlett Packard cannot recommend the use of non-HP supplies, either new or remanufactured. Because they are not HP products, HP cannot influence their design or control their quality. If you are using a refilled or remanufactured toner cartridge and are not satisfied with the print quality, replace the toner cartridge with a genuine HP toner cartridge.

Calibrate the product to align the colors

Calibration is a product function that optimizes print quality. If you experience any image-quality problems, calibrate the product.

1. From the Home screen on the product control panel, scroll to and touch the [Device Maintenance](#) button.
2. Open the following menus:
 - [Calibration/Cleaning](#)
 - [Full Calibration](#)
3. Touch the Start  button to start the calibration process.
4. Wait while the product calibrates, and then try printing again.

Print a cleaning page

Print a cleaning page to remove dust and excess toner from the fuser if you are having any of the following problems:

- Specks of toner are on the printed pages.
- Toner is smearing on the printed pages.
- Repeated marks occur on the printed pages.

Use the following procedure to print a cleaning page.

1. From the Home screen on the product control panel, scroll to and touch the [Device Maintenance](#) button.
2. Open the following menus:
 - [Calibration/Cleaning](#)
 - [Cleaning Page](#)
3. Touch the [Print](#) button to print the page.
4. The cleaning process can take several minutes. When it is finished, discard the printed page.


Internal print-quality-test pages

Use the print-quality-troubleshooting pages to help diagnose and solve color print-quality problems.

1. From the Home screen on the product control panel, scroll to and touch the **Administration** button.
2. Open the following menus:
 - **Troubleshooting**
 - **Print Quality Pages**
 - **PQ Troubleshooting Pages**
3. Touch the **Print** button. The product prints several print-quality troubleshooting pages.
4. To use the pages to solve the problem, follow the instructions on the print-quality troubleshooting Web site at www.hp.com/go/printquality/lj500colorMFPM575.

Visually inspect the toner cartridge

1. Remove the toner cartridge from the product, and verify that the sealing tape has been removed.
2. Check the memory chip for damage.
3. Examine the surface of the green imaging drum on the toner cartridge.

 **CAUTION:** Do not touch the imaging drum. Fingerprints on the imaging drum can cause print-quality problems.

4. If you see any scratches, fingerprints, or other damage on the imaging drum, replace the toner cartridge.
5. If the imaging drum does not appear to be damaged, rock the toner cartridge gently several times and reinstall it. Print a few pages to see if the problem has resolved.

Check paper and the printing environment

Use paper that meets HP specifications

Use different paper if you are having any of the following problems:

- The printing is too light or seems faded in areas.
- Specks of toner are on the printed pages.
- Toner is smearing on the printed pages.
- Printed characters seem misformed.
- Printed pages are curled.

Always use a paper type and weight that this product supports. In addition, follow these guidelines when selecting paper:

- Use paper that is of good quality and free of cuts, nicks, tears, spots, loose particles, dust, wrinkles, voids, staples, and curled or bent edges.
- Use paper that has not been previously printed on.
- Use paper that is designed for use in laser printers. Do not use paper that is designed only for use in Inkjet printers.
- Use paper that is not too rough. Using smoother paper generally results in better print quality.

Check the environment

Environmental conditions can directly affect print quality, and they are a common cause for paper-feeding problems. Try the following solutions:

- Move the product away from drafty locations, such as air-conditioning vents, or open windows or doors.
- Make sure the product is not exposed to temperatures or humidity outside of product specifications.
- Do not place the product in a confined space, such as a cabinet.
- Place the product on a sturdy, level surface.
- Remove anything that is blocking the vents on the product. The product requires good air flow on all sides, including the top.
- Protect the product from airborne debris, dust, steam, grease, or other elements that can leave residue inside the product.

Adjust color settings (Windows)


Change the color theme

1. From the software program, select the **Print** option.
2. Select the product, and then click the **Properties** or **Preferences** button.
3. Click the **Color** tab.
4. Select the **HP EasyColor** check box to clear it.
5. Select a color theme from the **Color Themes** drop-down list.
 - **Default (sRGB)**: This theme sets the product to print RGB data in raw device mode. When using this theme, manage color in the software program or in the operating system for correct rendering.
 - **Vivid (sRGB)**: The product increases the color saturation in the midtones. Use this theme when printing business graphics.

- **Photo (sRGB):** The product interprets RGB color as if it were printed as a photograph using a digital mini lab. The product renders deeper, more saturated colors differently than with the Default (sRGB) theme. Use this theme when printing photos.
 - **Photo (Adobe RGB 1998):** Use this theme with printing digital photos that use the AdobeRGB color space rather than sRGB. Turn off color management in the software program when using this theme.
 - **None:** No color theme is used.
 - **Custom Profile:** Select this option to use a custom input profile to accurately control color output (for example, to emulate a specific HP Color LaserJet product). Download custom profiles from www.hp.com.
6. Click the **OK** button to close the **Document Properties** dialog box. In the **Print** dialog box, click the **OK** button to print the job.

Change the color options

1. From the software program, select the **Print** option.
2. Select the product, and then click the **Properties** or **Preferences** button.
3. Click the **Color** tab.
4. Select the **HP EasyColor** check box to clear it.
5. Click the **Automatic** or **Manual** setting.
 - **Automatic** setting: Select this setting for most color print jobs
 - **Manual** setting: Select this setting to adjust the color settings independently from other settings. Click the **Settings** button to open the manual color-adjustment window.

 **NOTE:** Changing color settings manually can impact output. HP recommends that only color graphics experts change these settings.

6. Click the **Print in Grayscale** option to print a color document in black and shades of gray. Use this option to print color documents for photocopying or faxing. Also use this option to print draft copies or to save color toner.
7. Click the **OK** button to close the **Document Properties** dialog box. In the **Print** dialog box, click the **OK** button to print the job.

Try a different print driver

Try using a different print driver if you are printing from a software program and the printed pages have unexpected lines in graphics, missing text, missing graphics, incorrect formatting, or substituted fonts. The following print drivers are available at www.hp.com/go/lj500colorMFPM575_software.

HP PCL 6 driver

- Provided as the default driver on the product CD. This driver is automatically installed unless you select a different one.
- Recommended for all Windows environments
- Provides the overall best speed, print quality, and product-feature support for most users
- Developed to align with the Windows Graphic Device Interface (GDI) for the best speed in Windows environments
- Might not be fully compatible with third-party and custom software programs that are based on PCL 5

HP UPD PS driver

- Recommended for printing with Adobe® software programs or with other highly graphics-intensive software programs
- Provides support for printing from postscript emulation needs, or for postscript flash font support

HP UPD PCL 5

- Recommended for general office printing in Windows environments
- Compatible with previous PCL versions and older HP LaserJet products
- The best choice for printing from third-party or custom software programs
- The best choice when operating with mixed environments, which require the product to be set to PCL 5 (UNIX, Linux, mainframe)
- Designed for use in corporate Windows environments to provide a single driver for use with multiple product models
- Preferred when printing to multiple product models from a mobile Windows computer

HP UPD PCL 6

- Recommended for printing in all Windows environments
 - Provides the overall best speed, print quality, and printer feature support for most users
 - Developed to align with Windows Graphic Device Interface (GDI) for best speed in Windows environments
 - Might not be fully compatible with third-party and custom software programs that are based on PCL 5
-

Set the individual tray alignment

Adjust the alignment for individual trays when text or images are not centered or aligned correctly on the printed page.

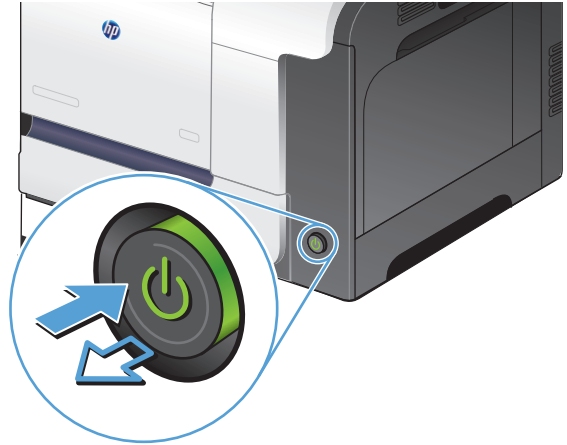
1. From the Home screen on the product control panel, scroll to and touch the [Administration](#) button.
2. Open the following menus:
 - [General Settings](#)
 - [Print Quality](#)
 - [Image Registration](#)
3. Select the tray that you want to adjust.
4. Touch the arrow buttons on the screen to adjust the image in each direction for each side of the page.
5. Touch the [Print Test Page](#) button to verify the results, and then make further adjustments if necessary.
6. When you are satisfied with the results, touch the [Save](#) button to save the new settings.

Improve copy quality

Check the scanner glass for dirt or smudges

Over time, specks of debris might collect on the scanner glass and white plastic backing which can affect performance. Use the following procedure to clean the scanner glass and white plastic backing.

1. Press the power button to turn off the product, and then disconnect the power cable from the electrical outlet.



2. Open the scanner lid. Align paper that has copy defects with the scanner glass to identify the locations of dirt or smudges.

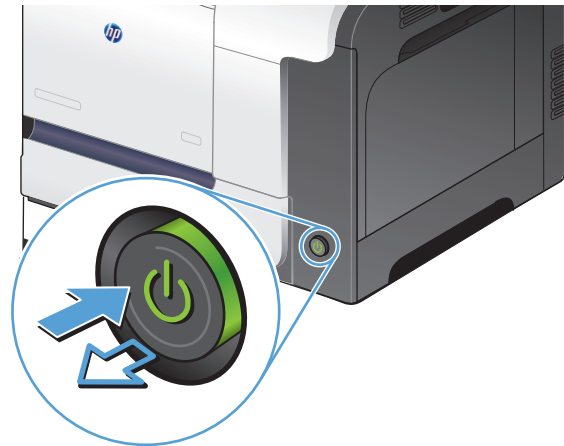


3. Clean the main scanner glass, the document-feeder glass (the small strip of glass on the left side of the scanner), and the white foam backing. Use a soft cloth or sponge that has been moistened with nonabrasive glass cleaner. Dry the glass and white plastic backing by using a chamois or a cellulose sponge to prevent spotting.

CAUTION: Do not use abrasives, acetone, benzene, ammonia, ethyl alcohol, or carbon tetrachloride on any part of the product; these can damage the product. Do not place liquids directly on the glass or platen. They might seep and damage the product.


NOTE: If you are having trouble with streaks on copies when you are using the document feeder, be sure to clean the small strip of glass on the left side of the scanner.

4. Connect the power cable to an outlet, and then press the power button to turn on the product.



Calibrate the scanner

If the copied image is not positioned correctly on the page, calibrate the scanner.

 **NOTE:** When using the document feeder, make sure to adjust the guides in the input tray so they are against the original document.

1. From the Home screen on the product control panel, scroll to and touch the [Device Maintenance](#) button.
2. Open the following menus:
 - [Calibration/Cleaning](#)
 - [Calibrate Scanner](#)

3. Touch the [Next](#) button to start the calibration process.
4. Wait while the product calibrates, and then try copying again.

Check the paper settings

Check the paper settings if copied pages have smears, fuzzy or dark print, curled paper, scattered dots of toner, loose toner, or areas where toner has dropped out.

Check the paper size and type configuration


1. From the Home screen on the product control panel, scroll to and touch the [Trays](#) button.
2. Touch the line for the tray that you want to configure, and then touch the [Modify](#) button.
3. Select the paper size and paper type from the lists of options.
4. Touch the [OK](#) button to save your selection.

Select the tray to use for the copy

1. From the Home screen on the product control panel, touch the [Copy](#) button.
2. Touch the [Paper Selection](#) button.
3. Select the tray that holds the paper that you want to use, and then touch the [OK](#) button.


Check the image-adjustment settings

Adjust these additional settings to improve copy quality.

1. From the Home screen on the product control panel, touch the [Copy](#) button.
2. Touch the [Image Adjustment](#) button.
3. Adjust the sliders to set the [Darkness](#) level, the [Contrast](#) level, the [Sharpness](#) level, and the [Background Cleanup](#) level. Touch the [OK](#) button.
4. Touch the Start  button.

Optimize copy quality for text or pictures

Optimize the copy job for the type of image being copied: text, graphics, or photos.

1. From the Home screen on the product control panel, touch the [Copy](#) button.
2. Touch the [More Options](#) button, and then touch the [Optimize Text/Picture](#) button.
3. Select one of the predefined options, or touch the [Manually adjust](#) button and then adjust the slider in the [Optimize For](#) area. Touch the [OK](#) button.
4. Touch the Start  button.



NOTE: These settings are temporary. After you have finished the job, the product returns to the default settings.

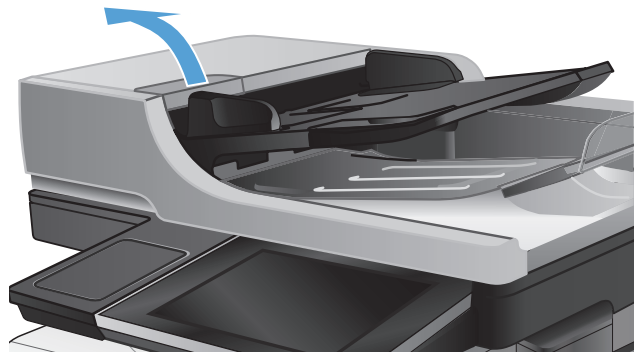
Edge-to-edge copying

Use this feature to avoid shadows that can appear along the edges of copies when the original document is printed close to the edges.

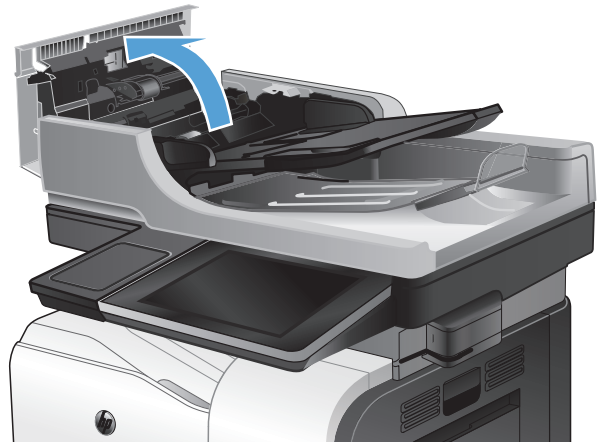
1. From the Home screen on the product control panel, scroll to and touch the [Administration](#) button.
2. Open the following menus:
 - [Copy Settings](#)
 - [Edge-To-Edge](#)
3. Select the [Edge-To-Edge output](#) option if the original document is printed close to the paper edges.
4. Touch the [OK](#) button.

Clean the pickup rollers and separation pad in the document feeder

1. Lift the document-feeder latch.

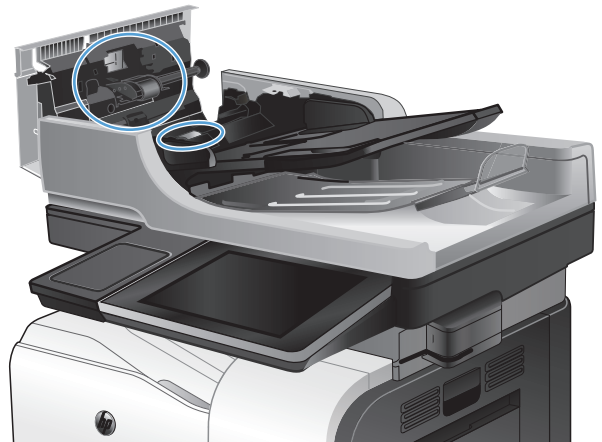


2. Open the document-feeder cover.

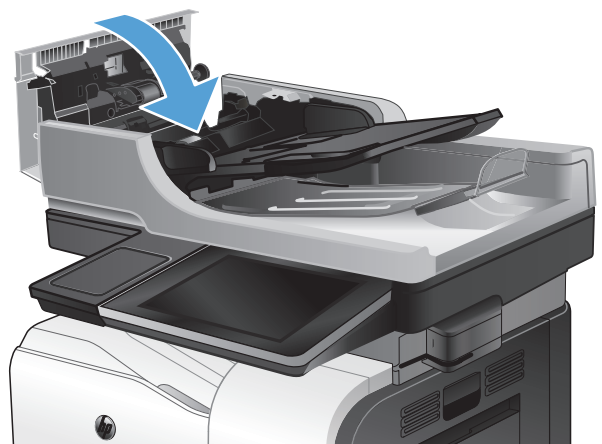


3. Remove any visible lint or dust from each of the feed rollers and the separation pad using compressed air or a clean lint-free cloth moistened with warm water.

NOTE: Lift up the roller assembly so you can clean the second roller.



4. Close the document-feeder cover.

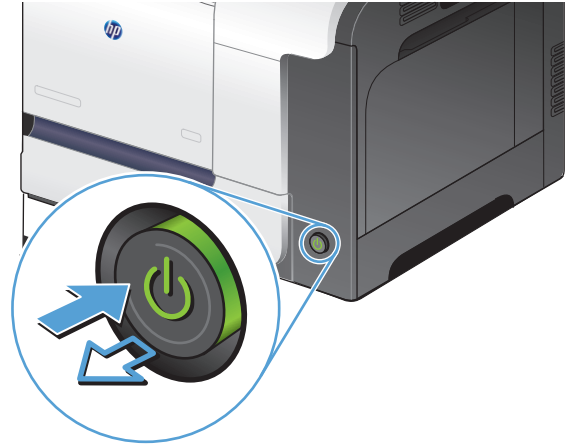


Improve scan quality

Check the scanner glass for dirt or smudges

Over time, specks of debris might collect on the scanner glass and white plastic backing which can affect performance. Use the following procedure to clean the scanner glass and white plastic backing.

1. Press the power button to turn off the product, and then disconnect the power cable from the electrical outlet.



2. Open the scanner lid. Align paper that has copy defects with the scanner glass to identify the locations of dirt or smudges.

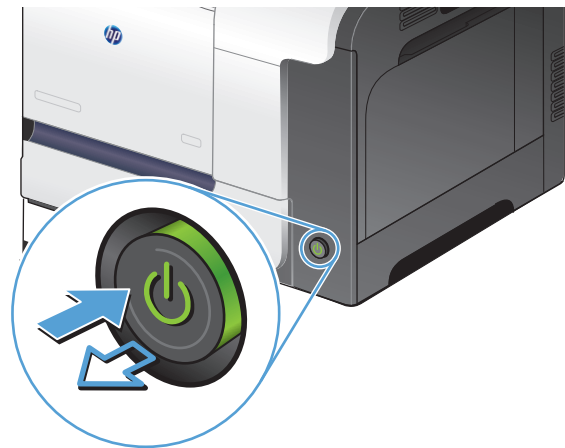
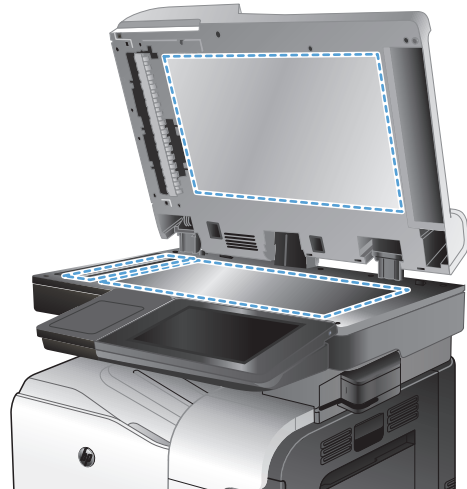


3. Clean the main scanner glass, the document-feeder glass (the small strip of glass on the left side of the scanner), and the white foam backing. Use a soft cloth or sponge that has been moistened with nonabrasive glass cleaner. Dry the glass and white plastic backing by using a chamois or a cellulose sponge to prevent spotting.


CAUTION: Do not use abrasives, acetone, benzene, ammonia, ethyl alcohol, or carbon tetrachloride on any part of the product; these can damage the product. Do not place liquids directly on the glass or platen. They might seep and damage the product.


NOTE: If you are having trouble with streaks on copies when you are using the document feeder, be sure to clean the small strip of glass on the left side of the scanner.

4. Connect the power cable to an outlet, and then press the power button to turn on the product.




Check the resolution settings

 **NOTE:** Setting the resolution to a high value increases the file size and the scan time.


1. From the Home screen on the product control panel, scroll to and touch the **Administration** button.
2. Open the **Scan/Digital Send Settings** menu.
3. Select the category of scan and send settings that you want to configure.
4. Open the **Default Job Options** menu.
5. Touch the **Resolution** button.
6. Select one of the predefined options. Touch the **OK** button.
7. Touch the **Start**  button.

Check the color settings

1. From the Home screen on the product control panel, scroll to and touch the [Administration](#) button.
2. Open the [Scan/Digital Send Settings](#) menu.
3. Select the category of scan and send settings that you want to configure.
4. Open the [Default Job Options](#) menu.
5. Touch the [Color/Black](#) button.
6. Select one of the predefined options. Touch the [OK](#) button.
7. Touch the Start  button.


Check the image-adjustment settings

Adjust these additional settings to improve scan quality.

1. From the Home screen on the product control panel, scroll to and touch the [Administration](#) button.
2. Open the [Scan/Digital Send Settings](#) menu.
3. Select the category of scan and send settings that you want to configure.
4. Open the [Default Job Options](#) menu.
5. Touch the [Image Adjustment](#) button.
6. Adjust the sliders to set the [Darkness](#) level, the [Contrast](#) level, the [Sharpness](#) level, and the [Background Cleanup](#) level. Touch the [OK](#) button.
7. Touch the Start  button.

Optimize scan quality for text or pictures

Optimize the scan job for the type of image being scanned: text, graphics, or photos.


1. From the Home screen on the product control panel, touch one of the buttons for the scan/send features:
 - [Save to Network Folder](#)
 - [Save to Device Memory](#)
 - [Save to USB](#)
2. Touch the [More Options](#) button, and then touch the [Optimize Text/Picture](#) button.
3. Select one of the predefined options, or touch the [Manually adjust](#) button and then adjust the slider in the [Optimize For](#) area. Touch the [OK](#) button.
4. Touch the Start  button.



NOTE: These settings are temporary. After you have finished the job, the product returns to the default settings.

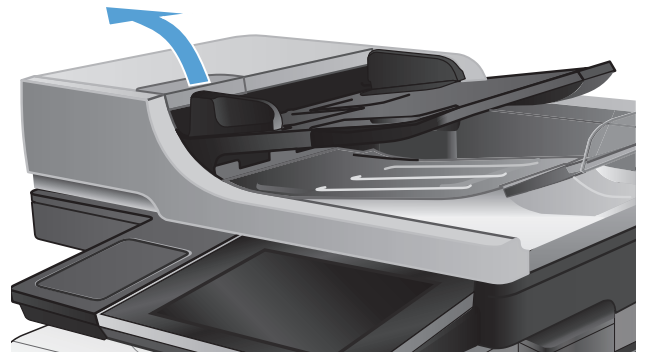
Check the output-quality settings

This setting adjusts the level of compression when saving the file. For the highest quality, select the highest setting.

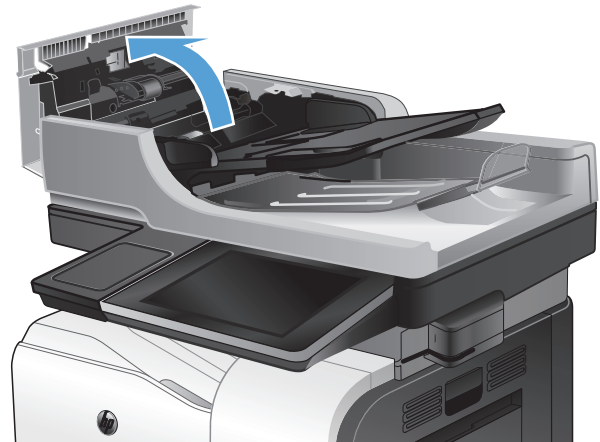
1. From the Home screen on the product control panel, scroll to and touch the [Administration](#) button.
2. Open the [Scan/Digital Send Settings](#) menu.
3. Select the category of scan and send settings that you want to configure.
4. Open the [Default Job Options](#) menu.
5. Touch the [Output Quality](#) button.
6. Select one of the predefined options. Touch the [OK](#) button.
7. Touch the Start  button.

Clean the pickup rollers and separation pad in the document feeder

1. Lift the document-feeder latch.

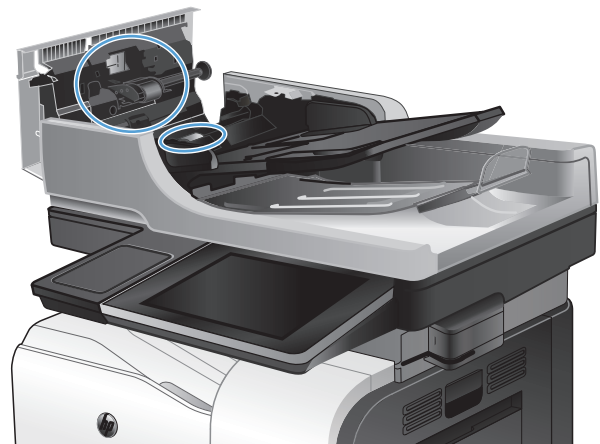


2. Open the document-feeder cover.

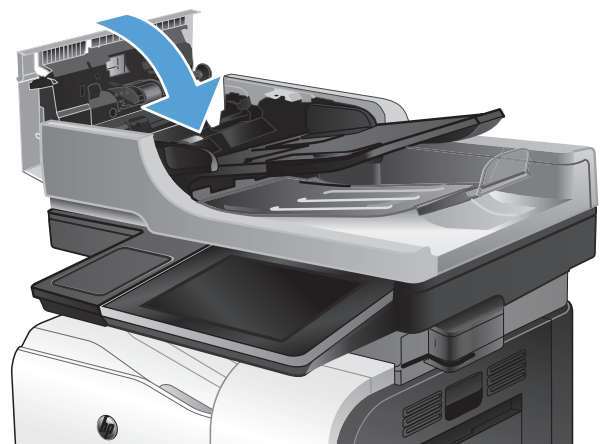


3. Remove any visible lint or dust from each of the feed rollers and the separation pad using compressed air or a clean lint-free cloth moistened with warm water.

NOTE: Lift up the roller assembly so you can clean the second roller.



4. Close the document-feeder cover.

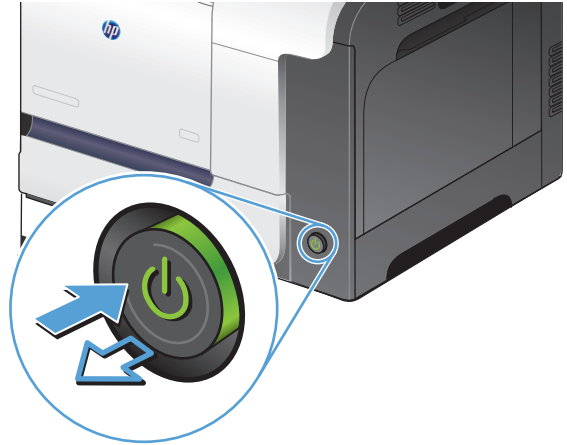


Improve fax quality

Check the scanner glass for dirt or smudges

Over time, specks of debris might collect on the scanner glass and white plastic backing which can affect performance. Use the following procedure to clean the scanner glass and white plastic backing.

1. Press the power button to turn off the product, and then disconnect the power cable from the electrical outlet.



2. Open the scanner lid. Align paper that has copy defects with the scanner glass to identify the locations of dirt or smudges.

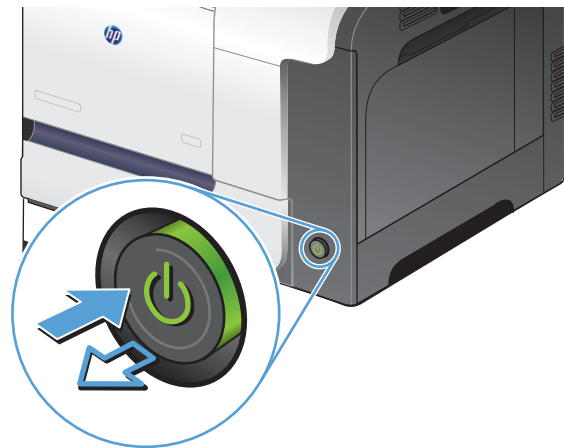
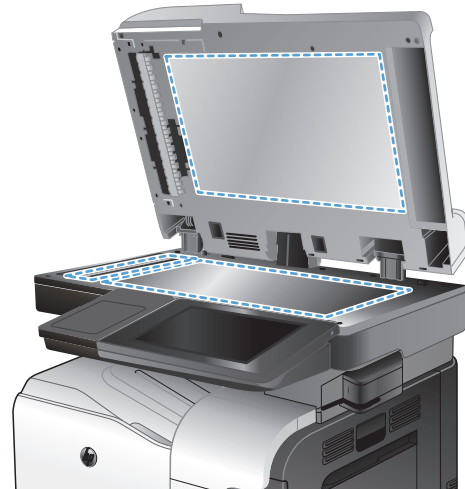


3. Clean the main scanner glass, the document-feeder glass (the small strip of glass on the left side of the scanner), and the white foam backing. Use a soft cloth or sponge that has been moistened with nonabrasive glass cleaner. Dry the glass and white plastic backing by using a chamois or a cellulose sponge to prevent spotting.


CAUTION: Do not use abrasives, acetone, benzene, ammonia, ethyl alcohol, or carbon tetrachloride on any part of the product; these can damage the product. Do not place liquids directly on the glass or platen. They might seep and damage the product.

NOTE: If you are having trouble with streaks on copies when you are using the document feeder, be sure to clean the small strip of glass on the left side of the scanner.


4. Connect the power cable to an outlet, and then press the power button to turn on the product.



Check the send-fax resolution settings


 **NOTE:** Increasing the resolution increases the fax size and send time.

1. From the Home screen on the product control panel, scroll to and touch the [Administration](#) button.
2. Open the following menus:
 - [Fax Settings](#)
 - [Fax Send Settings](#)
 - [Default Job Options](#)
3. Touch the [Resolution](#) button.

4. Select one of the predefined options. Touch the **OK** button.
5. Touch the Start  button.


Check the image-adjustment settings


Adjust these additional settings to improve send-fax quality

1. From the Home screen on the product control panel, scroll to and touch the **Administration** button.
2. Open the following menus:
 - **Fax Settings**
 - **Fax Send Settings**
 - **Default Job Options**
3. Touch the **Image Adjustment** button.
4. Adjust the sliders to set the **Darkness** level, the **Contrast** level, the **Sharpness** level, and the **Background Cleanup** level. Touch the **OK** button.
5. Touch the Start  button.

Optimize fax quality for text or pictures

Optimize the fax job for the type of image being scanned: text, graphics, or photos.

1. From the Home screen on the product control panel, touch the **Copy** button.
2. Touch the **More Options** button, and then touch the **Optimize Text/Picture** button.
3. Select one of the predefined options, or touch the **Manually adjust** button and then adjust the slider in the **Optimize For** area. Touch the **OK** button.
4. Touch the Start  button.

 **NOTE:** These settings are temporary. After you have finished the job, the product returns to the default settings.

Check the error-correction settings

The **Error Correction Mode** setting might be disabled, which can reduce image quality. Follow these steps to enable it.

1. From the Home screen on the product control panel, scroll to and touch the **Administration** button.
2. Open the following menus:
 - **Fax Settings**
 - **Fax Send Settings**

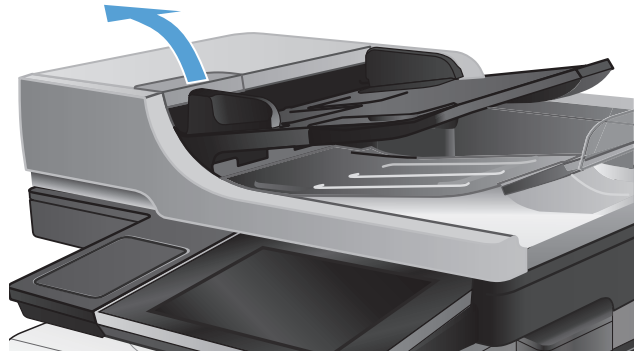
- [Fax Send Setup](#)
 - [General Fax Send Settings](#)
3. Select the [Error Correction Mode](#) option. Touch the [Save](#) button.

Send to a different fax machine

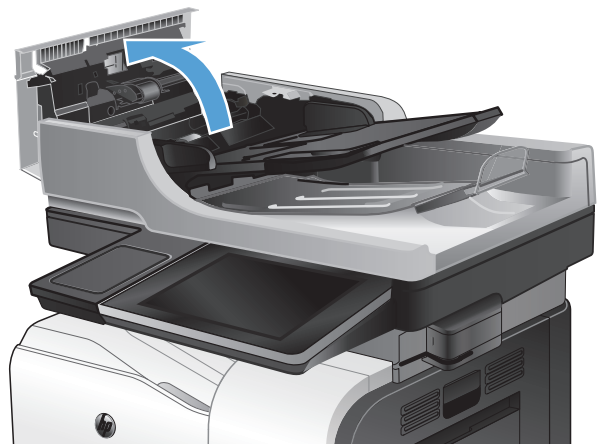
Try sending the fax to a different fax machine. If the fax quality is better, the problem is related to the initial recipient's fax machine settings or supplies status.

Clean the pickup rollers and separation pad in the document feeder

1. Lift the document-feeder latch.

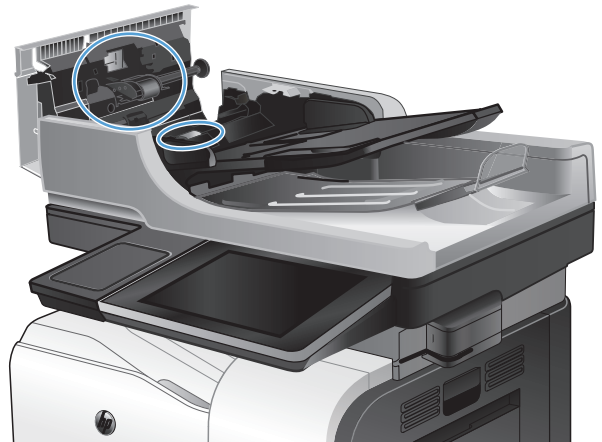


2. Open the document-feeder cover.

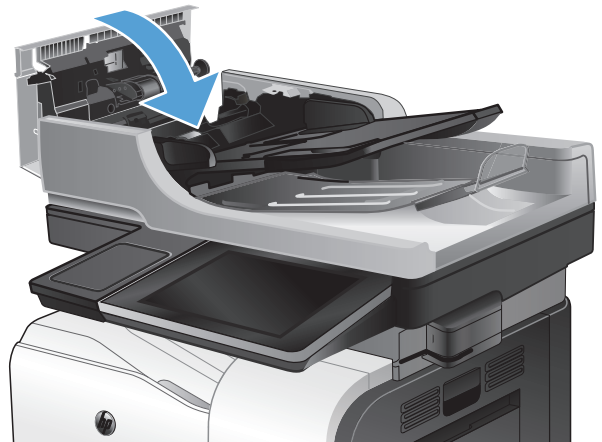


3. Remove any visible lint or dust from each of the feed rollers and the separation pad using compressed air or a clean lint-free cloth moistened with warm water.

NOTE: Lift up the roller assembly so you can clean the second roller.



4. Close the document-feeder cover.



Check the fit-to-page setting

If the [Fit to Page](#) setting is enabled, and the incoming fax is larger than the default page size, the product attempts to scale the image to fit the page. If this setting is disabled, larger images split across multiple pages.

1. From the Home screen on the product control panel, scroll to and touch the [Administration](#) button.
2. Open the following menus:
 - [Fax Settings](#)
 - [Fax Receive Settings](#)
 - [Default Job Options](#)
 - [Fit to Page](#)
3. Touch the [Enabled](#) option to enable the setting, or touch the [Disabled](#) option to disable it. Touch the [Save](#) button.

Check the sender's fax machine

Ask the sender to try sending from a different fax machine. If the fax quality is better, the problem is with the sender's fax machine. If a different fax machine is unavailable, ask the sender to consider making the following changes:

- Make sure the original document is on white (not colored) paper.
- Increase the fax resolution, quality level, or contrast settings.
- If possible, send the fax from a computer software program.

The product does not print or it prints slowly

The product does not print

If the product does not print at all, try the following solutions.

1. Make sure the product is turned on and that the control panel indicates it is ready.
 - If the control panel does not indicate the product is ready, turn the product off and then on again.
 - If the control panel indicates the product is ready, try sending the job again.
2. If the control panel indicates the product has an error, resolve the error and then try sending the job again.
3. Make sure the cables are all connected correctly. If the product is connected to a network, check the following:
 - Check the light next to the network connection on the product. If the network is active, the light is green.
 - Make sure that you are using a network cable and not a phone cord to connect to the network.
 - Make sure the network router, hub, or switch is turned on and that it is working correctly.
4. Install the HP software from the CD that came with the product or use the UPD print driver. Using generic print drivers can cause delays clearing jobs from the print queue.
5. From the list of printers on your computer, right-click the name of this product, click **Properties**, and open the **Ports** tab.
 - If you are using a network cable to connect to the network, make sure the printer name listed on the **Ports** tab matches the product name on the product configuration page.
 - If you are using a USB cable and are connecting to a wireless network, make sure the box is checked next to **Virtual printer port for USB**.
6. If you are using a personal firewall system on the computer, it might be blocking communication with the product. Try temporarily disabling the firewall to see if it is the source of the problem.
7. If your computer or the product is connected to a wireless network, low signal quality or interference might be delaying print jobs.

The product prints slowly

If the product prints, but it seems slow, try the following solutions.

1. Make sure the computer meets the minimum specifications for this product. For a list of specifications, go to this Web site: www.hp.com/support/lj500colorMFPM575.
2. When you configure the product to print on some paper types, such as heavy paper, the product prints more slowly so it can correctly fuse the toner to the paper. If the paper type setting is not correct for the type of paper you are using, change the setting to the correct paper type.

Solve easy-access USB printing problems

- [The Retrieve From USB Settings menu does not open when you insert the USB flash drive](#)
- [The file does not print from the USB flash drive](#)
- [The file that you want to print is not listed in the Retrieve from USB menu](#)

The Retrieve From USB Settings menu does not open when you insert the USB flash drive

1. You must enable this feature before you can use it.
 - a. From the Home screen on the product control panel, scroll to and touch the [Administration](#) button.
 - b. Open the following menus:
 - [General Settings](#)
 - [Enable Retrieve from USB](#)
 - c. Select the [Enable](#) option, and then touch the [Save](#) button.
2. You might be using a USB flash drive or a file system that this product does not support. Save the files on a standard USB flash drive that uses File Allocation Table (FAT) file systems. The product supports FAT32 USB flash drives.
3. If another menu is already open, close that menu and then reinsert the USB flash drive.
4. The USB flash drive might have multiple partitions. (Some USB flash drive manufacturers install software on the accessory that creates partitions, similar to a CD.) Reformat the USB flash drive to remove the partitions, or use a different USB flash drive.
5. The USB flash drive might require more power than the product can provide.
 - a. Remove the USB flash drive.
 - b. Turn the product off and then on.
 - c. Use a USB flash drive that has its own power supply or that requires less power.
6. The USB flash drive might not be functioning correctly.
 - a. Remove the USB flash drive.
 - b. Turn the product off and then on.
 - c. Try printing from another USB flash drive.

The file does not print from the USB flash drive

1. Make sure that paper is in the tray.
2. Check the control panel for messages. If paper is jammed in the product, clear the jam.

The file that you want to print is not listed in the Retrieve from USB menu

1. You might be trying to print a file type that the USB printing feature does not support. The product supports .pdf, .prn, .pcl, .ps, and .cht file types.
2. You might have too many files in a single folder on the USB flash drive. Reduce the number of files in the folder by moving them to subfolders.
3. You might be using a character set for the file name that the product does not support. In this case, the product replaces the file names with characters from a different character set. Rename the files using ASCII characters.

Solve USB connection problems

If you have connected the product directly to a computer, check the cable.

- Verify that the cable is connected to the computer and to the product.
- Verify that the cable is not longer than 2 m (6.65 ft). Try using a shorter cable.
- Verify that the cable is working correctly by connecting it to another product. Replace the cable if necessary.

Solve wired network problems

Check the following items to verify that the product is communicating with the network. Before beginning, print a configuration page from the product control panel and locate the product IP address that is listed on this page.

- [The product has a poor physical connection.](#)
- [The computer is using the incorrect IP address for the product](#)
- [The computer is unable to communicate with the product](#)
- [The product is using incorrect link and duplex settings for the network](#)
- [New software programs might be causing compatibility problems](#)
- [The computer or workstation might be set up incorrectly](#)
- [The product is disabled, or other network settings are incorrect](#)

The product has a poor physical connection.

1. Verify that the product is attached to the correct network port using a cable of the correct length.
2. Verify that cable connections are secure.
3. Look at the network port connection on the back of the product, and verify that the amber activity light and the green link-status light are lit.
4. If the problem continues, try a different cable or port on the hub.

The computer is using the incorrect IP address for the product

1. Open the printer properties and click the **Ports** tab. Verify that the current IP address for the product is selected. The product IP address is listed on the product configuration page.
2. If you installed the product using the HP standard TCP/IP port, select the box labeled **Always print to this printer, even if its IP address changes.**
3. If you installed the product using a Microsoft standard TCP/IP port, use the hostname instead of the IP address.
4. If the IP address is correct, delete the product and then add it again.

The computer is unable to communicate with the product

1. Test network communication by pinging the product.
 - a. Open a command-line prompt on your computer. For Windows, click **Start**, click **Run**, and then type `cmd`.
 - b. Type `ping` followed by the IP address for your product.
 - c. If the window displays round-trip times, the network is working.
2. If the ping command failed, verify that the network hubs are on, and then verify that the network settings, the product, and the computer are all configured for the same network.

The product is using incorrect link and duplex settings for the network

Hewlett-Packard recommends leaving this setting in automatic mode (the default setting). If you change these settings, you must also change them for your network.

New software programs might be causing compatibility problems

Verify that any new software programs are correctly installed and that they use the correct print driver.

The computer or workstation might be set up incorrectly

1. Check the network drivers, print drivers, and the network redirection.
2. Verify that the operating system is configured correctly.

The product is disabled, or other network settings are incorrect

1. Review the configuration page to check the status of the network protocol. Enable it if necessary.
2. Reconfigure the network settings if necessary.

Solve fax problems

Checklist for solving fax problems

Use the following checklist to help identify the cause of any fax-related problems you encounter:

- **Are you using the fax cable supplied with the fax accessory?** This fax accessory has been tested with the supplied fax cable to meet RJ11 and functional specifications. Do not substitute another fax cable; the analog-fax accessory requires an analog-fax cable. It also requires an analog phone connection.
- **Is the fax/phone line connector seated in the outlet on the fax accessory?** Make sure that the phone jack is correctly seated in the outlet. Insert the connector into the outlet until it "clicks."
- **Is the phone wall jack working properly?** Verify that a dial tone exists by attaching a phone to the wall jack. Can you hear a dial tone, and can you make or receive a phone call?

What type of phone line are you using?

- **Dedicated line:** A standard analog fax/phone line assigned to receive or send faxes.



NOTE: The phone line should be for product fax use only and not shared with other types of telephone devices. Examples include alarm systems that use the phone line for notifications to a monitoring company.

- **PBX system:** A business-environment phone system. Standard home phones and the fax accessory use an analog phone signal. Some PBX systems are digital and might not be compatible with the fax accessory. You need to have access to a standard analog phone connection to be able to send and receive faxes.
- **Roll-over lines:** A phone system feature where a new call "rolls over" to the next available line when the first incoming line is busy. Try attaching the product to the first incoming phone line. The fax accessory answers the phone after it rings the number of times set in the rings-to-answer setting.



NOTE: Roll-over lines can cause problems with receiving faxes. Using roll-over lines with this product is not recommended.



NOTE: Roll-over lines can cause problems with receiving faxes. Using roll-over lines with this product is not recommended.

Are you using a surge-protection device?

A surge-protection device can be used between the wall jack and the fax accessory to protect the fax accessory against electrical power passed through the phone lines. These devices can cause some fax communication problems by degrading the quality of the phone signal. If you are having problems sending or receiving faxes and are using one of these devices, connect the product directly to the phone jack on the wall to determine whether the problem is with the surge-protection device.

Are you using a phone company voice-messaging service or an answering machine?

If the rings-to-answer setting for the messaging service is lower than the rings-to-answer setting for the fax accessory, the messaging service answers the call, and the fax accessory cannot receive faxes. If the rings-to-answer setting for the fax accessory is lower than that of the messaging service, the fax accessory answers all calls.


Does your phone line have a call-waiting feature?

If the fax telephone line has an activated call-waiting feature, a call-waiting notice can interrupt a fax call in progress, which causes a communication error. Ensure that a call-waiting feature is not active on the fax telephone line.


Check fax accessory status

If the analog-fax accessory does not appear to be functioning, print a [Configuration Page](#) report to check the status.

1. From the Home screen, scroll to and touch the [Administration](#) button.
2. Open the following menus:
 - [Reports](#)
 - [Configuration/Status Pages](#)
 - [Configuration Page](#)
3. Touch the [Print](#) button to print the report, or touch the [View](#) button to view the report on the screen. The report consists of several pages.

 **NOTE:** The product IP address or host name is listed on the Jetdirect Page.


On the Fax Accessory Page of the Configuration Page, under the Hardware Information heading, check the Modem Status. The following table identifies the status conditions and possible solutions.

 **NOTE:** If the Fax Accessory Page does not print, there might be a problem with the analog fax accessory. If you are using LAN fax or Internet fax, those configurations could be disabling the feature.

Operational / Enabled ¹	The analog-fax accessory is installed and ready.
Operational / Disabled ¹	<p>The fax accessory is installed, but you have not configured the required fax settings yet.</p> <p>The fax accessory is installed and operational; however, the HP Digital Sending utility has either disabled the product fax feature or has enabled LAN fax. When LAN fax is enabled, the analog-fax feature is disabled. Only one fax feature, either LAN fax or analog fax, can be enabled at a time.</p> <p>NOTE: If LAN fax is enabled, the Fax feature is unavailable on the product control panel.</p>
Non-Operational / Enabled/Disabled ¹	The product has detected a firmware failure. Upgrade the firmware.
Damaged / Enabled/Disabled ¹	The fax accessory has failed. Reseat the fax accessory card and check for bent pins. If the status is still DAMAGED, replace the analog-fax accessory card.

¹ ENABLED indicates that the analog-fax accessory is enabled and turned on; DISABLED indicates that LAN fax is enabled (analog fax is turned off).

General fax problems

Problem	Cause	Solution
The fax failed to send.	JBIG is enabled, and the receiving fax machine does not have JBIG capability.	Turn off the JBIG setting.
An "Out of Memory" status message displays on the product control panel.	The product storage disk is full.	Delete some stored jobs from the disk. From the Home screen on the product control panel, touch the Retrieve from Device Memory button. Open the list of stored jobs or stored faxes. Select a job to delete, and then touch the Delete button.
Print quality of a photo is poor or prints as a gray box.	You are using the wrong page-content setting or the wrong resolution setting.	Try setting the Optimize Text/Picture option to Photograph setting.
You touched the Stop  button on the product control panel to cancel a fax transmission, but the fax was still sent.	If the job is too far along in the sending process, you cannot cancel the job.	This is normal operation.
No fax address book button displays.	The fax address book feature has not been enabled.	Use the HP MFP Digital Sending Software Configuration utility to enable the fax address book feature.
Not able to locate the Fax settings in HP Web Jetadmin.	Fax settings in HP Web Jetadmin are located under the device's status page drop-down menu.	Select Digital Sending and Fax from the drop-down menu.
The header is appended to the top of the page when the overlay option is enabled.	For all forwarded faxes, the product appends the overlay header to the top of a page.	This is normal operation.
A mix of names and numbers is in the recipients box.	Names and numbers can both display, depending on where they are from. The fax address book lists names, and all other databases list numbers.	This is normal operation.
A one-page fax prints as two pages.	The fax header is being appended to the top of the fax, pushing text to a second page.	To print a one page fax on one page, set the overlay header to overlay mode, or adjust the fit-to-page setting.
A document stops in the document feeder in the middle of faxing.	A jam is in the document feeder.	Clear the jam, and send the fax again.
The volume for sounds coming from the fax accessory is too high or too low.	The volume setting needs to be adjusted.	Adjust the volume in the Fax Send Settings menu and the Fax Receive Settings menu.

Use Fax over VoIP networks

VoIP technology converts the analog phone signal into digital bits. These are then assembled into packets which travel on the Internet. The packets are converted and transmitted back to analog signals at or near the destination.

Transmission of information on the Internet is digital instead of analog. Therefore, there are different constraints on the fax transmission that might require different fax settings than the analog Public Switched Telephone Network (PSTN). Fax is very dependent upon timing and signal quality, so a fax transmission is more sensitive to a VoIP environment.

The following are suggested changes in settings for the HP LaserJet Analog Fax Accessory 500 when it is connected to a VoIP service:

- Begin with the fax speed set in Fast (V.34) mode and with Error Correction Mode (ECM) turned on. The V.34 protocol handles any changes in transmission speed needed to accommodate VoIP networks.
- If numerous errors or retries occur with the fax speed set to Fast, set it to Medium (V.17).
- If errors and retries persist, set the fax speed to Slow (V.29) because some VoIP systems cannot handle the higher signal rates associated with fax.
- In rare cases, if errors persist, turn off ECM on the product. The image quality might decrease. Ensure that the image quality is acceptable with ECM off before using this setting.
- If the preceding setting changes have not improved the VoIP fax reliability, contact your VoIP provider for help.

Problems with receiving faxes

Problem	Cause	Solution
Incoming fax calls are not being answered by the fax accessory (no fax detected).	The rings-to-answer setting might not be set correctly.	Check the rings-to-answer setting.
	The fax cable might not be connected correctly, or the fax cable is not working.	Check the installation. Make sure you are using the fax cable that came with the product or with the fax accessory.
	The phone line might not be working.	Disconnect the fax accessory from the phone jack, and then connect a phone. Try to make a phone call to ensure the phone line is working.
	If you are using a PBX system, the ring signals might not be configured correctly.	Check the ring-signal configuration on the PBX system.
	A voice-messaging service might be interfering with incoming faxes.	Do one of the following: <ul style="list-style-type: none"> • Discontinue the messaging service. • Use a phone line dedicated to fax calls. • Decrease the rings-to-answer for the fax accessory to a number less than the rings-to-answer for the voice mail.
Faxes are being received very slowly.	You might be receiving a complex fax, such as one with many graphics.	Complex faxes take longer to transmit.
	The sending fax machine might have a slow modem speed.	The fax accessory only receives the fax at the fastest modem speed the sending fax machine can use. Wait for the fax transmission to complete.
	The resolution at which the fax was sent or is being received is very high. A higher resolution typically results in better quality, but also requires a longer transmission time.	Ask the sender to decrease the resolution and resend the fax.
	If there is a poor phone-line connection, the fax accessory and the sending fax machine slow down the transmission to adjust for errors.	Ask the sender to resend the fax. Ask the phone company to check the phone line.
Faxes are not printing on the product.	No paper is in the input tray.	Load paper. Any faxes received while the input tray is empty are stored and will print after the tray has paper.
	The Fax Printing Schedule feature is in use.	Faxes print according to the schedule. To print faxes immediately, disable the Fax Printing Schedule feature.

Problem	Cause	Solution
	The product is either low on toner or has run out of toner.	If configured, the product stops printing as soon as it is low on toner or runs out of toner. Any faxes received are stored in memory and print after the toner has been replaced.
	The incoming call might be a voice call.	Incoming voice calls usually show up in the call report as a No Fax Detected error. Because these are voice calls and not a fax error, no action is necessary.
	The incoming fax was interrupted.	Verify that the fax telephone line does not have an activated call-waiting feature. A call-waiting notice can interrupt a fax call in progress, which causes a communication error.
	The Fax Printing Schedule feature is set to the Always store faxes option.	Change the Fax Printing Schedule setting to the Always print faxes option.

Problems with sending faxes

Problem	Cause	Solution	
Faxes are transmitting very slowly.	You might be sending a complex fax, such as one with many graphics.	Complex faxes take longer to transmit.	
	The receiving fax machine might have a slow modem speed.	The fax accessory only sends the fax at the fastest modem speed the receiving fax machine can use. Wait for the fax transmission to complete.	
	The resolution at which the fax was sent or is being received is very high. A higher resolution typically results in better quality, but also requires a longer transmission time.	Decrease the resolution and change the Optimize Text/Picture option.	
	If there is a poor phone-line connection, the fax accessory and the receiving fax machine slow down the transmission to adjust for errors.	Cancel and resend the fax. Ask the phone company check the phone line.	
Faxes quit during sending.	The document might have a gray background, which can increase fax transmission time.	Use the Image Adjustment feature to clean up the background shading.	
	The receiving fax machine might be malfunctioning.	Try sending to another fax machine.	
	The phone line might not be working.	Disconnect the fax accessory from the phone jack, and connect a phone. Try to make a phone call to ensure the phone line is working.	
	The phone line might be noisy or poor quality.	Try using a slower fax speed to improve the reliability of transmission. Use the Fax Dialing Settings menu to set the fax speed for sending faxes.	
	A call-waiting feature might be active.	Verify that the fax telephone line does not have an activated call-waiting feature. A call-waiting notice can interrupt a fax call in progress, which causes a communication error.	
	The fax accessory is receiving faxes but is not sending them.	If the fax accessory is on a PBX system, the PBX system might be generating a dial tone the fax accessory cannot detect.	Disable the detect-dial-tone setting.
		There might be a poor phone connection.	Try again later.
The receiving fax machine might be malfunctioning.		Try sending to another fax machine.	
The phone line might not be working.		Disconnect the fax accessory from the phone jack, and connect a phone. Try to make a phone call to ensure the phone line is working.	

Problem	Cause	Solution
Outgoing fax calls keep dialing.	The fax accessory automatically redials a fax number if the Redial On Busy option is on or if the Redial On No Answer option is on.	This is normal operation. If you do not want the fax to retry, set the Redial On Busy option to 0, set the Redial On No Answer option to 0, and set the Redial on error option to 0.
Faxes you send are not arriving at the receiving fax machine.	The receiving fax machine might be turned off or might have an error condition, such as being out of paper.	Ask the recipient to make sure the fax machine is turned on and ready to receive faxes.
	A fax might be in memory because it is waiting to redial a busy number, or there are other jobs ahead of it waiting to be sent.	If a fax job is in memory for either of these reasons, an entry for the job displays in the fax log. Print the fax activity log, and check the Result column for jobs with a Pending designation.

Fax error codes

If a fax problem occurs which prevents or interrupts fax transmission, an error code is generated that can help in determining the cause of the problem. Error codes show up in the fax activity log, the fax call report, and the T.30 Protocol Trace. Print one of these reports to obtain the error code. A detailed description of the error codes and the appropriate action is available at www.hp.com. Search for HP LaserJet Analog Fax Accessory 500.

Fax error messages on the product control panel

If the fax process is interrupted or an error occurs during a fax transmission or reception, a two-part status/error description is generated by the fax subsystem on the product. Normal or successful faxes also generate messages indicating success. The message information consists of a text description and a numeric code (a few messages do not include numeric codes). Only the text part of the message is displayed on the product control panel; however, both the text message and numeric code are listed in the Fax Activity Report, Fax Call Report, and the Fax T.30 Trace. The numeric code is shown in parentheses after the text part of the message in the reports.

The fax modem generates the numeric code. Usually a numeric code of (0) indicates a normal modem response. Some messages always display a numeric code of (0), other messages can have a range of numeric codes, and a few messages have no numeric code. Usually a numeric code of (0) indicates an error was not associated with the fax modem, but occurred in another part of the fax system or other product system such as the printing system. Non-zero error codes give further detail into the particular action or process that the modem is executing, and they do not necessarily indicate that there is a problem with the modem.

Persistent error messages with numeric codes different than those listed here require assistance of customer support. Print a Fax T.30 Trace report before contacting customer support to help identify the problem. This report contains details of the last fax call.

1. From the Home screen on the product control panel, scroll to and touch the [Administration](#) button.
2. Open the following menus:
 - [Troubleshooting](#)
 - [Fax](#)
 - [Fax T.30 Trace](#)
3. Select the [Print T.30 Report](#) option to print the report.

Send-fax messages

Table 10-1 Send-fax messages

Message	Error No.	Description	Action
Cancelled	0	Someone cancelled the fax at the product control panel.	None.
Success	n/a	The fax was sent successfully.	None.
Fail Busy	0	The receiving fax machine is busy.	The fax will be retired automatically (if configured), otherwise try resending fax later.
No Answer	0 or 17	The receiving fax machine is not answering the call, or a person answered the call.	The receiving fax machine might be disconnected or turned off; contact the receiver to check the machine. Try resending.
No Dial Tone	0	No dial tone is detected when sending the fax.	Verify the phone line is active; set the sending fax to "not" to detect a dial tone.
Failed	Any	The fax might be corrupted or not sent.	Try resending fax.
Failed	0	Incompatible page width, or page had too many bad lines.	Try resending fax; if the error persists, contact service.
Failed	17 or 36	Lost telephone connection between sender and receiver. The issue might be due to voice calls interrupting the fax, or a person answering the call.	Try resending the fax.
Failed or Communication Error	Any besides 17 or 36	General communications issue where the fax transmission was interrupted or did not proceed as expected.	Try resending fax; if the error persists, contact support.
Space Fail	0	Unable to read or write the fax image file to disk; could be corrupt product disk or no space available on the product's disk.	Try resending fax; if the error persists, contact support.
Memory Error	0	Out of memory on product.	If the error persists, delete items from the product memory, such as stored jobs or saved faxes.
Power Failure	0	A power failure occurred on the sending fax product during the fax transmission.	Try resending the fax.

Receive-fax messages

Table 10-2 Receive-fax messages

Message	Error No.	Description	Action
Success	n/a	The fax transmission was successful.	None.
Blocked	n/a	The receiving fax machine is using the blocked-number feature and is blocking this fax.	None.
Failed	Any	The fax might be corrupted or not sent.	Ask the sender to resend the fax; if the error persists, contact support.
Failed	0	Incompatible page width or page had too many bad lines.	Ask the sender to resend the fax; if the error persists, contact support.
Failed	17, 36	Lost telephone connection or interruption between sender/receiver.	Ask the sender to resend the fax (if the sending machine does not automatically retry).
Failed	Any besides 17 or 36	General communications issue where the fax transmission was interrupted or did not proceed as expected.	Ask the sender to resend the fax; if the error persists, contact support.
Space Fail	0	Unable to read or write image file to disk; could be corrupt product disk or no space on disk.	Ask the sender to resend the fax; if the error persists, contact support.
Memory Error	0	Out of memory on product.	If the error persists, delete items from the product memory, such as stored jobs or saved faxes.
Print Fail	0	The received image file cannot be decoded.	Ask the sender to resend the fax; enable Error Correction Mode if it is not already enabled.
Power Failure	0	A power failure occurred during the fax reception.	Ask the sender to resend the fax.
No Fax Detected	17, 36	A voice call was made to the fax.	None

Service settings

These items in the control-panel menus are intended to be used when an HP service representative is assisting you.

Settings in the Troubleshooting menu

1. From the Home screen on the product control panel, scroll to and touch the [Administration](#) button.
2. Open the following menus:
 - [Troubleshooting](#)
 - [Fax](#)

Fax T.30 Trace

This is a printed report of all the communications between the sending and receiving fax machines for the last Fax transmission or reception. The report contains detailed error codes and other information that might be useful in troubleshooting a particular problem related to sending or receiving a fax. Print this report before contacting HP customer support.

Fax V.34

This setting controls the modem's method of transmission. The [Normal](#) setting allows the modem to select any of the supported fax speeds up to 33,600 bps. The [Off](#) setting sets the fax speed to 14,400 bps or lower, depending on the speed settings for sending and receiving.

Fax Speaker Mode

In [Normal](#) mode, the modem speaker is turned on during dialing, through the initial connection, and then it turns off. In [Diagnostic](#) mode, the speaker is turned on and remains on for all fax communications until the setting is returned to [Normal](#) mode.


Fax Log Entries

The [Standard](#) fax log includes basic information such as the time and whether the fax was successful. The [Detailed](#) fax log shows the intermediate results of the redial process not shown in the [Standard](#) fax log.

Solve product software problems (Windows)

A print driver for the product is not visible in the Printer folder


1. Reinstall the product software.

 **NOTE:** Close any applications that are running. To close an application that has an icon in the system tray, right-click the icon, and select **Close** or **Disable**.

2. Try connecting the USB cable to a different USB port on the computer.

An error message was displayed during the software installation

1. Reinstall the product software.

 **NOTE:** Close any applications that are running. To close an application that has an icon in the system tray, right-click the icon, and select **Close** or **Disable**.

2. Check the amount of free space on the drive where you are installing the product software. If necessary, free up as much space as you can, and reinstall the product software.
3. If necessary, run the Disk Defragmenter, and reinstall the product software.

The product is in Ready mode, but nothing prints

1. Print a configuration page, and verify the product functionality.
2. Verify that all of the cables are correctly seated and within specifications. This includes the USB and power cables. Try a new cable.
3. Verify that the product IP address listed on the configuration page matches the IP address for the software port. Use one of the following procedures:

Windows XP, Windows Server 2003, Windows Server 2008, and Windows Vista

- a. Click **Start**, or for Windows Vista click the Windows icon in the lower-left corner of the screen.
- b. Click **Settings**.
- c. Click **Printers and Faxes** (using the default Start menu view) or click **Printers** (using the Classic Start menu view).
- d. Right-click the product driver icon, and then select **Properties**.
- e. Click the **Ports** tab, and then click **Configure Port**.
- f. Verify the IP address, and then click **OK** or **Cancel**.
- g. If the IP addresses are not the same, delete the driver, and reinstall the driver using the correct IP address.

Windows 7

- a. Click the Windows icon in the lower-left corner of the screen.
- b. Click **Devices and Printers**.
- c. Right-click the product driver icon, and then select **Printer properties**.
- d. Click the **Ports** tab, and then click **Configure Port**.
- e. Verify the IP address, and then click **OK** or **Cancel**.
- f. If the IP addresses are not the same, delete the driver, and reinstall the driver using the correct IP address.

Solve product software problems (Mac OS X)

- [The product name does not appear in the product list in the Print & Fax or the Print & Scan list](#)
- [A print job was not sent to the product that you wanted](#)
- [When connected with a USB cable, the product does not appear in the Print & Fax or the Print & Scan list after the driver is selected](#)

The product name does not appear in the product list in the Print & Fax or the Print & Scan list

1. Make sure that the cables are connected correctly and the product is on.
2. Print a configuration page to check the product name. Verify that the name on the configuration page matches the product name in the Print & Fax or the Print & Scan list.
3. Replace the USB or network cable with a high-quality cable.
4. If necessary, reinstall the software.



NOTE: Connect the USB or network cable before attempting to reinstall the software.

A print job was not sent to the product that you wanted

1. Open the print queue and restart the print job.
2. Another product with the same or similar name might have received your print job. Print a configuration page to check the product name. Verify that the name on the configuration page matches the product name in the Print & Fax or the Print & Scan list.

When connected with a USB cable, the product does not appear in the Print & Fax or the Print & Scan list after the driver is selected

Software troubleshooting

- ▲ Make sure that your Mac operating system is Mac OS X 10.5 or later.

Hardware troubleshooting

1. Make sure that the product is turned on.
2. Make sure that the USB cable is connected correctly.
3. Make sure that you are using the appropriate high-speed USB cable.

4. Make sure that you do not have too many USB devices drawing power from the chain. Disconnect all of the devices from the chain, and connect the cable directly to the USB port on the computer
5. Check to see if more than two non-powered USB hubs are connected in a row on the chain. Disconnect all of the devices from the chain, and then connect the cable directly to the USB port on the computer.



NOTE: The iMac keyboard is a non-powered USB hub.

Remove software (Windows)

Windows XP

1. Click **Start**, **Control Panel**, and then **Add or Remove Programs**.
2. Find and select the product from the list.
3. Click the **Change/Remove** button to remove the software.

Windows Vista

1. Click the Windows icon in the lower-left corner of the screen. Click **Control Panel**, and then click **Programs and Features**.
2. Find and select the product from the list.
3. Select the **Uninstall/Change** option.

Windows 7

1. Click the Windows icon in the lower-left corner of the screen. Click **Control Panel**, and then under the **Programs** heading, click **Uninstall a program**.
2. Find and select the product from the list.
3. Select the **Uninstall** option.

Remove the print driver (Mac OS X)

You must have administrator rights to remove the software.

1. Open **System Preferences**.
2. Select **Print & Fax**.
3. Highlight the product.
4. Click the minus (-) symbol.
5. Delete the print queue, if necessary.

Index

A

- accessories
 - ordering 48
- activity log 195
- address books, email
 - recipient lists 160
 - recipient lists, creating 158
- adjust copy images 135
- administration menu map
 - description 9
- AirPrint 112
- alternative letterhead mode 28
- antcounterfeit supplies 50
- automatic paper sensing 34, 38, 43

B

- billing code report
 - printing 196
- billing codes 172
- billing codes report
 - description 10
- bin
 - capacity 44
 - location 44
- bins, output
 - capacity 44
 - locating 2
- black and white
 - copy jobs 133
- blank pages
 - placing between print jobs 109
- blocked fax list
 - description 10
- blocked fax list report
 - printing 196
- Bonjour
 - identifying 200

- booklets
 - creating (Windows) 91
 - printing (Mac) 95
- books
 - copying 139
- both sides, copying 128, 129
- both sides, copying manually
 - duplex, manual 129
- browser requirements
 - HP embedded Web Server 200

C

- cable, USB
 - part number 55
- calibrate
 - colors 239
 - scanner 246
- call report 196
- canceling a fax 194
- canceling a print request (Mac OS X) 98
- canceling a print request (Windows) 96
- capacity
 - tray 1 29
 - tray 2 35
 - tray 3 40
- cartridges
 - non-HP 49, 58
 - order numbers 58
 - recycling 58
 - replacing 59
 - storage 58
- checklist
 - problems 216
- cleaning
 - control panel 7
 - paper path 239

- rollers 248, 253, 258
- scanner glass 245, 250, 255
- CMYK samples
 - description 10
- collate
 - copy jobs 126
- color
 - copy jobs 133
 - Edge Control 102
 - match 102
 - Neutral Grays 102
 - Pantone® matching 104
 - print color samples 103
 - printed vs. monitor 102
 - sample book matching 103
- color options
 - changing, Windows 241
 - HP EasyColor (Windows) 100
 - setting (Mac) 101
- color theme
 - changing, Windows 101, 241
- color usage job log page
 - description 9
- colors
 - calibrate 239
- configuration page
 - description 9
- configuring
 - IP address 13, 17
- connection
 - USB with Mac 16
 - USB with Windows 12
- control panel
 - cleaning 7
 - help 7, 220
 - locating 2
- copy
 - adjust lightness/darkness 135

- books 139
- collate 126
- color 133
- enlarge 131
- from document feeder 121, 122, 124
- from glass 121, 122, 124
- grayscale 133
- improve quality 245, 250, 255
- Job Build 138
- Job Mode 138
- multiple originals 138
- optimize for text or pictures 134, 247
- photos 141
- reduce 131
- restoring default settings 120
- set options 118
- special paper 137
- two-sided documents 128, 129
- copy multiple pages 124
- copy settings
 - HP Embedded Web Server 202
- counterfeit supplies 50
- cover pages
 - printing on different paper (Windows) 86
- covers, locating 2
- current settings page
 - description 9
- customer self-repair
 - part numbers 53

D

- date/time setting 167
- default gateway, setting 198
- default settings, copy
 - restoring 120
- deleting
 - stored jobs 108
- demonstration page
 - description 10
- digital send settings
 - HP Embedded Web Server 203
- digital sending
 - address books 158, 160

- folders 148
- job settings 146
- product memory 151
- recipient lists 160
- sending documents 155
- USB flash drive 152
- document feeder 128
 - copying two-sided documents 128
 - jams 224
 - make copies from 121, 122, 124
 - paper-feeding problems 222
- double-sided copying 128, 129
- drivers
 - changing paper sizes 96
 - changing settings (Mac) 71
 - changing settings (Windows) 70
 - paper types 25
 - presets (Mac) 93
 - settings (Mac) 93
 - universal 68
- duplex 128
- duplex printing
 - Mac 93
- duplex printing (double-sided)
 - settings (Windows) 77

E

- easy-access USB printing 114
- Edge Control 102
- edge-to-edge copying 248
- email
 - address books 158, 160
 - recipient lists 160
 - sending documents 155
- email feature
 - enabling 144
- Embedded Web Server (EWS)
 - assigning passwords 212
 - features 200
 - network connection 200
- energy use, optimizing 210
- enlarge
 - copy jobs 131
- error
 - codes 277
- errors
 - software 281

- Explorer, versions supported
 - HP Embedded Web Server 200

F

- fax
 - canceling 194
 - feeding problems 271
 - optimize for text or pictures 257
 - required settings 166
 - setup wizard 166
 - speed dial 188
- fax activity log
 - description 10
- fax address book 191
- fax call report
 - description 10
- Fax Reports
 - description 10
- fax settings
 - HP Embedded Web Server 204
- feeding problems 271
- file directory page
 - description 9
- file upload, Mac 207
- firmware
 - update, Mac 207
- first page
 - printing on different paper (Windows) 86
- folders
 - sending to 148
- fonts
 - upload, Mac 207
- formatter
 - security 213
- fraud Web site 50
- fuser
 - jams 230

G

- gateway, setting default 198
- general configuration
 - HP Embedded Web Server 201
- grayscale
 - copy jobs 133
- group dial. See speed dial

H

- hard disks
 - encrypted 213
- help, control panel 7, 220
- HP Easy Color
 - disabling 100
 - using 100
- HP Embedded Web Server
 - copy settings 202
 - digital send settings 203
 - fax settings 204
 - general configuration 201
 - HP Web Services 205
 - information pages 201
 - network settings 205
 - other links list 206
 - print settings 202
 - scan settings 203
 - security settings 205
 - troubleshooting tools 204
- HP Embedded Web Server (EWS)
 - features 200
 - network connection 200
- HP ePrint Mobile Driver 111
- HP ePrint, using 110
- HP fraud Web site 50
- HP Smart Print 113
- HP Universal Print Driver 68
- HP Utility 207
- HP Utility, Mac 207
- HP Web Jetadmin 209
- HP Web Services
 - enabling 205
- HP Web Services, enabling 110

I

- information pages
 - HP Embedded Web Server 201
 - printing or viewing 9
- installing
 - product on wired networks, Mac 17
 - software, wired networks 14
- interface ports
 - locating 3, 4
- Internet Explorer, versions
 - supported
 - HP Embedded Web Server 200

- IP address
 - configuring 13, 17
- IP Security 212
- IPsec 212
- IPv4 address 198
- IPv6 address 199

J

- jams
 - auto-navigation 223
 - causes of 222
 - document feeder 224
 - fuser 230
 - locations 223
 - lower right door 235
 - output bin 226
 - recovery 236
 - right door 230
 - Tray 1 227
 - Tray 2 229
 - Tray 3 234, 235
- Jetadmin, HP Web 209
- Jetdirect print server
 - part number 55
- Job Build, copying 138
- Job Mode, copying 138
- job storage
 - Mac settings 107
- job-separator pages 109
- jobs, stored
 - creating (Windows) 105
 - deleting 108
 - printing 108

L

- labels
 - printing (Windows) 83
- landscape orientation
 - changing (Mac) 94
 - selecting, Windows 81
- last page
 - printing on different paper (Windows) 86
- loading
 - staples 65
 - toner cartridges 56
 - Tray 1 31
 - Tray 2 37
 - Tray 3 41

- log/report
 - activity log 195
 - billing code report 196
 - blocked fax list report 196
 - fax call report 196
 - speed dial list report 196
- lower right door
 - jams 235

M

- Mac
 - driver settings 71, 93
 - problems, troubleshooting 283
 - removing software 286
- Mac driver settings
 - Job Storage 107
- Macintosh
 - HP Utility 207
- maintenance kits
 - part numbers 53
- managing network 198
- margins, small
 - copying 248
- media
 - stapling 65
 - supported sizes 22
- memory DIMMs
 - security 213
- modem speed 273
- multiple pages per sheet
 - printing (Mac) 93
 - printing (Windows) 79

N

- Netscape Navigator, versions
 - supported
 - HP embedded Web Server 200
- network
 - settings, changing 198
 - settings, viewing 198
- Network Folder, scan to 148
- network settings
 - HP Embedded Web Server 205
- networks
 - default gateway 198
 - HP Web Jetadmin 209
 - IPv4 address 198

- IPv6 address 199
- subnet mask 198
- networks, wired
 - installing product, Mac 17
 - installing product, Windows 13
- Neutral Grays 102
- non-HP supplies 49, 58
- not configured 166

O

- on/off button, locating 2
- online help, control panel 7, 220
- optimize copy images 134, 247
- optimize fax images 257
- optimize scanned images 163, 252
- ordering
 - supplies and accessories 48
- orientation
 - changing (Mac) 94
 - selecting, Windows 81
 - tray 3 40
- other links list
 - HP Embedded Web Server 206
- output bin
 - jams 226
 - locating 2

P

- page orientation
 - changing (Mac) 94
- page sizes
 - scaling documents to fit (Mac) 95
 - scaling documents to fit (Windows) 89
- pages per sheet
 - selecting (Mac) 93
 - selecting (Windows) 79
- paper
 - covers, using different paper 86
 - first and last pages, using different paper 86
 - jams 222
 - selecting 240
 - supported sizes 22
 - supported types 25

- paper pickup problems
 - solving 221
- paper size
 - changing 96
- paper sizes
 - selecting (Mac) 98
 - selecting custom sizes (Mac) 98
 - selecting custom sizes (Windows) 97
- paper type
 - selecting (Windows) 83
- paper types
 - selecting (Mac) 94
- paper, covers
 - printing (Mac) 94
- paper, ordering 48
- part numbers
 - customer self-repair 53
 - maintenance kits 53
 - supplies 53
- PBX systems troubleshooting 275
- PCL drivers
 - universal 68
- PCL font list
 - description 10
- performance factors
 - Tray 1 218
- phone lines troubleshooting 275
- photos
 - copying 141
- portrait orientation
 - changing (Mac) 94
 - selecting, Windows 81
- ports
 - locating 4
- power connection
 - locating 3, 4
- power switch, locating 2
- presets (Mac) 93
- print drivers
 - supported 68
- print drivers (Mac)
 - changing settings 71
 - settings 93
- print drivers (Windows)
 - changing settings 70
- print on both sides
 - Mac 93

- print server
 - part number 55
- print settings
 - HP Embedded Web Server 202
- printing
 - from USB storage accessories 114
 - settings (Mac) 93
 - stored jobs 108
 - printing on both sides
 - settings (Windows) 77
- problem-solving
 - no response 261
 - slow response 262
- product memory
 - sending to 151
- product memory, scan to 151
- PS font list
 - description 10

R

- recipient lists 160
- recycling supplies 58
- reduce
 - copy jobs 131
- removing Mac software 286
- replacing printing cartridges 59
- required settings
 - country/region 166
- resize documents
 - Mac 95
 - Windows 89
- restore factory settings 219
- restoring default settings
 - copy 120
- RGB samples
 - description 10
- right door
 - jams 230
- rollers
 - cleaning 248, 253, 258

S

- save to device memory
 - enabling 144
- save to network folder
 - enabling 144
- Save to product memory 151
- Save to USB 152

- save to USB
 - enabling 144
 - scale documents
 - Mac 95
 - Windows 89
 - scan
 - job settings 146
 - scan settings
 - HP Embedded Web Server 203
 - scanner
 - calibrate 246
 - scanner glass
 - cleaning 245, 250, 255
 - scanning
 - optimize for text or pictures 252
 - scan pictures 163
 - scanning to email
 - address books 158, 160
 - job settings 146
 - recipient lists 160
 - sending documents 155
 - scanning to folder 148
 - scanning to product memory 151
 - scanning to USB 152
 - security settings
 - HP Embedded Web Server 205
 - security
 - encrypted hard disk 213
 - Send to email
 - enabling 144
 - Send to Folder 148
 - sending a fax
 - delete multiple recipients 184
 - to multiple recipients 180
 - using fax address book numbers 191
 - sending to email
 - address books 158, 160
 - job settings 146
 - recipient lists 160
 - sending documents 155
 - service settings 280
 - settings
 - billing codes 172
 - driver presets (Mac) 93
 - drivers 70
 - drivers (Mac) 71
 - required 166
 - restore factory 219
 - shortcuts (Windows)
 - creating 74
 - using 72
 - Sign in
 - control panel 212
 - sleep mode
 - disabling 210
 - enabling 210
 - Sleep Schedule
 - setting 210
 - slow fax reception 273
 - slow fax transmission 275
 - small margins 248
 - software
 - HP Utility 207
 - installing, wired networks 14
 - problems 281
 - uninstalling for Windows 285
 - uninstalling Mac 286
 - solving
 - direct-connect problems 265
 - easy-access USB printing problems 263
 - network problems 266
 - special paper
 - copying 137
 - printing (Windows) 83
 - special paper for covers
 - printing (Mac) 94
 - speed dial
 - creating 180
 - delete 184
 - faxes 188
 - list report 196
 - speed dial list
 - description 10
 - speed, optimizing 210
 - staple cartridge
 - loading 65
 - part number 65
 - stapler
 - loading staples 65
 - staples, loading 65
 - stapling 65
 - status
 - HP Utility, Mac 207
 - status, fax accessory page 270
 - stopping a print request (Mac OS X) 98
 - stopping a print request (Windows) 96
 - storage, job
 - Mac settings 107
 - stored jobs
 - creating (Mac) 107
 - creating (Windows) 105
 - deleting 108
 - printing 108
 - storing
 - toner cartridges 58
 - storing jobs
 - with Windows 105
 - subnet mask 198
 - supplies
 - counterfeit 50
 - non-HP 49, 58
 - ordering 48
 - part numbers 53
 - recycling 58
 - replacing toner cartridges 59
 - status, viewing with HP Utility 207
 - supplies status 238
 - supplies status page
 - description 9
 - supported media 22
 - system requirements
 - HP Embedded Web Server 200
- T**
- T.30 Trace report 280
 - TCP/IP
 - manually configuring IPv4 parameters 198
 - manually configuring IPv6 parameters 199
 - toner cartridges
 - loading 56
 - non-HP 49, 58
 - order numbers 58
 - recycling 58
 - replacing 59
 - storage 58
 - toner collection unit
 - replacing 62
 - toner-cartridge status 238

- transparencies
 - automatic sensing 34, 38, 43
 - printing (Windows) 83
- trapping 102
- Tray 1
 - automatic paper sensing 34
 - jams 227
 - loading 31
- tray 1
 - capacity 29
 - orientation 29
- Tray 2
 - jams 229
 - loading 37
- tray 2
 - capacity 35
 - orientation 35
- Tray 3
 - jams 234, 235
 - loading 41
- tray 3
 - capacity 40
 - orientation 40
- trays
 - configure 27
 - locating 2
- troubleshooting
 - checklist 216
 - direct-connect problems 265
 - easy-access USB printing problems 263
 - jams 222
 - Mac problems 283
 - network problems 266
 - paper feed problems 221
 - PBX systems 275
 - slow fax reception 273
 - slow fax transmission 275
- troubleshooting tools
 - HP Embedded Web Server 204
- two-sided copying 128, 129
- two-sided printing
 - settings (Windows) 77

U

- uninstalling Mac software 286
- uninstalling Windows software 285
- universal print driver 68

- usage page
 - description 9
- USB
 - sending to 152
- USB configuration, Mac 16
- USB configuration, Windows 12
- USB storage accessories
 - printing from 114
- USB, scan to 152

V

- VoIP 272

W

- watermarks
 - printing (Mac) 99
 - printing (Windows) 97
- Web browser requirements
 - HP Embedded Web Server 200
- Web services status page
 - description 9
- Web sites
 - fraud reports 50
 - HP Web Jetadmin, downloading 209
 - universal print driver 68
- Windows
 - driver settings 70
 - universal print driver 68
- Windows print drivers
 - supported 68
- wizard, fax setup 166



CD644-90907

