



Maintenance and Service Guide

HP ProBook 430 G6 Notebook PC

© Copyright 2018 HP Development Company, L.P.

AMD is a trademark of Advanced Micro Devices, Inc. Bluetooth is a trademark owned by its proprietor and used by HP Inc. under license. Intel, Celeron, Core, Pentium, and Thunderbolt are trademarks of Intel Corporation in the U.S. and other countries. Windows is either a registered trademark or trademark of Microsoft Corporation in the United States and/or other countries.

The information contained herein is subject to change without notice. The only warranties for HP products and services are set forth in the express warranty statements accompanying such products and services. Nothing herein should be construed as constituting an additional warranty. HP shall not be liable for technical or editorial errors or omissions contained herein.

First Edition: December 2018

Document Part Number: L46754-001

Product notice

This guide describes features that are common to most models. Some features may not be available on your computer.

Not all features are available in all editions or versions of Windows. Systems may require upgraded and/or separately purchased hardware, drivers, software or BIOS update to take full advantage of Windows functionality. Windows 10 is automatically updated, which is always enabled. ISP fees may apply and additional requirements may apply over time for updates. Go to <http://www.microsoft.com> for details.


To access the latest user guides, go to <http://www.hp.com/support>, and follow the instructions to find your product. Then select **User Guides**.

Software terms

By installing, copying, downloading, or otherwise using any software product preinstalled on this computer, you agree to be bound by the terms of the HP End User License Agreement (EULA). If you do not accept these license terms, your sole remedy is to return the entire unused product (hardware and software) within 14 days for a full refund subject to the refund policy of your seller.

For any further information or to request a full refund of the price of the computer, please contact your seller.

Important Notice about Customer Self-Repair Parts

 **CAUTION:** Your computer includes Customer Self-Repair parts and parts that should only be accessed by an authorized service provider. See Chapter 5, "Removal and replacement procedures for Customer Self-Repair parts," for details. Accessing parts described in Chapter 6, "Removal and replacement procedures for Authorized Service Provider only parts," can damage the computer or void your warranty.

Safety warning notice


 **WARNING!** To reduce the possibility of heat-related injuries or of overheating the computer, do not place the computer directly on your lap or obstruct the computer air vents. Use the computer only on a hard, flat surface. Do not allow another hard surface, such as an adjoining optional printer, or a soft surface, such as pillows or rugs or clothing, to block airflow. Also, do not allow the AC adapter to contact the skin or a soft surface, such as pillows or rugs or clothing, during operation. The computer and the AC adapter comply with the user-accessible surface temperature limits defined by the International Standard for Safety of Information Technology Equipment (IEC 60950-1).

Table of contents

1 Product description	1
2 Components	7
Right	7
Left	9
Display	10
Keyboard area	12
TouchPad	12
Lights	13
Button, speakers, and fingerprint sensor	14
Special keys	15
Action keys	16
Hot keys (select products only)	17
Bottom	18
Labels	19
3 Illustrated parts catalog	20
Computer major components	20
Display components, non-touch models	23
Display components, touch models	25
Cable Kit	26
Bracket Kit	27
Mass storage devices	28
Miscellaneous parts	29
4 Removal and replacement procedures preliminary requirements	31
Tools required	31
Service considerations	31
Plastic parts	31
Cables and connectors	31
Drive handling	32
Workstation guidelines	32
Electrostatic discharge information	32
Generating static electricity	33
Preventing electrostatic damage to equipment	33
Personal grounding methods and equipment	34

Grounding the work area	34
Recommended materials and equipment	34
Packaging and transporting guidelines	35
5 Removal and replacement procedures for Customer Self-Repair parts	36
Component replacement procedures	36
Preparation for disassembly	36
Battery Safe mode	36
Bottom cover	37
Battery	38
Memory modules	39
WLAN/Bluetooth combo card	41
WWAN module	43
M.2 solid-state drive	45
Hard drive	46
6 Removal and replacement procedures for Authorized Service Provider parts	48
Component replacement procedures	48
Speaker assembly	49
Fan	50
Heat sink	51
Power/USB board	53
TouchPad assembly	54
Fingerprint sensor assembly	55
Card reader board	57
RTC battery	59
System board	60
Display assembly, touch models	63
Display assembly, non-touch models	70
Power connector cable	80
Keyboard/top cover	81
7 Computer Setup (BIOS), TPM, and HP Sure Start	82
Using Computer Setup	82
Starting Computer Setup	82
Navigating and selecting in Computer Setup	82
Restoring factory settings in Computer Setup	82
Updating the BIOS	83
Determining the BIOS version	83
Downloading a BIOS update	83

Changing the boot order using the f9 prompt	84
TPM BIOS settings (select products only)	84
Using HP Sure Start (select products only)	85
8 Using HP PC Hardware Diagnostics	86
Using HP PC Hardware Diagnostics Windows (select products only)	86
Downloading HP PC Hardware Diagnostics Windows	86
Downloading the latest HP PC Hardware Diagnostics Windows version	87
Downloading HP Hardware Diagnostics Windows by product name or number (select products only)	87
Installing HP PC Hardware Diagnostics Windows	87
Using HP PC Hardware Diagnostics UEFI	87
Starting HP PC Hardware Diagnostics UEFI	88
Downloading HP PC Hardware Diagnostics UEFI to a USB flash drive	88
Downloading the latest HP PC Hardware Diagnostics UEFI version	88
Downloading HP PC Hardware Diagnostics UEFI by product name or number (select products only)	88
Using Remote HP PC Hardware Diagnostics UEFI settings (select products only)	89
Downloading Remote HP PC Hardware Diagnostics UEFI	89
Downloading the latest Remote HP PC Hardware Diagnostics UEFI version	89
Downloading Remote HP PC Hardware Diagnostics UEFI by product name or number	89
Customizing Remote HP PC Hardware Diagnostics UEFI settings	89
9 Backing up, restoring, and recovering	91
Backing up information and creating recovery media	91
Using Windows tools	91
Using the HP Cloud Recovery Download Tool to create recovery media (select products only)	91
Restoring and recovery	92
Restoring, resetting, and refreshing using Windows tools	92
Recovering using HP Recovery media	92
Changing the computer boot order	92
10 Specifications	93
Computer specifications	93
33.8-cm (13.3-in) display specifications	94
Hard drive specifications	94
Solid-state drive specifications	95
11 Statement of memory volatility	96
Nonvolatile memory usage	98

Questions and answers	100
Using HP Sure Start (select models only)	101
12 Power cord set requirements	102
Requirements for all countries	102
Requirements for specific countries and regions	103
13 Recycling	105
Index	106

1 Product description

Table 1-1 Product components and their descriptions

Category	Description
Product Name	HP ProBook 430 G6 Notebook PC
Processors	<p>8th generation, Intel® Core™ (15 W)</p> <p>i7-8565U, 1.8 GHz/4.6 GHz, quad core turbo, 8 MB L3 cache; Intel UHD Graphics 620</p> <p>i5-8365U, 1.7 GHz/4.0 GHz, quad core turbo, 6 MB L3 cache; Intel UHD Graphics 620</p> <p>i5-8265U, 1.6 GHz/3.9 GHz, quad core turbo, 6 MB L3 cache; Intel UHD Graphics 620</p> <p>i3-8145U, 2.1 GHz/3.9 GHz, dual core turbo, 4 MB L3 cache; Intel UHD Graphics 620</p> <p>Intel Pentium® Gold (15 W)</p> <p>5405U, 2.3 GHz, dual core, 2 MB L3 cache; Intel HD Graphics 610</p> <p>Intel® Celeron (15 W)</p> <p>4205U, 1.8 GHz, dual core, 2 MB L3 cache; Intel HD Graphics 610</p>
Graphics	<p>Supports HD decode, DX12, HDMI 1.4b up to 4K 30 Hz, HDCP 2.2 via DisplayPort</p> <p>Integrated Intel UMA Graphics</p> <p>Integrated with shared video memory (see Processor category)</p> <p>Supports 3 independent displays when on the HP USB-C Dock G4; Max resolution = 4K @ 30Hz (DisplayPort 1) or 4K @30Hz (DisplayPort 2)</p> <p>Supports 3 independent displays when on the HP TB Dock 120 W (using USB-C); Max resolution = 4K @30Hz (DisplayPort 1) or 4K @30Hz (DisplayPort 2)</p>
Panel	<p>33.8 cm (13.3-inch), HD (1366 × 768), LED backlight, SVA, 220 nits, 45% CG, eDP, ultraslim, two WLAN antennas</p> <p>No camera</p> <p>HD camera</p> <p>HD+ IR camera</p> <p>HD camera, for WWAN</p> <p>33.8 cm (13.3-inch), FHD (1920 × 1080), LED backlight, UWVA, 220 nits, 45% CG, eDP, slim, two WLAN antennas</p> <p>No camera</p> <p>HD camera</p> <p>HD+IR camera</p> <p>HD camera, for WWAN</p> <p>Touch screens; 33.8 cm (13.3-inch), 45% CG, 220 nits, eDP, two WLAN antennas</p> <p>HD (1366 × 768), SVA, ultraslim, HD camera</p>

Table 1-1 Product components and their descriptions (continued)

Category	Description
	FHD (1920 × 1080), UWVA, slim, HD camera
	FHD (1920 × 1080), UWVA, slim, for WWAN, HD camera
Memory	Two customer-accessible memory module slots supporting up to 32 GB of RAM
	Supports dual-channel memory
	PC4-2400, DDR4 SODIMMs
	Supports the following configurations:
	<ul style="list-style-type: none"> • 32768 MB (16384 × 2; dual channel) • 16384 MB (16384 × 1) • 16384 MB (8192 × 2; dual channel) • 12288 MB (8192 + 4096; dual channel) • 8192 MB (8192 × 1) • 8192 MB (4096 × 2; dual channel) • 4096 MB (4096 × 1)
Cache	Intel Optane 16 GB memory cache
Primary storage	Supports the following SATA, 7 mm, 2.5 inch hard drives:
	<ul style="list-style-type: none"> • 1 TB, 5400 rpm • 500 GB, 7200 rpm
Primary M.2 storage	Supports the following M.2 2280 solid-state drives:
	<ul style="list-style-type: none"> • 512 GB, PCIe, NVMe, TLC (not available with Pentium, Celeron) • 256 GB, PCIe, NVMe, value (not available with Pentium, Celeron) • 256 GB, SATA, TLC (only available with Pentium) • 128 GB, SATA, TLC
Fixed optical drive	Supports external USB drive via power port
Audio/Visual	Audio controls
	Integrated mono microphone (non-camera models only)
	Integrated dual-array microphone
	Integrated camera (720p HD)(select models only)
	Integrated camera (720p HD + IR)(select models only)
	Supports WDR (Wide Dynamic Range)
	Headphone/microphone combo jack
Ethernet	Realtek RTL8111HSH 10/100/1000
	S3/S4/S5 wake on LAN with embedded NIC
	The following support S3/S4/S5 wake on LAN (via out of band): HP USB-C Universal Dock, HP USB-C Dock G4, HP Thunderbolt™ Dock 120 W G2, and HP USB-C Mini Dock.

Table 1-1 Product components and their descriptions (continued)

Category	Description
	The following support S0/S3/S4/S5 MAPT (via out of band): HP USB-C Universal Dock, HP USB-C Dock G4, HP Thunderbolt Dock 120 W G2, and HP USB-C Mini Dock.
Wireless	<p>Wireless Personal Area Network (PAN) Bluetooth®</p> <p>Bluetooth 4.2 and Bluetooth 5.0 supported using combo card</p> <p>Wireless Local Area Network (WLAN) (select models only)</p> <p>Integrated WLAN options with dual antennas (M.2 2230 socket PCIe/USB):</p> <ul style="list-style-type: none"> Realtek RTL8822BE 802.11ac 2 × 2 Wi-Fi + Bluetooth 4.2 Combo Adapter <p>Integrated WLAN options with dual antennas (CNViL):</p> <ul style="list-style-type: none"> Intel Dual Band Wireless-AC 9560 802.11ac 2 × 2 Wi-Fi + Bluetooth 5.0 Combo Adapter (non-vPro) <p>WLAN antennas (3)(configured at bottom of panel on all models)</p> <p>Supports HP LAN-Wireless Protection (WLAN/LAN/WWAN switching)</p> <p>Supports HP Connection Optimizer</p> <p>Supports Fast PCIe Error Identification</p> <p>Support for Miracast</p> <p>Supports WoWLAN S3/S4 AC Mode</p> <p>Wireless Wide Area Network (WWAN) (select models only)</p> <p>Integrated WWAN options by way of wireless module (select models only)</p> <p>SIM module: Micro SIM/3FF (user accessible behind battery)</p> <p>WWAN cards are compatible with a programmable, removable eSIM</p> <p>Integrated WWAN options with dual antennas (M.2 30 × 42 socket USB2):</p> <ul style="list-style-type: none"> Intel XMM™ 7262 LTE-Advanced (Cat6) <p>Integrated WWAN options with dual antennas (M.2 30 × 42 socket PCIe):</p> <ul style="list-style-type: none"> Intel XMM 7360 LTE-Advanced
External media card	<p>Digital Media Reader Slot</p> <p>Supports SD, SDHC, SDXC</p>
Ports (Input/output)	<p>Hot plug/unplug and auto detect</p> <p>HDMI 1.4b</p> <p>USB 3.0 + powered port (left)</p> <p>USB 3.1 Gen 1 port (right)</p> <p>USB 3.1 Gen 1 Type-C port (PD+DP)</p> <p>Headphone/microphone combo jack</p> <p>RJ-45 (Ethernet)</p> <p>Multi-pin AC port</p>
Sensors	Combo chip/accelerometer

Table 1-1 Product components and their descriptions (continued)

Category	Description
	Hall sensor
Docking	HP Thunderbolt Dock 120 W G2
	HP USB-C Dock G4
	HP USB-C Universal Dock
	HP USB-C Mini Dock
Keyboard/pointing devices	Keyboard
	Backlit and non-backlit, spill-resistant
	TouchPad requirements
	On/off control by driver
	Taps enabled by default
	Supports PTP with Miniport driver
	Windows® 10 gestures enabled by default: 2-finger scrolling, 2-finger zoom, OSD (enable/disable), 3-finger tap - Cortana, 3-finger flick - App switch, 4-finger tap - Action Center
Windows 10 gestures disabled by default: 3-finger flick, 2-finger rotate, momentum motion, 1-finger vertical scroll	
Power requirements	Battery
	3 cell, 45 Whr, 3.92 Ah, lithium polymer, soft pack
	HP Long Life
	HP Fast Charge Technology
	AC adapters
	65 W Smart AC adapter, right angle, 4.5 mm
	65 W Smart AC adapter, right angle, 4.5 mm, Argentina
	65 W Smart AC adapter, right angle, 4.5 mm - EM
	65 W straight USB Type-C AC adapter
	45 W Smart AC adapter, right angle, 4.5 mm
	45 W Smart AC adapter, right angle, 4.5 mm – Argentina
	45 W Smart AC adapter, right angle, 2-prong, 4.5 mm (Japan only)
	45 W straight USB Type-C AC adapter
	Power cords
	3-wire plug (C5), 1.8 m, conventional
	3-wire plug (C5), 1.0 m, conventional
	2-wire plug (C7), 1.0 m, conventional, Japan 2-prong adapter
	Duckhead power cord (C5NS), 1.8 m
	Duckhead power cord (C5NS), 1.0 m

Table 1-1 Product components and their descriptions (continued)

Category	Description
	Duckhead (C5NS)
Security	Security lock
	Integrated fingerprint sensor (select models only)
	TPM 2.0 (Infineon; soldered down)
	Hardware enforced firmware protection: HP Hardware Root of Trust
	Preboot authentication (password)
Operating system	Operating system version
	Windows 10
	Preinstalled
	Windows 10 Home 64
	Windows 10 Home 64 Advanced
	Windows 10 Home 64 Advanced Single Language
	Windows 10 Home 64 Chinese Market CPPP
	Windows 10 Home 64 High-end Chinese Market CPPP
	Windows 10 Home 64 Plus
	Windows 10 Home 64 Plus Single Language
	Windows 10 Home 64 Plus Single Language Africa Market PPP
	Windows 10 Home 64 Plus Single Language APAC EM PPP
	Windows 10 Home 64 Plus Single Language India Market PPP
	Windows 10 Home 64 Plus Single Language Indonesia Market PPP
	Windows 10 Home 64 Single Language
	Windows 10 Home 64 Single Language Africa Market PPP
	Windows 10 Home 64 Single Language APAC EM PPP
	Windows 10 Home 64 Single Language India Market PPP
	Windows 10 Home 64 Single Language Indonesia Market PPP
	Windows 10 Home 64 StF MSNA for Higher Education
	Windows 10 Home 64 StF MSNA for Higher Education - Strategic
	Windows 10 Pro 64
	Windows 10 Pro 64 Chinese Market
	Windows 10 Pro 64 StF MSNA
	Windows 10 Pro 64 StF MSNA Emerging Markets
	Windows 10 Pro 64 StF MSNA Plus
	Windows 10 Pro 64 StF MSNA Standard

Table 1-1 Product components and their descriptions (continued)

Category	Description
	Windows 10 Pro 64 StF MSNA Strategic
	FreeDOS 3.0
	Restore Media
	Windows 10 Driver DVD
	Windows 10 Professional 64-bit OS DVD
	Certified
	Microsoft WHQL
	Web-only support
	Windows 10 Enterprise 64
Serviceability	End-user replaceable parts
	AC adapter
	M.2 solid-state drive
	Hard drive
	Memory module
	WLAN module
	WWAN module
	WWAN SIM card

2 Components

Your computer features top-rated components. This chapter provides details about your components, where they are located, and how they work.

Right

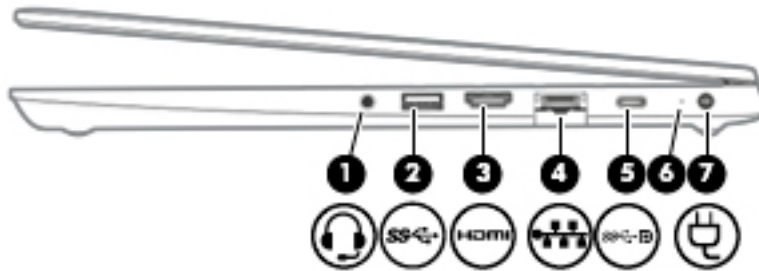


Table 2-1 Right-side components and their descriptions





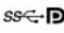

Component	Description
(1) 	<p>Audio-out (headphone)/Audio-in (microphone) combo jack</p> <p>Connects optional powered stereo speakers, headphones, earbuds, a headset, or a television audio cable. Also connects an optional headset microphone. This jack does not support optional standalone microphones.</p> <p>WARNING! To reduce the risk of personal injury, adjust the volume before putting on headphones, earbuds, or a headset. For additional safety information, see the <i>Regulatory, Safety, and Environmental Notices</i>.</p> <p>To access this guide:</p> <ul style="list-style-type: none"> ▲ Select the Start button, select HP Help and Support, and then select HP Documentation. <p>NOTE: When a device is connected to the jack, the computer speakers are disabled.</p>
(2) 	<p>USB SuperSpeed port</p> <p>Connects a USB device, such as a cell phone, camera, activity tracker, or smartwatch, and provides high-speed data transfer.</p>
(3) 	<p>HDMI port</p> <p>Connects an optional video or audio device, such as a high-definition television, any compatible digital or audio component, or a high-speed High Definition Multimedia Interface (HDMI) device.</p>
(4) 	<p>RJ-45 (network) jack/status lights</p> <p>Connects a network cable.</p> <ul style="list-style-type: none"> • Green (left): The network is connected. • Amber (right): Activity is occurring on the network.
(5) 	<p>USB Type-C power connector port, SuperSpeed port, and DisplayPort connector</p> <p>Connects an AC adapter that has a USB Type-C connector, supplying power to the computer and, if needed, charging the computer battery.</p> <p>– and –</p>

Table 2-1 Right-side components and their descriptions (continued)

Component	Description
	<p>Connects a USB device that has a Type-C connector, such as a cell phone, camera, activity tracker, or smartwatch, and provides high-speed data transfer.</p> <p>– and –</p> <p>Connects a display device that has a USB Type-C connector, providing DisplayPort output.</p> <p>NOTE: Cables and/or adapters (purchased separately) may be required.</p>
(6) Battery light	<p>When AC power is connected:</p> <ul style="list-style-type: none">• White: The battery charge is greater than 90 percent.• Amber: The battery charge is from 0 to 90 percent.• Off: The battery is not charging. <p>When AC power is disconnected (battery not charging):</p> <ul style="list-style-type: none">• Blinking amber: The battery has reached a low battery level. When the battery has reached a critical battery level, the battery light begins blinking rapidly.• Off: The battery is not charging.
(7)  Power connector	Connects an AC adapter.

Left

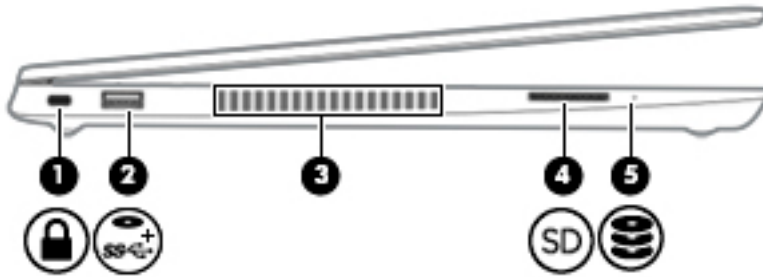

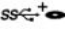






Table 2-2 Left-side components and their descriptions

Component	Description
(1) 	<p>Security cable slot</p> <p>Attaches an optional security cable to the computer.</p> <p>NOTE: The security cable is designed to act as a deterrent, but it may not prevent the computer from being mishandled or stolen.</p>
(2)  – or – 	<p>USB SuperSpeed powered port – or – USB powered port</p> <p>Connects and supplies power to a USB device, such as a cell phone, camera, activity tracker, optical drive, or smartwatch, and provides high-speed data transfer.</p>
(3)	<p>Vent</p> <p>Enables airflow to cool internal components.</p> <p>NOTE: The computer fan starts up automatically to cool internal components and prevent overheating. It is normal for the internal fan to cycle on and off during routine operation.</p>
(4) 	<p>Memory card reader</p> <p>Reads optional memory cards that store, manage, share, or access information.</p> <p>To insert a card:</p> <ol style="list-style-type: none"> 1. Hold the card label-side up, with the connectors facing the computer. 2. Insert the card into the memory card reader, and then press in on the card until it is firmly seated. <p>To remove a card:</p> <ul style="list-style-type: none"> ▲ Press in on the card, and then remove it from the memory card reader.
(5) 	<p>Drive light</p> <ul style="list-style-type: none"> • Blinking white: The hard drive is being accessed. • Amber: HP 3D DriveGuard has temporarily parked the hard drive.

Display

 **NOTE:** Refer to the illustration that most closely matches your computer.

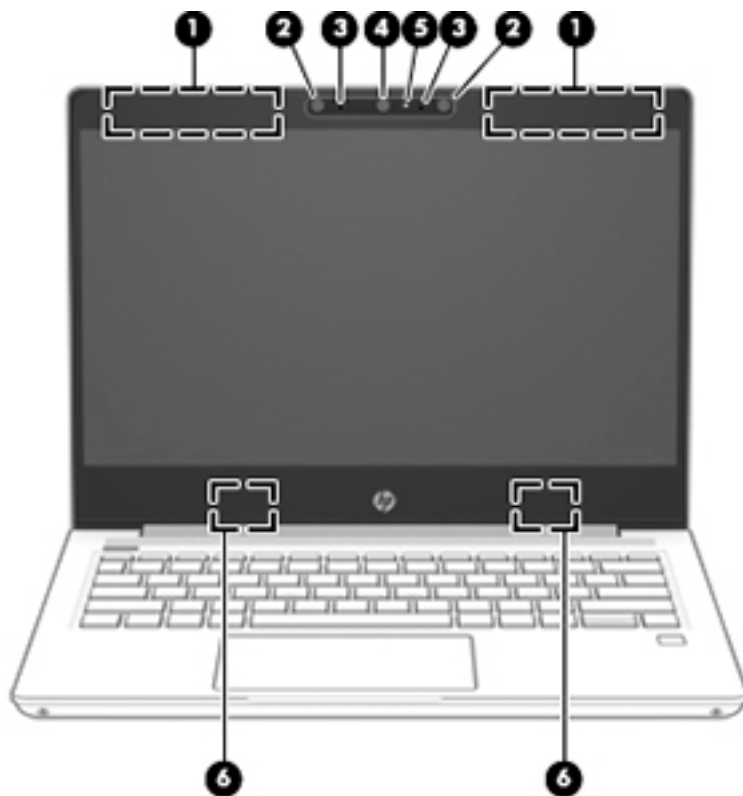


Table 2-3 Display components and their descriptions

Component	Description
(1) WWAN antennas* (select products only)	Send and receive wireless signals to communicate with wireless wide area networks (WWANs).
(2) IR camera light (select products only)	On: The IR camera is in use.
(3) Internal microphones (1 or 2 depending on model)	Record sound.
(4) Camera(s) (select products only)	Allow(s) you to video chat, record video, and record still images. Some cameras also allow a facial recognition logon to Windows, instead of a password logon. NOTE: Camera functions vary depending on the camera hardware and software installed on your product.
(5) Camera light (select products only)	On: One or more cameras are in use.
(6) WLAN antennas* (select products only)	Send and receive wireless signals to communicate with wireless local area networks (WLANs).

*The antennas are not visible from the outside of the computer. For optimal transmission, keep the areas immediately around the antennas free from obstructions.

For wireless regulatory notices, see the section of the *Regulatory, Safety, and Environmental Notices* that applies to your country or region.

To access this guide:

- ▲ Select the **Start** button, select **HP Help and Support**, and then select **HP Documentation**.

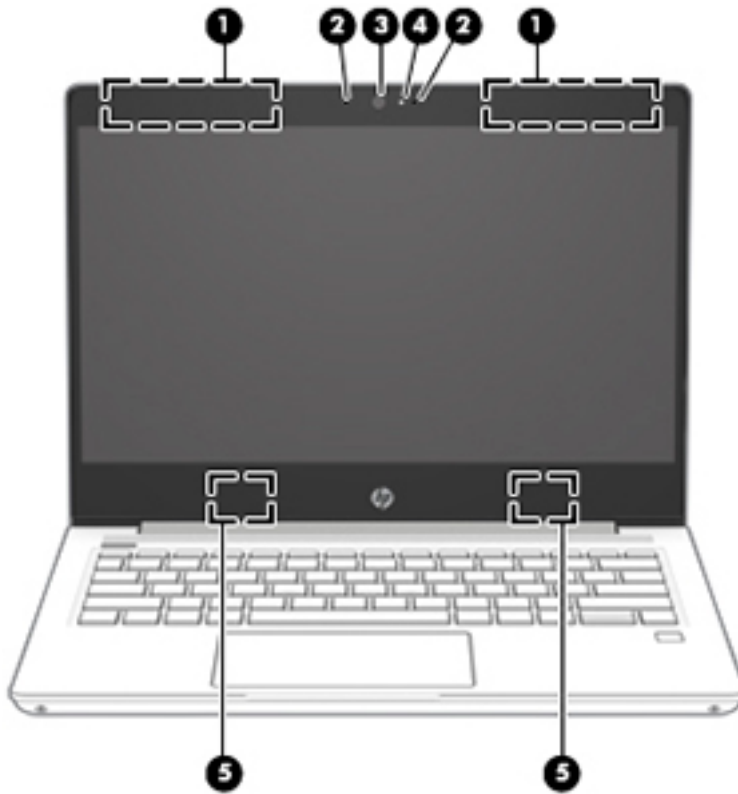


Table 2-4 Display components and their descriptions

Component	Description
(1) WWAN antennas* (select products only)	Send and receive wireless signals to communicate with wireless wide area networks (WWANs).
(2) Internal microphones (1 or 2 depending on model)	Record sound.
(3) Camera(s) (select products only)	Allow(s) you to video chat, record video, and record still images. Some cameras also allow a facial recognition logon to Windows, instead of a password logon. NOTE: Camera functions vary depending on the camera hardware and software installed on your product.
(4) Camera light (select products only)	On: One or more cameras are in use.
(5) WLAN antennas* (select products only)	Send and receive wireless signals to communicate with wireless local area networks (WLANs).

*The antennas are not visible from the outside of the computer. For optimal transmission, keep the areas immediately around the antennas free from obstructions.

For wireless regulatory notices, see the section of the *Regulatory, Safety, and Environmental Notices* that applies to your country or region.

To access this guide:

- ▲ Select the **Start** button, select **HP Help and Support**, and then select **HP Documentation**.

Keyboard area

TouchPad

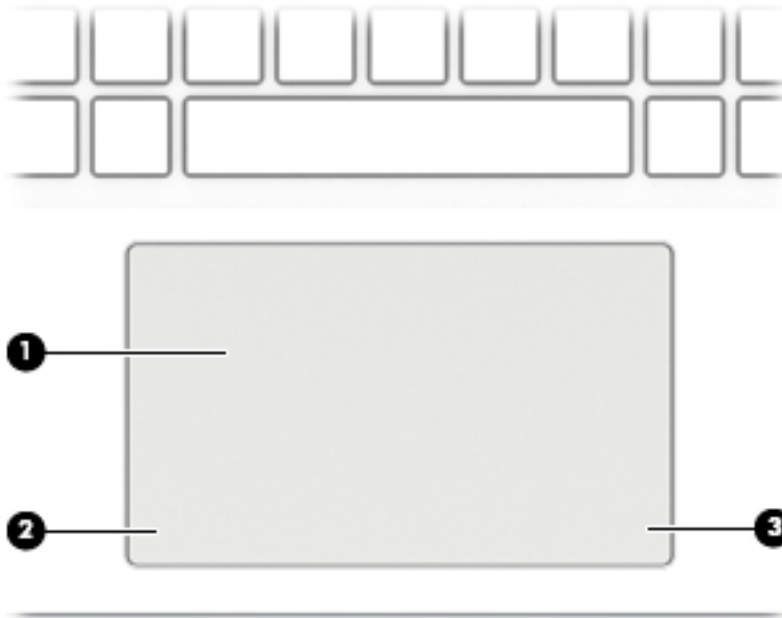


Table 2-5 TouchPad components and their descriptions

Component	Description
(1) TouchPad zone	Reads your finger gestures to move the pointer or activate items on the screen.
(2) Left TouchPad button	Functions like the left button on an external mouse.
(3) Right TouchPad button	Functions like the right button on an external mouse.

Lights

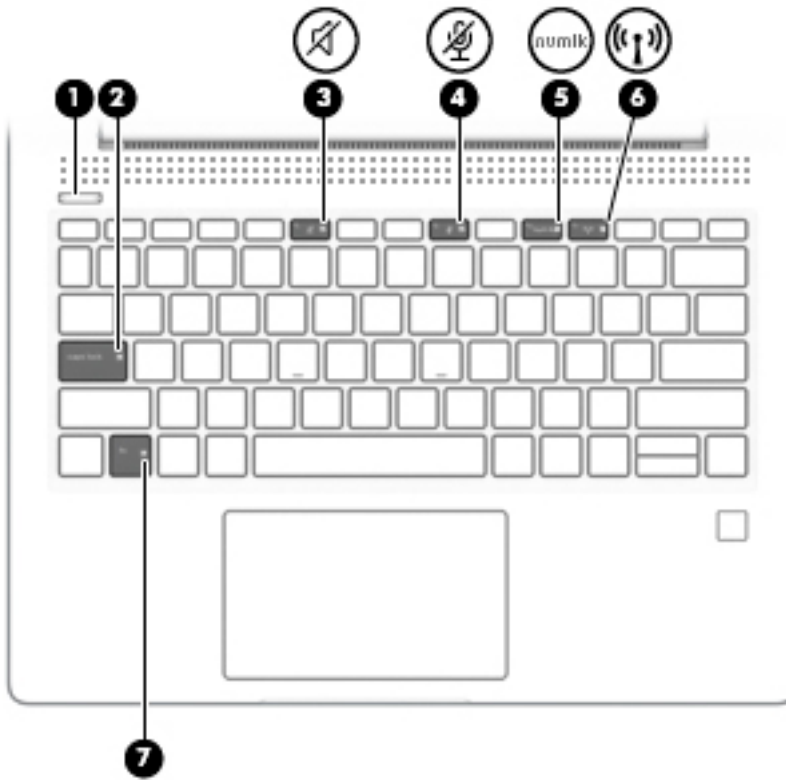



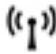


Table 2-6 Lights and their descriptions

Component	Description
(1)  Power light	<ul style="list-style-type: none"> On: The computer is on. Blinking: The computer is in the Sleep state, a power-saving state. The computer shuts off power to the display and other unneeded components. Off: The computer is off or in Hibernation. Hibernation is a power-saving state that uses the least amount of power.
(2) Caps lock light	On: Caps lock is on, which switches the key input to all capital letters.
(3)  Mute light	<ul style="list-style-type: none"> On: Computer sound is off. Off: Computer sound is on.
(4)  Microphone mute light	<ul style="list-style-type: none"> On: Microphone is off. Off: Microphone is on.
(5) num lk Num lk light	On: Num lock is on.
(6)  Wireless light	<p>On: An integrated wireless device, such as a wireless local area network (WLAN) device and/or a Bluetooth® device, is on.</p> <p>NOTE: On some models, the wireless light is amber when all wireless devices are off.</p>
(7) Fn lock light	On: The fn key is locked.

Button, speakers, and fingerprint sensor

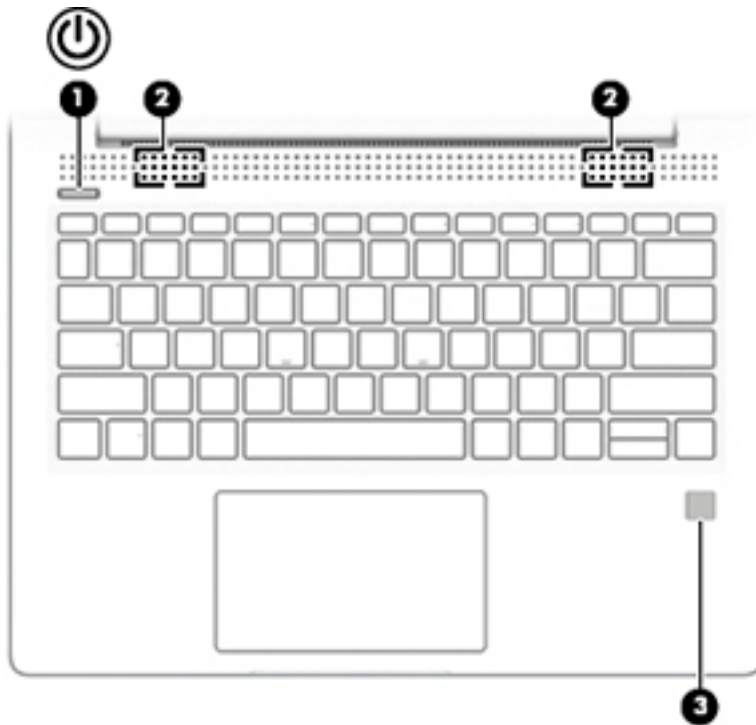




Table 2-7 Button, speakers, and fingerprint sensor and their descriptions

Component	Description
(1)  Power button	<ul style="list-style-type: none"> • When the computer is off, press the button to turn on the computer. • When the computer is on, press the button briefly to initiate Sleep. • When the computer is in the Sleep state, press the button briefly to exit Sleep (select products only). • When the computer is in Hibernation, press the button briefly to exit Hibernation. <p>CAUTION: Pressing and holding down the power button results in the loss of unsaved information.</p> <p>If the computer has stopped responding and shutdown procedures are ineffective, press and hold the power button for at least 5 seconds to turn off the computer.</p> <p>To learn more about your power settings, see your power options.</p> <p>▲ Right-click the Power meter icon  and then select Power Options.</p>
(2) Speakers (2)	Produce sound.
(3) Fingerprint sensor (select products only)	<p>Allows a fingerprint logon to Windows, instead of a password logon.</p> <p>▲ To use the fingerprint sensor, place your finger on the fingerprint sensor until it reads your fingerprint.</p>

Special keys

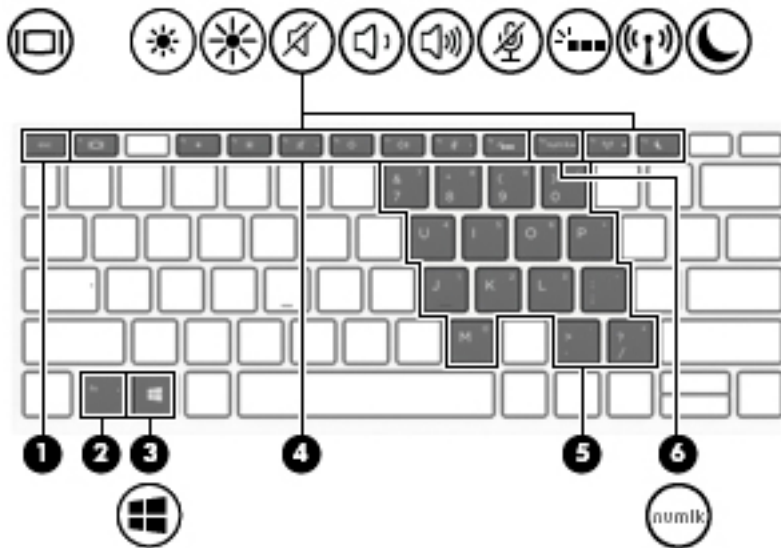



Table 2-8 Special keys and their descriptions

Component	Description
(1) <code>esc</code> key	Displays system information when pressed in combination with the <code>fn</code> key.
(2) <code>fn</code> key	Executes frequently used system functions when pressed in combination with another key. Such key combinations are called <i>hot keys</i> .
(3)  Windows key	Opens the Start menu. NOTE: Pressing the Windows key again will close the Start menu.
(4) Action keys	Execute frequently used system functions. See Action keys on page 16 .
(5) Embedded numeric keypad	A numeric keypad superimposed over the keyboard alphabet keys. When <code>fn+num lk</code> is pressed, the keypad can be used like an external numeric keypad. Each key on the keypad performs the function indicated by the icon in the upper-right corner of the key. NOTE: If the keypad function is active when the computer is turned off, that function is reinstated when the computer is turned back on.
(6) <code>num lk</code> key	Turns the embedded numeric keypad on and off when pressed in combination with the <code>fn</code> key. – or – Turns the embedded numeric keypad on and off.

Action keys

An action key performs the function indicated by the icon on the key. To determine which keys are on your product, see [Special keys on page 15](#).

- ▲ To use an action key, press and hold the key.

Table 2-9 Action keys and their descriptions









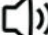











Icon	Description
	Decreases the screen brightness incrementally as long as you hold down the key.
	Increases the screen brightness incrementally as long as you hold down the key.
	Turns the keyboard backlight off or on. NOTE: To conserve battery power, turn off this feature.
	Plays the previous track of an audio CD or the previous section of a DVD or a Blu-ray Disc (BD).
	Starts, pauses, or resumes playback of an audio CD, a DVD, or a BD.
	Plays the next track of an audio CD or the next section of a DVD or a BD.
	Stops audio or video playback of a CD, a DVD, or a BD.
	Decreases speaker volume incrementally while you hold down the key.
	Increases speaker volume incrementally while you hold down the key.
	Mutes the microphone.
	Mutes or restores speaker sound.
	Turns the wireless feature on or off. NOTE: A wireless network must be set up before a wireless connection is possible.
	Turns the TouchPad and TouchPad light on and off.
	Switches the screen image among display devices connected to the system. For example, if a monitor is connected to the computer, repeatedly pressing the key alternates the screen image from computer display to monitor display to simultaneous display on both the computer and the monitor.

Table 2-9 Action keys and their descriptions (continued)

Icon	Description
	Initiates Sleep, which saves your information in system memory. The display and other system components turn off and power is conserved. To exit Sleep, briefly press the power button. CAUTION: To reduce the risk of information loss, save your work before initiating Sleep.
	Provides quick access to your Skype for Business calendar. NOTE: This feature requires Skype® for Business or Lync® 2013 running on Microsoft Exchange or Office 365® servers.
	Turns the screen sharing function on or off. NOTE: This feature requires Skype for Business or Lync 2013 running on Microsoft Exchange or Office 365 servers.
	<ul style="list-style-type: none">• Answers a call.• Starts a call during a 1-on-1 chat.• Places a call on hold. NOTE: This feature requires Skype for Business or Lync 2013 running on Microsoft Exchange or Office 365 servers.
	<ul style="list-style-type: none">• Ends a call.• Declines incoming calls.• Ends screen sharing. NOTE: This feature requires Skype for Business or Lync 2013 running on Microsoft Exchange or Office 365 servers.

 **NOTE:** The action key feature is enabled at the factory. You can disable this feature by pressing and holding the **fn** key and the left **shift** key. The **fn** lock light will turn on. After you have disabled the action key feature, you can still perform each function by pressing the **fn** key in combination with the appropriate action key.

Hot keys (select products only)

A hot key is the combination of the **fn** key and another key.

To use a hot key:

- ▲ Press the **fn** key, and then press one of the keys listed in the following table.

Table 2-10 Hot keys and their descriptions

Key	Description
C	Turns on scroll lock.
E	Turns on the insert function.
R	Breaks the operation.
S	Sends a programming query.
W	Pauses the operation.

Bottom

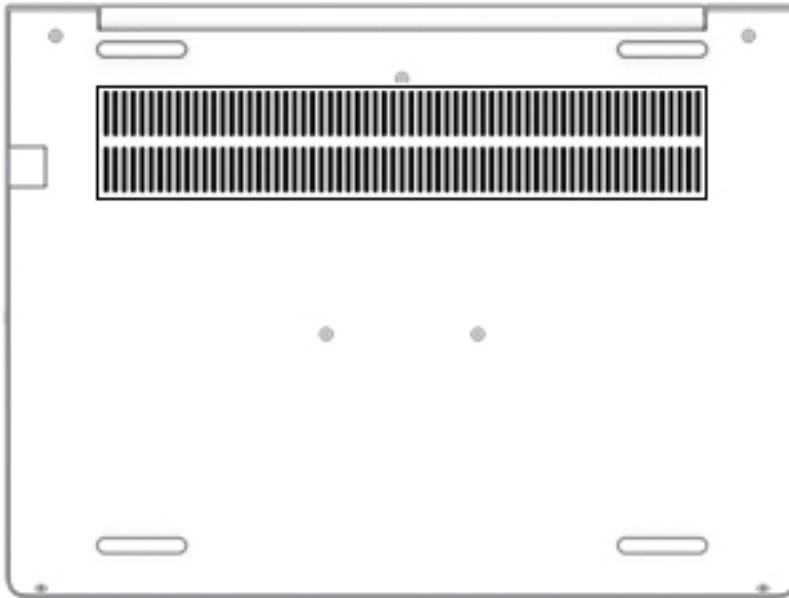


Table 2-11 Bottom components and their descriptions

Component	Description
Vent	Enables airflow to cool internal components. NOTE: The computer fan starts up automatically to cool internal components and prevent overheating. It is normal for the internal fan to cycle on and off during routine operation.

Labels

The labels affixed to the computer provide information you may need when you troubleshoot system problems or travel internationally with the computer. Labels may be in paper form or imprinted on the product.

IMPORTANT: Check the following locations for the labels described in this section: the bottom of the computer, inside the battery bay, under the service door, on the back of the display, or on the bottom of a tablet kickstand.

- Service label—Provides important information to identify your computer. When contacting support, you may be asked for the serial number, the product number, or the model number. Locate this information before you contact support.

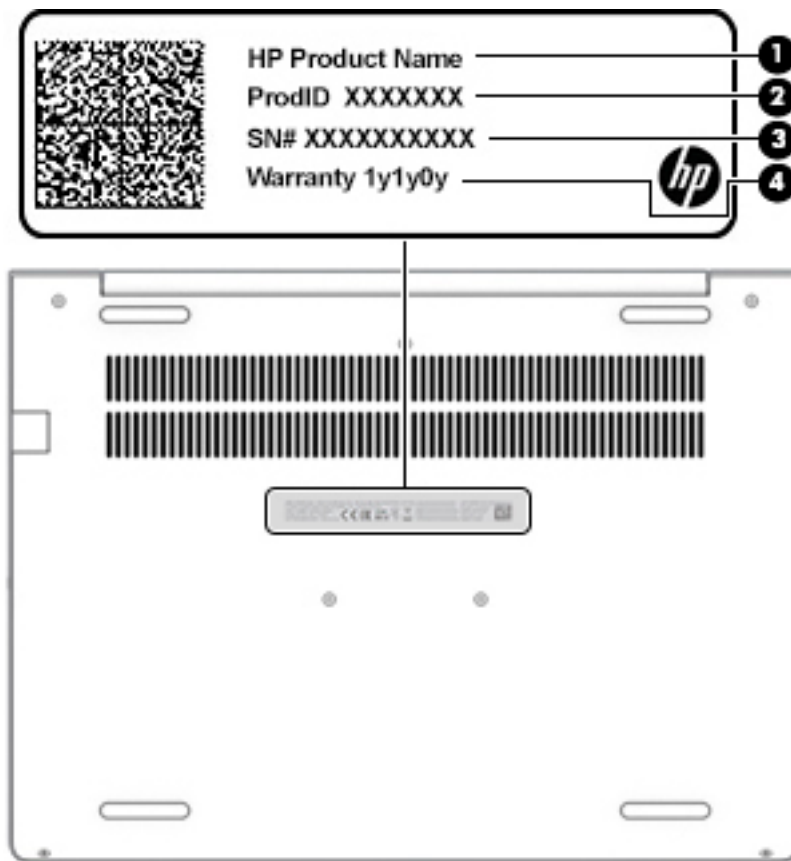


Table 2-12 Service label components


Component
(1) HP product name
(2) Product ID
(3) Serial number
(4) Warranty period

- Regulatory label(s)—Provide(s) regulatory information about the computer.
- Wireless certification label(s)—Provide(s) information about optional wireless devices and the approval markings for the countries or regions in which the devices have been approved for use.

3 Illustrated parts catalog

Computer major components

 **NOTE:** HP continually improves and changes product parts. For complete and current information on supported parts for your computer, go to <http://partsurfer.hp.com>, select your country or region, and then follow the on-screen instructions.

 **NOTE:** Details about your computer, including model, serial number, product key, and length of warranty, are on the service tag at the bottom of your computer. See [Labels on page 19](#) for details.

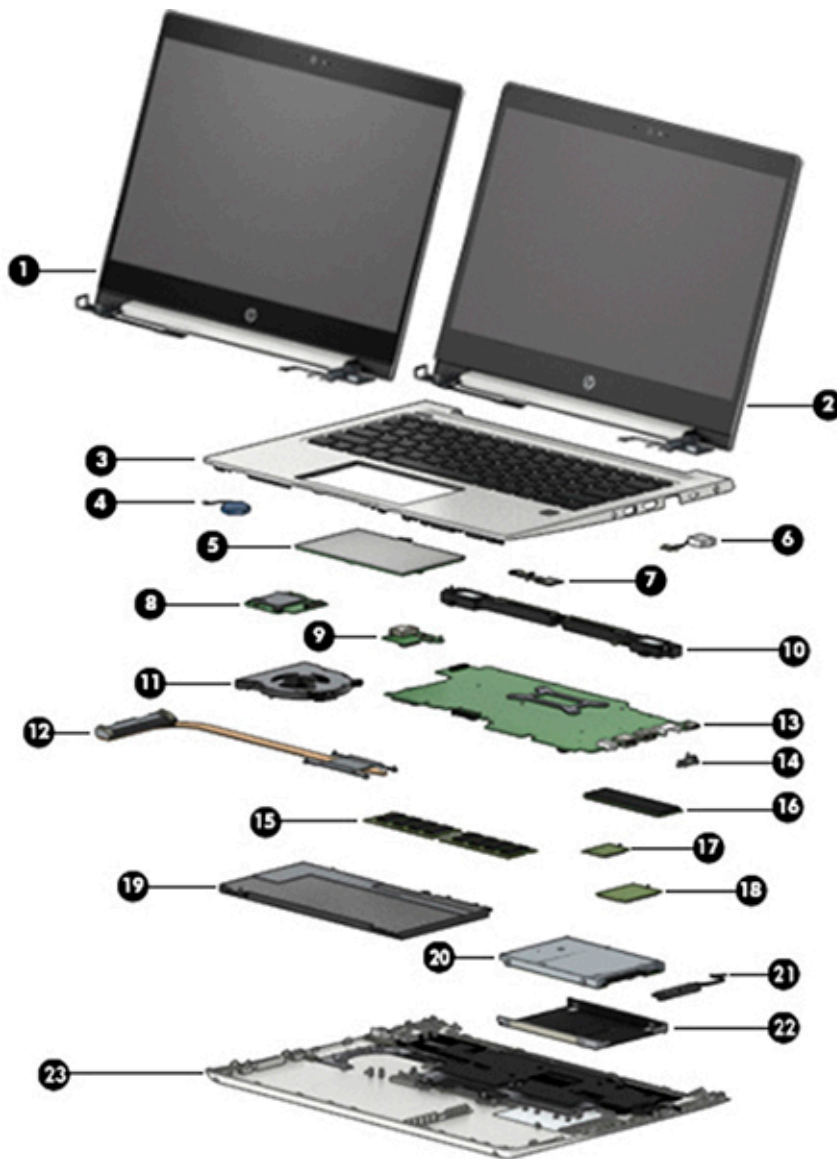


Table 3-1 Computer major components and their descriptions

Item	Description	Spare part number
	Display panel assembly	
	NOTE: Display panels are not spared as a whole assembly. They are only spared at a subcomponent level.	
(1)	Touch	not spared
(2)	Non-touch	not spared
(3)	Top cover/keyboard (includes cable)	
	NOTE: For a detailed list of keyboard country codes, see Keyboard/top cover on page 81 .	
	No backlight	L44548-xxx
	Backlit	L44547-xxx
(4)	RTC battery	L02772-001
(5)	TouchPad (includes cable)	L44538-001
(6)	Power connector cable	L01048-001
(7)	Fingerprint sensor assembly	L44516-001
	NOTE: The fingerprint sensor cable is available in the Cable Kit using spare part number L44509-001.	
(8)	Card reader board (includes cable)	L44537-001
	NOTE: The card reader board cable is also available in the Cable Kit using spare part number L44509-001.	
(9)	Power/USB board	L44536-001
	NOTE: The power/USB board cable is available in the Cable Kit using spare part number L44509-001.	
(10)	Speaker assembly	L44513-001
(11)	Fan	L44514-001
(12)	Heat sink (includes replacement thermal material)	L44512-001
(13)	System board (includes integrated processor and replacement thermal material)	
	All system boards use the following part numbers:	
	xxxxxx-001: Non-Windows operating system	
	xxxxxx-601: Windows 10 operating system	
	Intel Core i7-8565U processor	L44507-xxx
	Intel Core i5-8365U processor	L44506-xxx
	Intel Core i5-8265U processor (for use in models with WWAN)	L44505-xxx
	Intel Core i5-8265U processor	L44504-xxx
	Intel Core i3-8145U processor (for use in models with WWAN)	L44503-xxx
	Intel Core i3-8145U processor	L44502-xxx
	Intel Pentium 5405U processor	L44508-xxx
	Intel Celeron 4255U processor	L44501-xxx

Table 3-1 Computer major components and their descriptions (continued)

Item	Description	Spare part number
(14)	USB bracket	L44545-001
	NOTE: The USB bracket is included in the Bracket Kit.	
(15)	Memory modules (DDR4-2400)	
	16 GB	865396-850
	8 GB	862398-850
	4 GB	862397-850
(16)	M.2 solid-state drive	
	512 GB, PCIe, TLC	L44529-001
	256 GB, PCIe	L44528-001
	256 GB, SATA-3, TLC	L44527-001
	128 GB, SATA-3, TLC	L46736-001
	16 GB, PCIe (Optane memory module)	L44526-001
(17)	WLAN module	
	Intel Dual Band Wireless-AC 9560 802.11ac 2 × 2 Wi-Fi + Bluetooth 5.0 Combo Adaptor (non-vPro)	L22634-001
	Realtek RTL8822BE 802.11AC 2 × 2 Wi-Fi + Bluetooth 4.2 combination adapter	915623-001
(18)	WWAN module	
	Intel XMM 7360 LTE-Advanced	L15398-001
	Intel XMM 7262 LTE-Advanced (Cat6)	L35286-001
(19)	Battery	L32656-002
(20)	Hard drive	
	1 TB, 5400 rpm, 7 mm	762990-001
	500 GB, 7200 rpm, 7 mm	703267-001
	Hard Drive Hardware Kit, includes:	L44510-001
(21)	Hard drive cable	
(22)	Hard drive cover	
(23)	Bottom cover	L44515-001

Display components, non-touch models

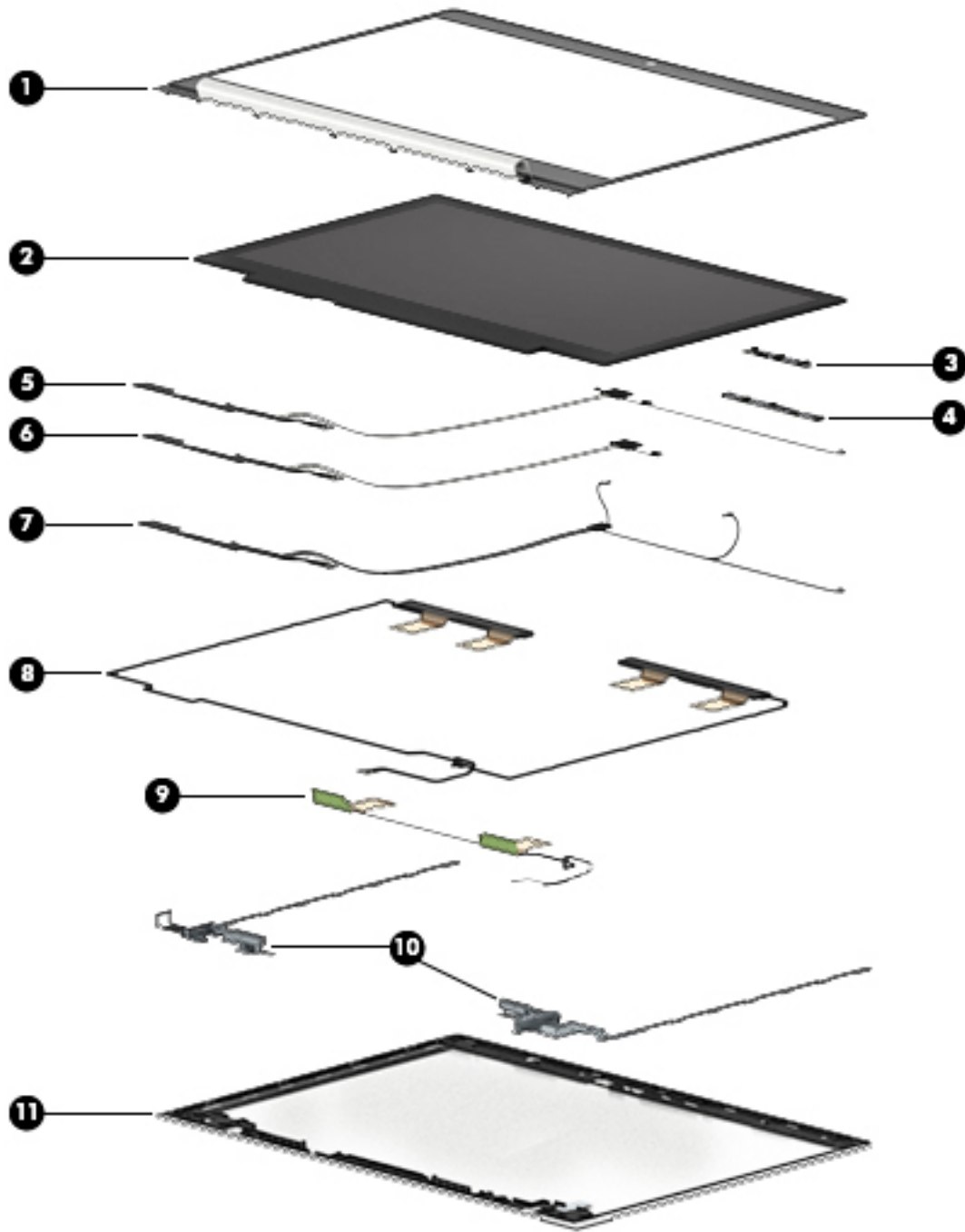


Table 3-2 Display components and their descriptions

Item	Description	Spare part number
(1)	Display bezel	
	Models without a camera	L44520-001
	Models with an HD camera	L44518-001

Table 3-2 Display components and their descriptions (continued)

Item	Description	Spare part number
	Models with an HD+IR camera	L44519-001
(2)	Display panel (raw)	
	FHD models	L44530-001
	HD models	L44534-001
	Camera module	
(3)	HD camera	L44539-001
(4)	HD+IR camera	L44540-001
	Microphone board (not illustrated)	L44541-001
(5)	Display/camera cable assembly (models with WWAN)	L44523-001
(6)	Display/camera cable assembly (models with an HD camera)	L44521-001
(7)	Display/camera cable assembly (models with an HD+IR camera)	L44522-001
(8)	WWAN antennas	L44544-001
(9)	WLAN antennas (dual antenna)	L44543-001
(10)	Hinge Kit (includes left and right hinges)	L44524-001
(11)	Display rear cover (includes wireless antennas)	
	Models with an HD webcam	L44517-001
	Models with an IR webcam	L52693-001

Display components, touch models

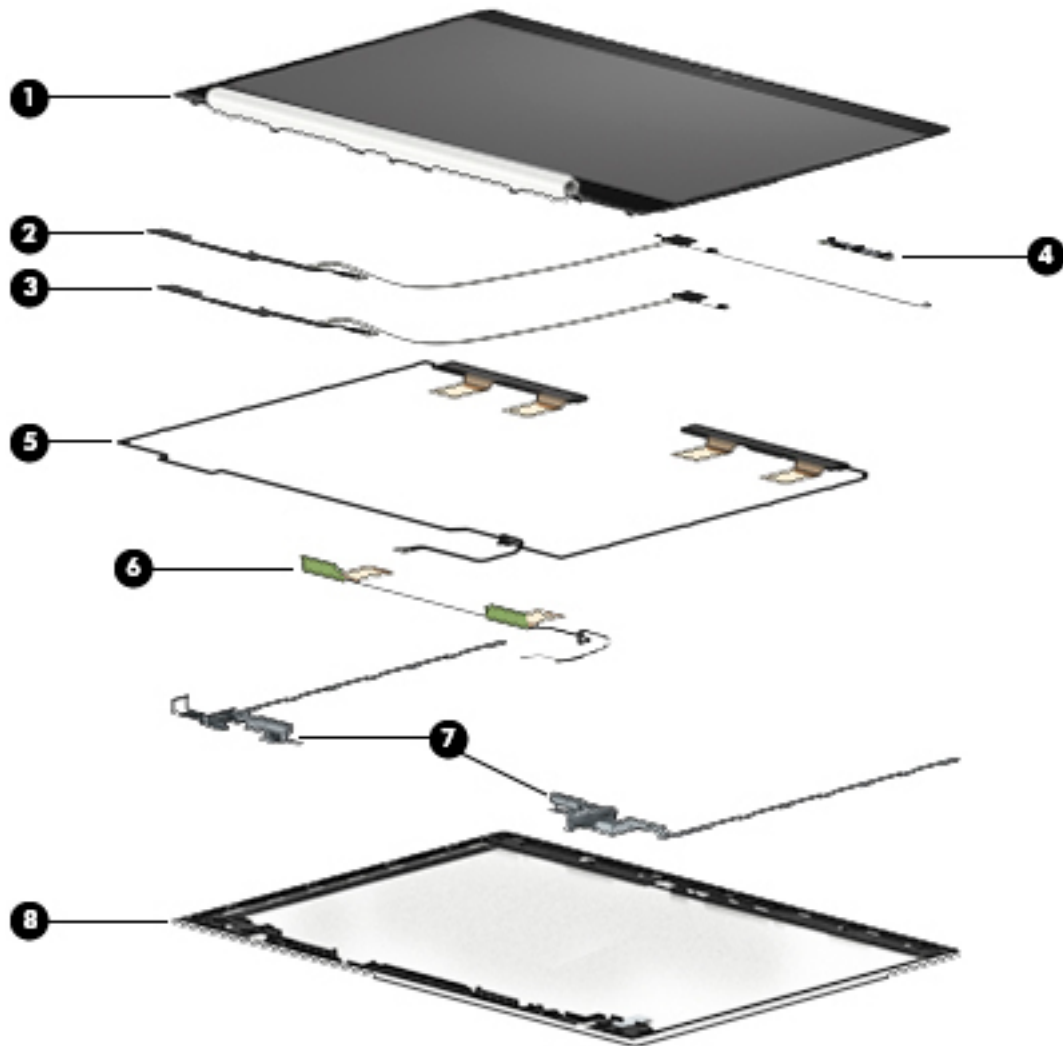


Table 3-3 Display components and their descriptions

Item	Description	Spare part number
(1)	Display panel	
	FHD	L44546-001
	HD	L48455-001
(2)	Display/camera cable assembly (models with WWAN)	L45784-001
(3)	Display/camera cable assembly (models without WWAN)	L45783-001
(4)	Camera module	L44539-001
	Microphone board (not illustrated)	L44541-001
(5)	WWAN antennas	L45788-001
(6)	WLAN antennas (dual antenna)	L45787-001

Table 3-3 Display components and their descriptions (continued)

Item	Description	Spare part number
(7)	Hinge Kit (includes left and right hinges)	L45785-001
(8)	Display rear cover (includes wireless antennas)	L45782-001

Cable Kit

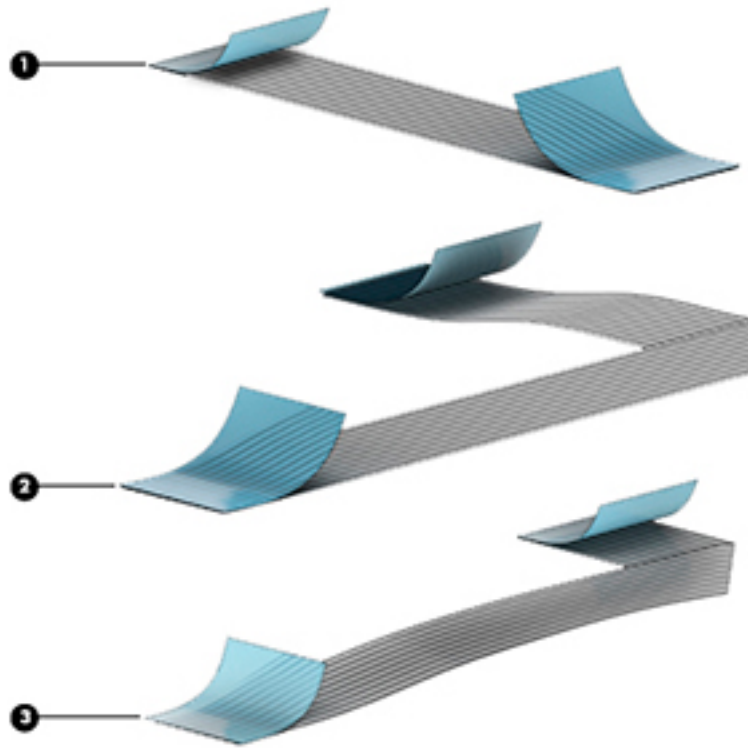


Table 3-4 Cable Kit components and their descriptions

Item	Description	Spare part number
	Cable Kit , includes the following parts:	L44509-001
(1)	Power/USB board cable	
(2)	Card reader board cable	
(3)	Fingerprint sensor cable	

Bracket Kit

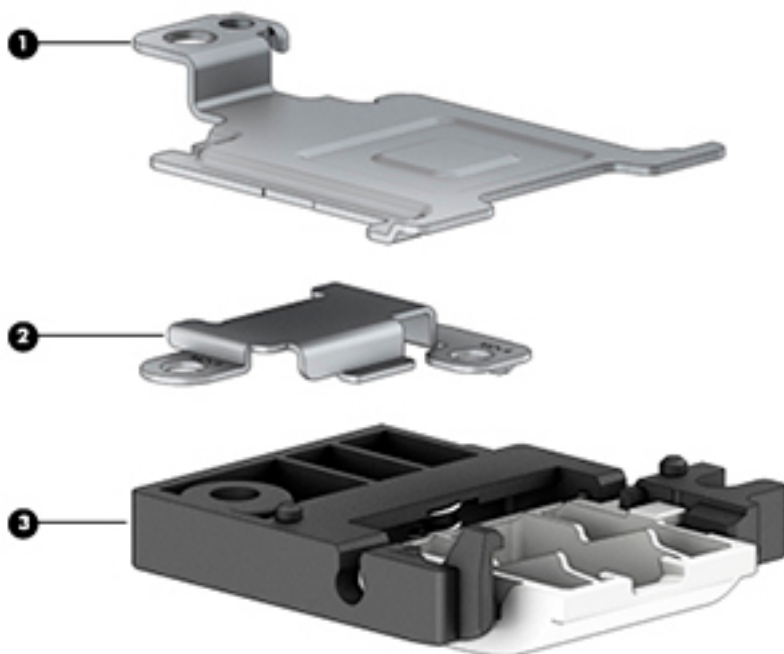


Table 3-5 Bracket Kit components and their descriptions

Item	Description	Spare part number
	Bracket Kit , includes the following parts:	L44545-001
(1)	Fingerprint sensor bracket	
(2)	USB Type-C port bracket	
(3)	RJ-45 bracket	

Mass storage devices



Table 3-6 Mass storage device components and their descriptions

Item	Description	Spare part number
(1)	Solid-state drive, M.2	
	512 GB, PCIe, TLC	L44529-001
	256 GB, PCIe	L44528-001
	256 GB, SATA-3, TLC	L44527-001
	128 GB, SATA-3, TLC	L46736-001
	16 GB, PCIe (Optane memory module)	L44526-001
(2)	Hard drive	
	1 TB, 5400 rpm, 7 mm	762990-001
	500 GB, 7200 rpm, 7 mm	703267-001
	Hard Drive Hardware Kit , includes the following parts:	L44510-001
(3)	Hard drive cover	
(4)	Hard drive cable	

Miscellaneous parts

Table 3-7 Miscellaneous parts and their descriptions

Description	Spare part number
AC adapters	
65-W Smart AC power adapter, 4.5 mm barrel connector, S-3P, EM	913691-850
65 W Smart AC power adapter, 4.5 mm barrel connector, S-3P, nPFC	710412-001
65 W, USB Type-C, wall mount, nPFC, 1.8 m	L32392-001
45-W Smart AC power adapter, 4.5 mm barrel connector	741727-001
45-W Smart AC power adapter, 4.5 mm barrel connector, 2 prong	742436-001
45 W, USB Type-C, wall mount, nPFC, 1.8 m	L32390-001
Plastics Kit (includes fingerprint sensor insert, IR and HD camera sponges, display enclosure adhesive [right and left], and display enclosure gaskets [right and left])	L44511-001
Screw Kit	L44525-001
Power cord (3-pin, C5, black, conventional, 1.0-m), for use in:	
Argentina	L19357-001
Australia	923430-001
Brazil	L19359-001
Denmark	L19360-001
Europe (Austria, Belgium, Finland, France, Germany, the Netherlands, Norway and Sweden)	L19361-001
India	L19363-001
Israel	L19362-001
Italy	923430-007
Japan	L19365-001
North America	923430-008
People's Republic of China	931251-001
South Africa	L19369-001
South Korea	L19366-001
Switzerland	L19370-001
Taiwan	L19372-001
Thailand	L19371-001
United Kingdom and Singapore	923430-013
Power cord (3-pin, C5, black, conventional, 1.8-m), for use in:	
Europe (Austria, Belgium, Finland, France, Germany, the Netherlands, Norway and Sweden)	L19361-002
North America	L19367-002
The People's Republic of China	L19368-002

Table 3-7 Miscellaneous parts and their descriptions (continued)

Description	Spare part number
South Africa	L19369-002
Taiwan	L19372-002
Thailand	L19371-002
United Kingdom and Singapore	L19373-002
Power cord (C7, black, 1.00-m), for use in:	
Japan	L19375-001
Power cord (3-pin, C5NS, black, duckhead, 1.0-m), for use in:	
Australia	L36816-001
Denmark	L36817-001
Europe (Austria, Belgium, Finland, France, Germany, the Netherlands, Norway and Sweden)	L36818-001
Israel	L36819-001
Japan	L36821-001
North America	L36822-001
The People's Republic of China	L36823-001
South Africa	L36824-001
Switzerland	L36825-001
Thailand	L36826-001
Taiwan	L36827-001
United Kingdom	L36828-001
Italy	L44788-001
Brazil	L44789-001
Power cord (3-pin, C5NS, black, duckhead, 1.8-m), for use in:	
Australia	L45264-001
Europe (Austria, Belgium, Finland, France, Germany, the Netherlands, Norway and Sweden)	L45265-001
Israel	L45266-001
Italy	L45267-001
Japan	L45268-001
North America	L45269-001
The People's Republic of China	L45270-001
United Kingdom	L45275-001
Power cord (3-pin, C5NS, black, duckhead, 1.8-m), for use in:	
Brazil	L48055-001

4 Removal and replacement procedures preliminary requirements


Tools required

You will need the following tools to complete the removal and replacement procedures:

- Tweezer
- Non-conductive, non-marking plastic tool
- Magnetic Phillips P1 screwdriver
- Magnetic Torx T8 screwdriver

Service considerations


The following sections include some of the considerations that you must keep in mind during disassembly and assembly procedures.

 **NOTE:** As you remove each subassembly from the computer, place the subassembly (and all accompanying screws) away from the work area to prevent damage.

Plastic parts

 **CAUTION:** Using excessive force during disassembly and reassembly can damage plastic parts.

Cables and connectors

 **CAUTION:** When servicing the computer, be sure that cables are placed in their proper locations during the reassembly process. Improper cable placement can damage the computer.

Cables must be handled with extreme care to avoid damage. Apply only the tension required to unseat or seat the cables during removal and insertion. Handle cables by the connector whenever possible. In all cases, avoid bending, twisting, or tearing cables. Be sure that cables are routed in such a way that they cannot be caught or snagged by parts being removed or replaced. Handle flex cables with extreme care; these cables tear easily.

Drive handling

⚠ CAUTION: Drives are fragile components that must be handled with care. To prevent damage to the computer, damage to a drive, or loss of information, observe these precautions:

Before removing or inserting a hard drive, shut down the computer. If you are unsure whether the computer is off or in Hibernation, turn the computer on, and then shut it down through the operating system.

Before handling a drive, be sure that you are discharged of static electricity. While handling a drive, avoid touching the connector.

Before removing an optical drive, be sure that a disc is not in the drive and be sure that the optical drive tray is closed.

Handle drives on surfaces covered with at least one inch of shock-proof foam.

Avoid dropping drives from any height onto any surface.

After removing a hard drive or an optical drive, place it in a static-proof bag.

Avoid exposing an internal hard drive to products that have magnetic fields, such as monitors or speakers.

Avoid exposing a drive to temperature extremes or liquids.

If a drive must be mailed, place the drive in a bubble pack mailer or other suitable form of protective packaging and label the package “FRAGILE.”

Workstation guidelines

Follow these grounding workstation guidelines:

- Cover the workstation with approved static-shielding material.
- Use a wrist strap connected to a properly grounded work surface and use properly grounded tools and equipment.
- Use conductive field service tools, such as cutters, screw drivers, and vacuums.
- When fixtures must directly contact dissipative surfaces, use fixtures made only of static-safe materials.
- Keep the work area free of nonconductive materials, such as ordinary plastic assembly aids and Styrofoam.
- Handle ESD-sensitive components, parts, and assemblies by the case or PCM laminate. Handle these items only at static-free workstations.
- Avoid contact with pins, leads, or circuitry.
- Turn off power and input signals before inserting or removing connectors or test equipment.

Electrostatic discharge information

A sudden discharge of static electricity from your finger or other conductor can destroy static-sensitive devices or microcircuitry. Often the spark is neither felt nor heard, but damage occurs. An electronic device exposed to electrostatic discharge (ESD) may not appear to be affected at all and can work perfectly throughout a normal cycle. The device may function normally for a while, but it has been degraded in the internal layers, reducing its life expectancy.

Networks built into many integrated circuits provide some protection, but in many cases, the discharge contains enough power to alter device parameters or melt silicon junctions.



IMPORTANT: To prevent damage to the device when you are removing or installing internal components, observe these precautions:

Keep components in their electrostatic-safe containers until you are ready to install them.

Before touching an electronic component, discharge static electricity by using the guidelines described in this section.

Avoid touching pins, leads, and circuitry. Handle electronic components as little as possible.

If you remove a component, place it in an electrostatic-safe container.

Generating static electricity

Note the following:

- Different activities generate different amounts of static electricity.
- Static electricity increases as humidity decreases.

Table 4-1 Static electricity occurrence based on activity and humidity

Event	Relative humidity		
	55%	40%	10%
Walking across carpet	7,500 V	15,000 V	35,000 V
Walking across vinyl floor	3,000 V	5,000 V	12,000 V
Motions of bench worker	400 V	800 V	6,000 V
Removing DIPs from plastic tube	400 V	700 V	2,000 V
Removing DIPs from vinyl tray	2,000 V	4,000 V	11,500 V
Removing DIPs from Styrofoam	3,500 V	5,000 V	14,500 V
Removing bubble pack from PCB	7,000 V	20,000 V	26,500 V
Packing PCBs in foam-lined box	5,000 V	11,000 V	21,000 V

Electronic components are then multi-packaged inside plastic tubes, trays, or Styrofoam.



NOTE: As little as 700 volts can degrade a product.

Preventing electrostatic damage to equipment

Many electronic components are sensitive to ESD. Circuitry design and structure determine the degree of sensitivity. The following packaging and grounding precautions are necessary to prevent static electricity damage to electronic components.

- To avoid hand contact, transport products in static-safe containers such as tubes, bags, or boxes.
- Protect all electrostatic parts and assemblies with conductive or approved containers or packaging.
- Keep electrostatic-sensitive parts in their containers until they arrive at static-free stations.
- Place items on a grounded surface before removing them from their container.
- Always be properly grounded when touching a sensitive component or assembly.

- Avoid contact with pins, leads, or circuitry.
- Place reusable electrostatic-sensitive parts from assemblies in protective packaging or conductive foam.

Personal grounding methods and equipment

Use the following equipment to prevent static electricity damage to electronic components:

- **Wrist straps** are flexible straps with a maximum of one-megohm \pm 10% resistance in the ground cords. To provide proper ground, a strap must be worn snug against bare skin. The ground cord must be connected and fit snugly into the banana plug connector on the grounding mat or workstation.
- **Heel straps/Toe straps/Boot straps** can be used at standing workstations and are compatible with most types of shoes or boots. On conductive floors or dissipative floor mats, use them on both feet with a maximum of one-megohm \pm 10% resistance between the operator and ground.

Table 4-2 Static shielding protection levels

Static shielding protection levels	
Method	Voltage
Antistatic plastic	1,500
Carbon-loaded plastic	7,500
Metallized laminate	15,000

Grounding the work area

To prevent static damage at the work area, use the following precautions:

- Cover the work surface with approved static-dissipative material. Provide a wrist strap connected to the work surface and properly grounded tools and equipment.
- Use static-dissipative mats, foot straps, or air ionizers to give added protection.
- Handle electrostatic sensitive components, parts, and assemblies by the case or PCB laminate. Handle them only at static-free work areas.
- Turn off power and input signals before inserting and removing connectors or test equipment.
- Use fixtures made of static-safe materials when fixtures must directly contact dissipative surfaces.
- Keep work area free of nonconductive materials such as ordinary plastic assembly aids and Styrofoam.
- Use field service tools, such as cutters, screwdrivers, and vacuums, that are conductive.

Recommended materials and equipment

Materials and equipment that are recommended for use in preventing static electricity include:

- Antistatic tape
- Antistatic smocks, aprons, or sleeve protectors
- Conductive bins and other assembly or soldering aids
- Conductive foam
- Conductive tabletop workstations with ground cord of one-megohm \pm 10% resistance
- Static-dissipative table or floor mats with hard tie to ground


- Field service kits
- Static awareness labels
- Wrist straps and footwear straps providing one-megohm +/- 10% resistance
- Material handling packages
- Conductive plastic bags
- Conductive plastic tubes
- Conductive tote boxes
- Opaque shielding bags
- Transparent metallized shielding bags
- Transparent shielding tubes

Packaging and transporting guidelines

Follow these grounding guidelines when packaging and transporting equipment:

- To avoid hand contact, transport products in static-safe tubes, bags, or boxes.
- Protect ESD-sensitive parts and assemblies with conductive or approved containers or packaging.
- Keep ESD-sensitive parts in their containers until the parts arrive at static-free workstations.
- Place items on a grounded surface before removing items from their containers.
- Always be properly grounded when touching a component or assembly.
- Store reusable ESD-sensitive parts from assemblies in protective packaging or nonconductive foam.
- Use transporters and conveyors made of antistatic belts and roller bushings. Be sure that mechanized equipment used for moving materials is wired to ground and that proper materials are selected to avoid static charging. When grounding is not possible, use an ionizer to dissipate electric charges.


5 Removal and replacement procedures for Customer Self-Repair parts

 **CAUTION:** The Customer Self-Repair program is not available in all locations. Installing a part not supported by the Customer Self-Repair program may void your warranty. Check your warranty to determine if Customer Self-Repair is supported in your location.

 **NOTE:** HP continually improves and changes product parts. For complete and current information on supported parts for your computer, go to <http://partsurfer.hp.com>, select your country or region, and then follow the on-screen instructions.

Component replacement procedures

 **NOTE:** Please read and follow the procedures described here to access and replace Customer Self-Repair parts successfully.

 **NOTE:** Details about your computer, including model, serial number, product key, and length of warranty, are on the service tag at the bottom of your computer. See [Labels on page 19](#) for details.

This chapter provides removal and replacement procedures for Customer Self-Repair parts.

There are as many as 18 screws that must be removed, replaced, or loosened when servicing Customer Self-Repair parts. Make special note of each screw size and location during removal and replacement.

Preparation for disassembly

See [Removal and replacement procedures preliminary requirements on page 31](#) for initial safety procedures.

1. Turn off the computer. If you are unsure whether the computer is off or in Hibernation, turn the computer on, and then shut it down through the operating system.
2. Disconnect the power from the computer by unplugging the power cord from the computer.
3. Disconnect all external devices from the computer

Battery Safe mode

Before removing internal components, you must place the computer in “Battery Safe mode.” This mode avoids short-circuits or system malfunction by removing power from internal components.

To place the computer in “Battery Safe mode,” follow these steps:

1. With the computer turned off and AC adapter connected, press the following key and button combination: **Windows key + Backspace key + Power button**.
2. Turn the computer on to initiate “Battery Safe mode.”
3. After the computer powers off, disconnect the AC adapter.

In “Battery Safe mode,” the power button will not turn the computer on if the AC adapter is not connected.

To disengage “Battery Safe mode,” plug in the AC adapter and press the power button.

Bottom cover

Table 5-1 Spare part description and number

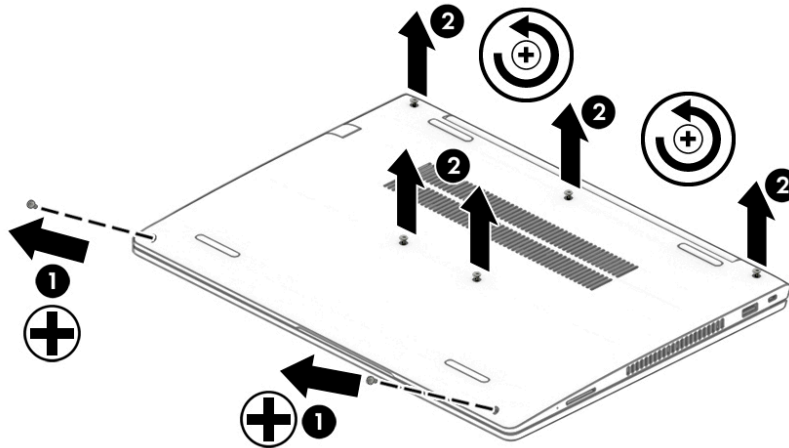
Description	Spare part number
Bottom cover	L44515-001

Before removing the bottom cover, follow these steps:

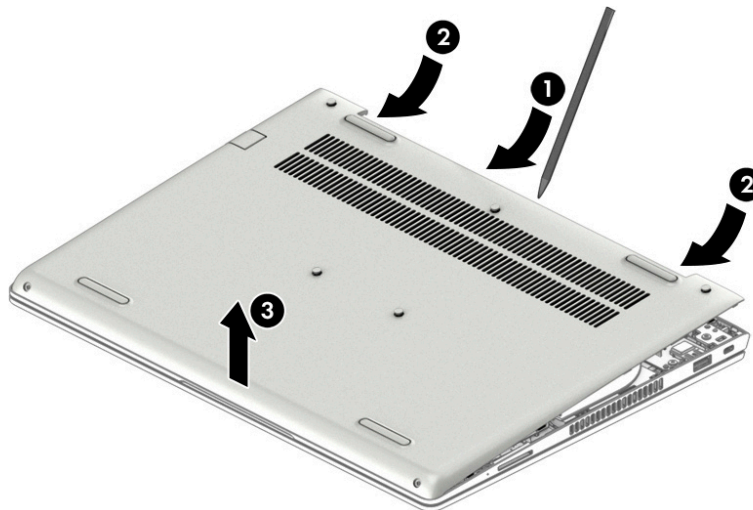
1. Prepare the computer for disassembly ([Preparation for disassembly on page 36](#)).
2. Place the computer in “Battery Safe mode” ([Battery Safe mode on page 36](#)).

Remove the bottom cover:

1. Remove the two Phillips M2.0×5.0 screws (1) that secure the bottom cover to the computer.
2. Loosen the five captive Phillips screws (2).



3. Starting under the display, use a non-conductive, non-marking tool to pry the cover up (1), lift the rear of the cover to disengage it from the computer (2), and then remove the bottom cover from the computer (3).



Reverse these procedures to install the bottom cover.

Battery

Table 5-2 Spare part description and number

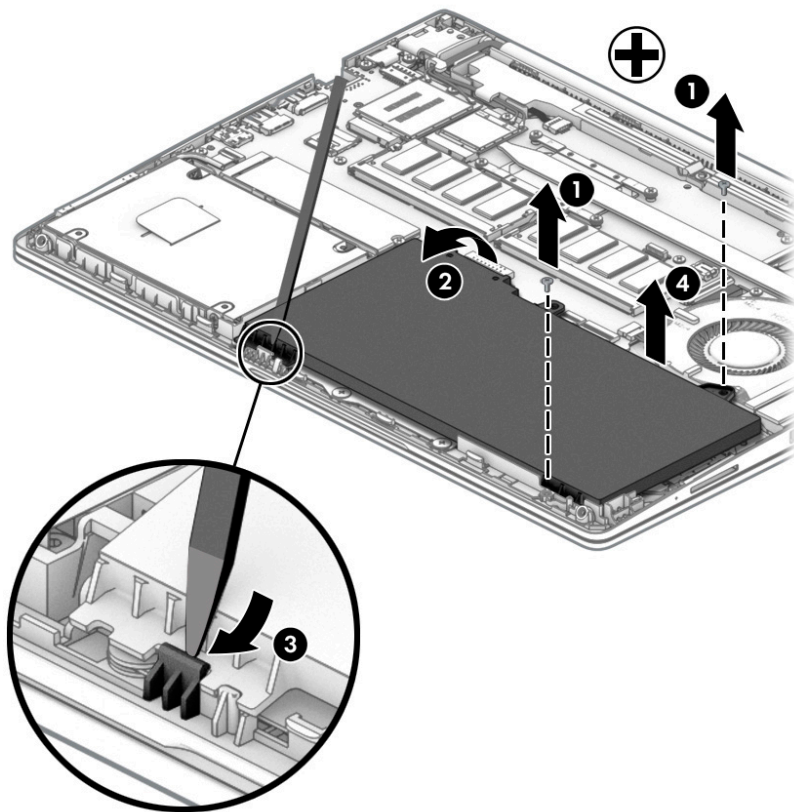
Description	Spare part number
Battery, 3 cell, 45 Whr, 3.92 Ah	L32656-002

Before removing the battery, follow these steps:

1. Prepare the computer for disassembly ([Preparation for disassembly on page 36](#)).
2. Place the computer in “Battery Safe mode” ([Battery Safe mode on page 36](#)).
3. Remove the bottom cover ([Bottom cover on page 37](#)).

Remove the battery:

1. Remove the two Phillips M2.0×4.0 screws **(1)** that secure the battery to the computer.
2. Lift the top of the battery **(2)**, and then use a tool to push the tab back on the bottom left of the battery **(3)**.
3. Lift the battery out of the computer **(4)**.




Reverse this procedure to install the battery.

Memory modules

Table 5-3 Spare part description and number

Description	Spare part number
16 GB	865396-850
8 GB	862398-850
4 GB	862397-850

 **IMPORTANT:** Before adding new memory, make sure you update the computer to the latest BIOS from www.hp.com.

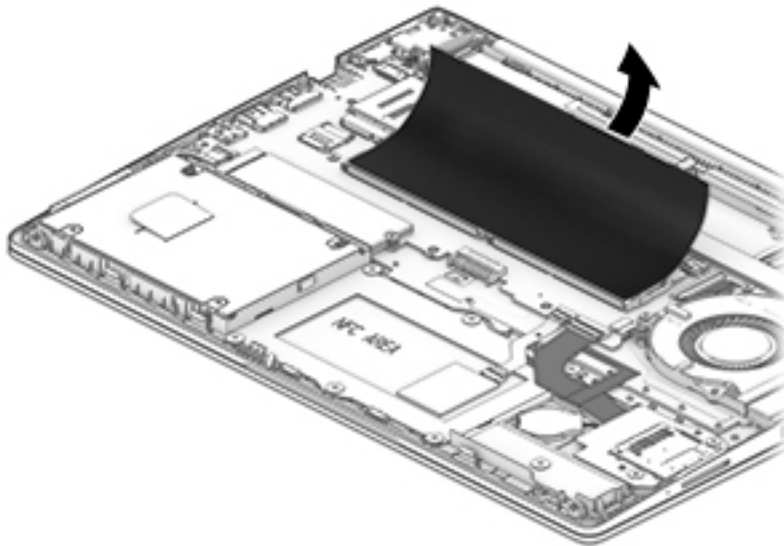
Failure to update the computer to the latest BIOS prior to installing new memory may result in various system problems.

Before removing the memory module, follow these steps:

1. Prepare the computer for disassembly ([Preparation for disassembly on page 36](#)).
2. Place the computer in “Battery Safe mode” ([Battery Safe mode on page 36](#)).
3. Remove the bottom cover ([Bottom cover on page 37](#)).
4. Remove the battery ([Battery on page 38](#)).


Remove the memory module:

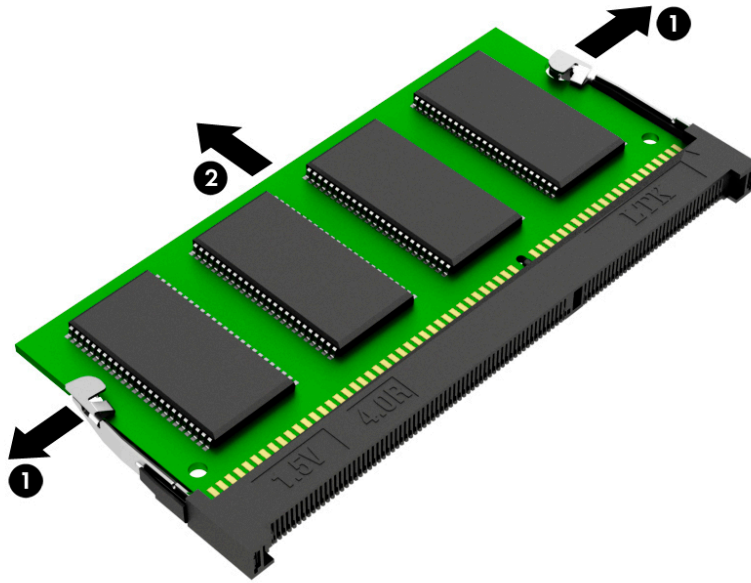
1. Remove the black foil from on top of the memory modules.



2. Spread the retaining tabs **(1)** on each side of the memory module slot to release the memory module. (The edge of the module opposite the slot rises away from the computer.)

3. Remove the memory module (2) by pulling the module away from the slot at an angle.

 **NOTE:** Memory modules are designed with a notch to prevent incorrect insertion into the memory module slot.



Reverse this procedure to install a memory module.

WLAN/Bluetooth combo card

The computer uses a card that provides both WLAN and Bluetooth functionality.

Table 5-4 Spare part description and number

Description	Spare part number
Intel Dual Band Wireless-AC 9560 802.11ac 2 × 2 Wi-Fi + Bluetooth 5.0 Combo Adaptor (non-vPro)	L22634-001
Realtek RTL8822BE 802.11AC 2 × 2 Wi-Fi + Bluetooth 4.2 combination adapter	915623-001

Before removing the WLAN module, follow these steps:

1. Prepare the computer for disassembly ([Preparation for disassembly on page 36](#)).
2. Place the computer in “Battery Safe mode” ([Battery Safe mode on page 36](#)).
3. Remove the bottom cover ([Bottom cover on page 37](#)).
4. Remove the battery ([Battery on page 38](#)).

Remove the WLAN module:


1. Disconnect the WLAN antenna cables (**1**) from the terminals on the WLAN module.

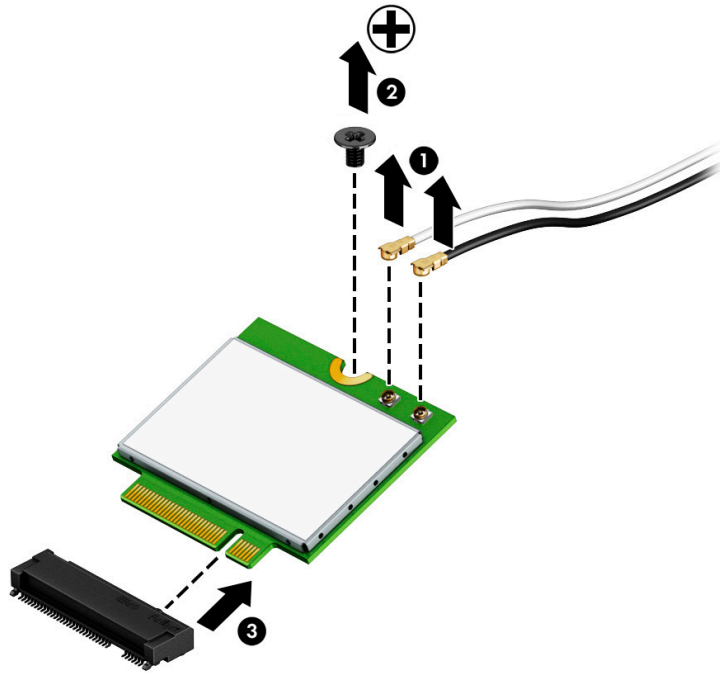



NOTE: The WLAN antenna cable labeled “1” connects to the WLAN module “Main” terminal labeled “1”. The WLAN antenna cable labeled “2” connects to the WLAN module “Aux” terminal labeled “2”. If the computer is equipped with an 802.11a/b/g/n WLAN module, the yellow WLAN antenna cable connects to the middle terminal on the WLAN module.

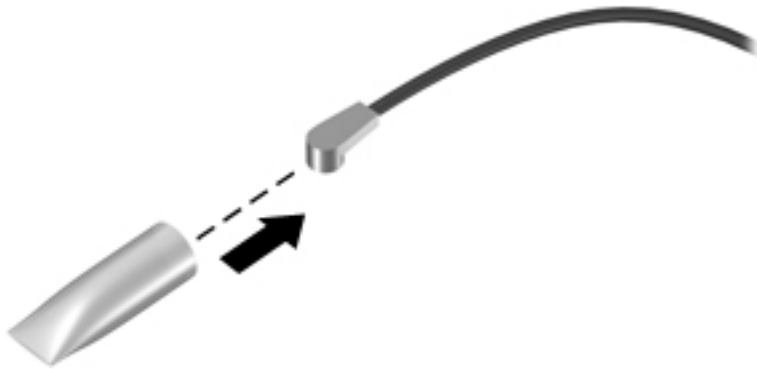
2. Remove the Phillips M2.0×2.5 screw (**2**) that secures the WLAN module to the computer. (The edge of the module opposite the slot rises away from the computer.)

3. Remove the WLAN module (3) by pulling the module away from the slot at an angle.

 **NOTE:** WLAN modules are designed with a notch to prevent incorrect insertion.



 **NOTE:** If the WLAN antennas are not connected to the terminals on the WLAN module, the protective sleeves must be installed on the antenna connectors, as shown in the following illustration.



Reverse this procedure to install the WLAN module.

WWAN module



NOTE: The WWAN module and the WLAN module are not interchangeable.

Table 5-5 Spare part description and number

Description	Spare part number
Intel XMM 7360 LTE-Advanced	L15398-001
Intel XMM 7262 LTE-Advanced (Cat6)	L35286-001

Before removing the WWAN module, follow these steps:

1. Prepare the computer for disassembly ([Preparation for disassembly on page 36](#)).
2. Place the computer in “Battery Safe mode” ([Battery Safe mode on page 36](#)).
3. Remove the bottom cover ([Bottom cover on page 37](#)).
4. Remove the battery ([Battery on page 38](#)).

Remove the WWAN module:


1. Disconnect the WWAN antenna cables **(1)** from the terminals on the WWAN module.

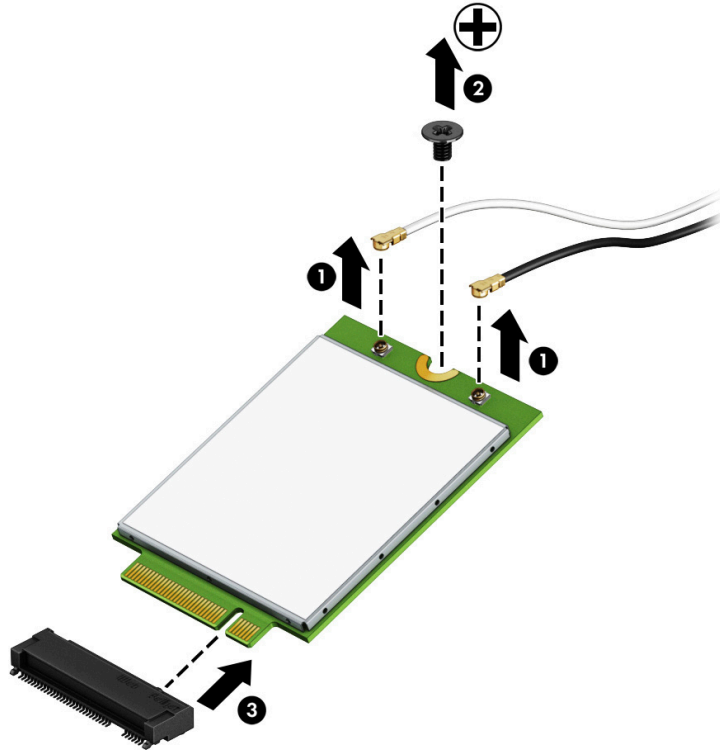



NOTE: The red WWAN antenna cable is connected to the WWAN module “Main” terminal. The blue WWAN antenna cable is connected to the WWAN module “Aux” terminal.

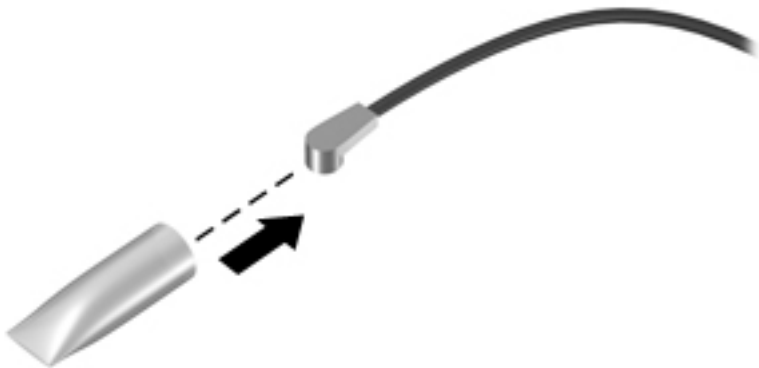
2. Remove the Phillips M2.0×2.5 screw **(2)** that secures the WWAN module to the system board.

3. Remove the WWAN module (3) by pulling the module away from the slot.

 **NOTE:** WWAN modules are designed with a notch to prevent incorrect insertion.



 **NOTE:** If the WWAN antennas are not connected to the terminals on the WWAN module, the protective sleeves must be installed on the antenna connectors, as shown in the following illustration.



Reverse this procedure to install the WWAN module.

M.2 solid-state drive

Table 5-6 Spare part description and number

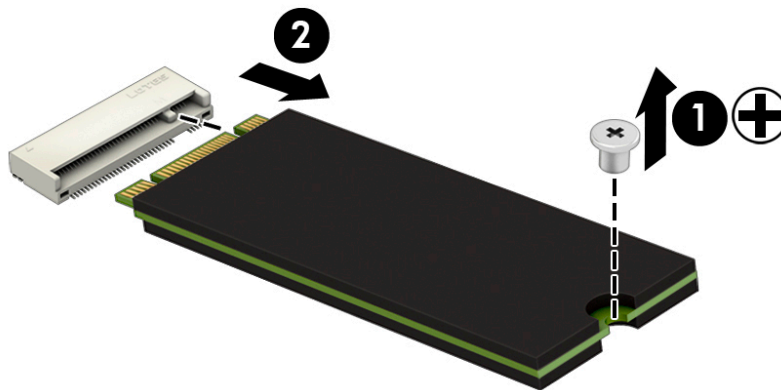
Description	Spare part number
512 GB, PCIe, TLC	L44529-001
256 GB, PCIe	L44528-001
256 GB, SATA-3, TLC	L44527-001
128 GB, SATA-3, TLC	L46736-001
16 GB, PCIe (Optane memory module)	L44526-001

Before removing the solid-state drive, follow these steps:

1. Prepare the computer for disassembly ([Preparation for disassembly on page 36](#)).
2. Place the computer in “Battery Safe mode” ([Battery Safe mode on page 36](#)).
3. Remove the bottom cover ([Bottom cover on page 37](#)).
4. Remove the battery ([Battery on page 38](#)).

Remove the solid-state drive:

1. Remove the Phillips M2.0×2.5 screw **(1)** that secures the solid-state drive to the computer.
2. Remove the solid-state drive **(2)** by pulling the module away from the slot at an angle.



Reverse this procedure to install the solid-state drive.

Hard drive

Table 5-7 Spare part description and number

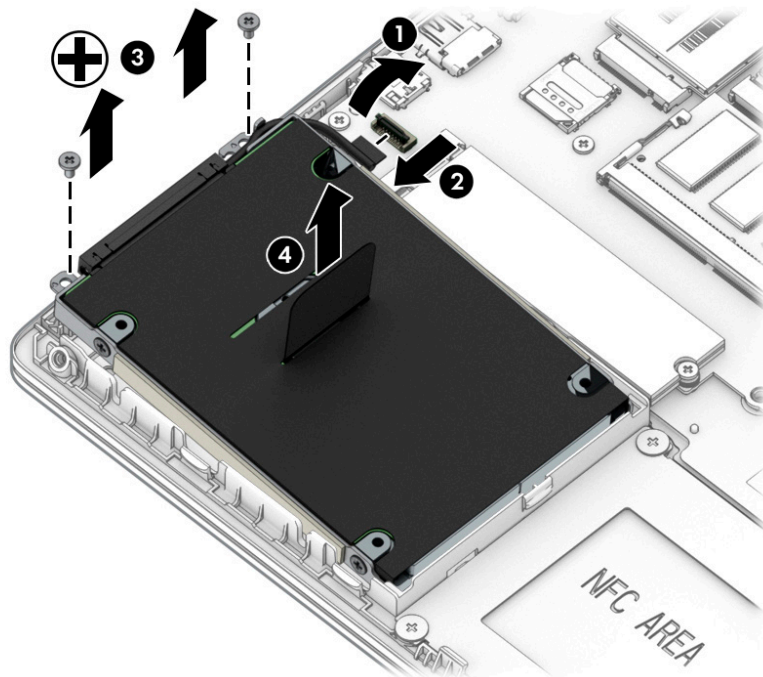
Description	Spare part number
Hard, drive, 1 TB, 5400 rpm, 7 mm	762990-001
Hard drive, 500 GB, 7200 rpm, 7 mm	703267-001
Hard Drive Hardware Kit (includes hard drive cover and connector)	L44510-001

Before removing the hard drive, follow these steps:

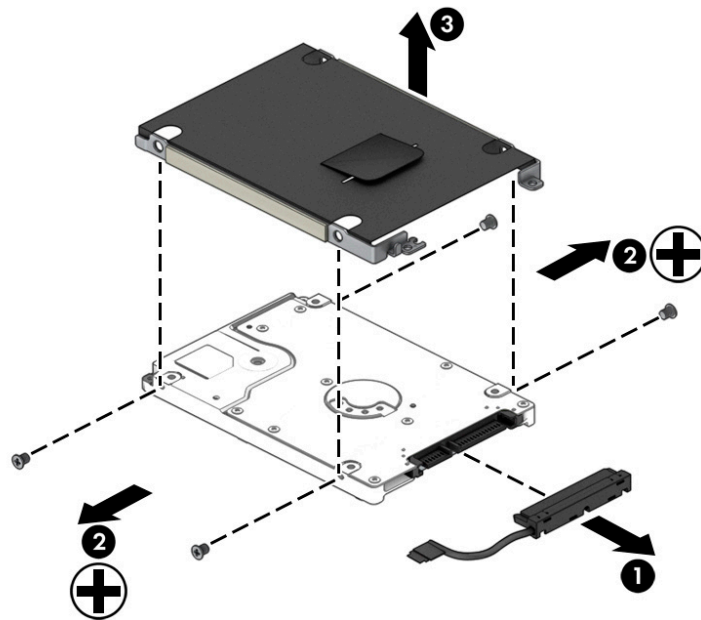
1. Prepare the computer for disassembly ([Preparation for disassembly on page 36](#)).
2. Place the computer in “Battery Safe mode” ([Battery Safe mode on page 36](#)).
3. Remove the bottom cover ([Bottom cover on page 37](#)).
4. Remove the battery ([Battery on page 38](#)).

Remove the hard drive:

1. Release the ZIF connector **(1)**, and then disconnect the hard drive cable from the system board **(2)**.
2. Remove the two Phillips M2.0×4.0 screws **(3)** that secure the hard drive to the computer.
3. Use the tab to lift the hard drive from the bay **(4)**.




4. To disassemble the hard drive, disconnect the connector from the hard drive **(1)**, remove the four Phillips M3.0×3.0 screws **(2)** that secure the cover to the drive, and then lift the cover off the drive **(3)**.




Reverse these procedures to install a hard drive.

6 Removal and replacement procedures for Authorized Service Provider parts

 **CAUTION:** Components described in this chapter should only be accessed by an authorized service provider. Accessing these parts can damage the computer or void the warranty.

 **NOTE:** HP continually improves and changes product parts. For complete and current information on supported parts for your computer, go to <http://partsurfer.hp.com>, select your country or region, and then follow the on-screen instructions.

Component replacement procedures

 **NOTE:** Details about your computer, including model, serial number, product key, and length of warranty, are on the service tag at the bottom of your computer. See [Labels on page 19](#) for details.

This chapter provides removal and replacement procedures for Authorized Service Provider only parts.

There are as many as 41 screws that must be removed, replaced, or loosened when servicing Authorized Service Provider only parts. Make special note of each screw size and location during removal and replacement.

Speaker assembly

Table 6-1 Spare part description and number

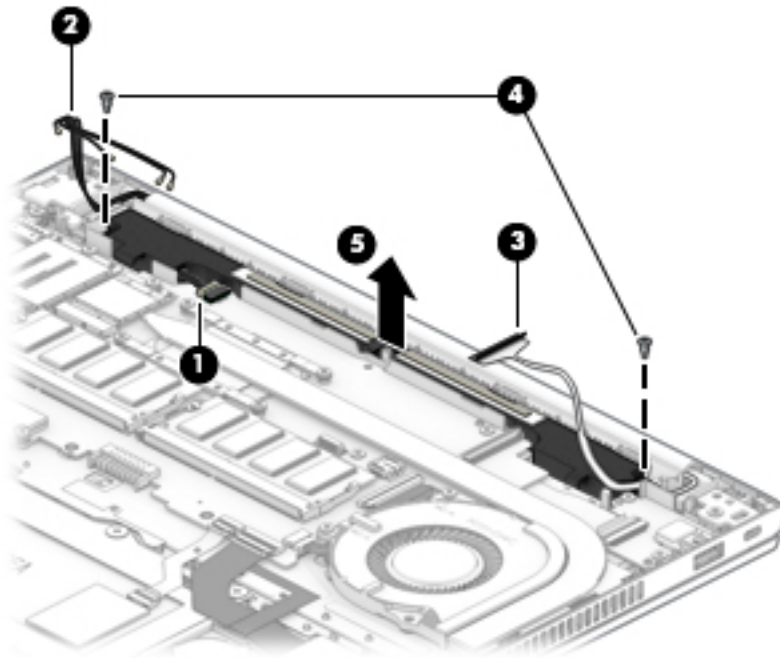
Description	Spare part number
Speaker assembly	L44513-001

Before removing the speaker assembly, follow these steps:

1. Prepare the computer for disassembly ([Preparation for disassembly on page 36](#)).
2. Place the computer in “Battery Safe mode” ([Battery Safe mode on page 36](#)).
3. Remove the bottom cover ([Bottom cover on page 37](#)).
4. Remove the battery ([Battery on page 38](#)).

Remove the speaker assembly:

1. Disconnect the speaker cable from the system board **(1)**.
2. Remove the antenna cables from the channel in the right speaker **(2)**.
3. Remove the display cable from the channel in the left speaker **(3)**.
4. Remove the two Phillips M2.0×5.5 screws **(4)** that secure the speakers to the computer.
5. Remove the speakers from the computer **(5)**.




Reverse this procedure to install the speaker assembly.

Fan

Table 6-2 Spare part description and number

Description	Spare part number
Fan	L44514-001

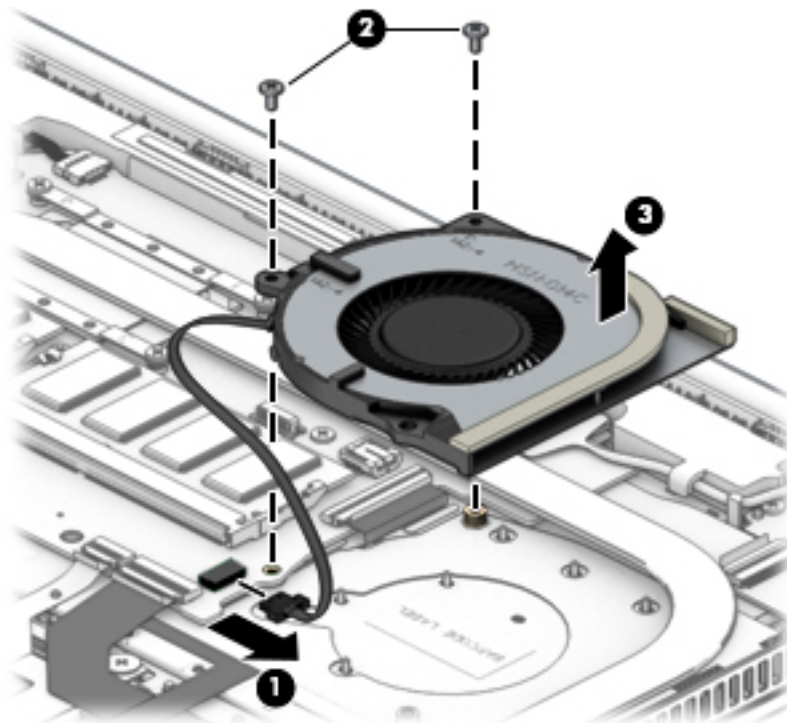
 **NOTE:** To properly ventilate the computer, allow at least **7.6 cm (3.0 in)** of clearance on the sides of the computer. The computer uses an electric fan for ventilation. The fan is controlled by a temperature sensor and is designed to turn on automatically when high temperature conditions exist. These conditions are affected by high external temperatures, system power consumption, power management/battery conservation configurations, battery fast charging, and software requirements. Exhaust air is displaced through the ventilation grill.

Before removing the fan, follow these steps:

1. Prepare the computer for disassembly ([Preparation for disassembly on page 36](#)).
2. Place the computer in “Battery Safe mode” ([Battery Safe mode on page 36](#)).
3. Remove the bottom cover ([Bottom cover on page 37](#)).
4. Remove the battery ([Battery on page 38](#)).

Remove the fan:

1. Disconnect the fan cable (**1**) from the system board.
2. Remove the two Phillips M2.0×4.0 screws (**2**) that secure the fan to the computer.
3. Lift the fan out of the computer (**3**).



Reverse this procedure to install the fan.

Heat sink



NOTE: All heat sink spare part kits include replacement thermal material.

Table 6-3 Spare part description and number

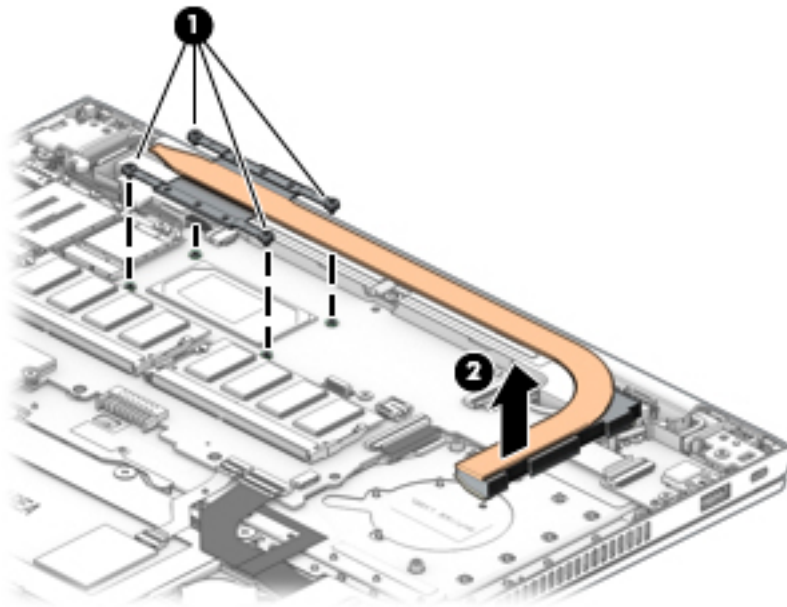
Description	Spare part number
Heat sink	L44512-001

Before removing the heat sink, follow these steps:

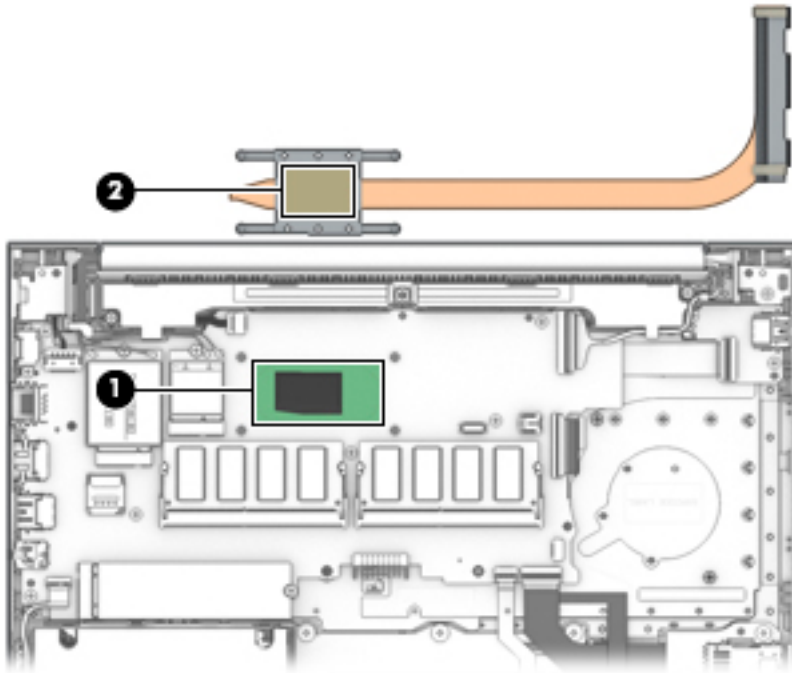
1. Prepare the computer for disassembly ([Preparation for disassembly on page 36](#)).
2. Place the computer in “Battery Safe mode” ([Battery Safe mode on page 36](#)).
3. Remove the bottom cover ([Bottom cover on page 37](#)).
4. Remove the battery ([Battery on page 38](#)).

Remove the heat sink:

1. In the order indicated on the heat sink, loosen the four captive Phillips screws (**1**) that secure the heat sink to the system board.
2. Lift the heat sink from the system board (**2**).



3. Thoroughly clean thermal material from the surfaces of the system board component **(1)** and the heat sink **(2)** each time you remove the heat sink. All heat sink and system board spare part kits include thermal material.



Reverse this procedure to install the heat sink.

Power/USB board

Table 6-4 Spare part description and number

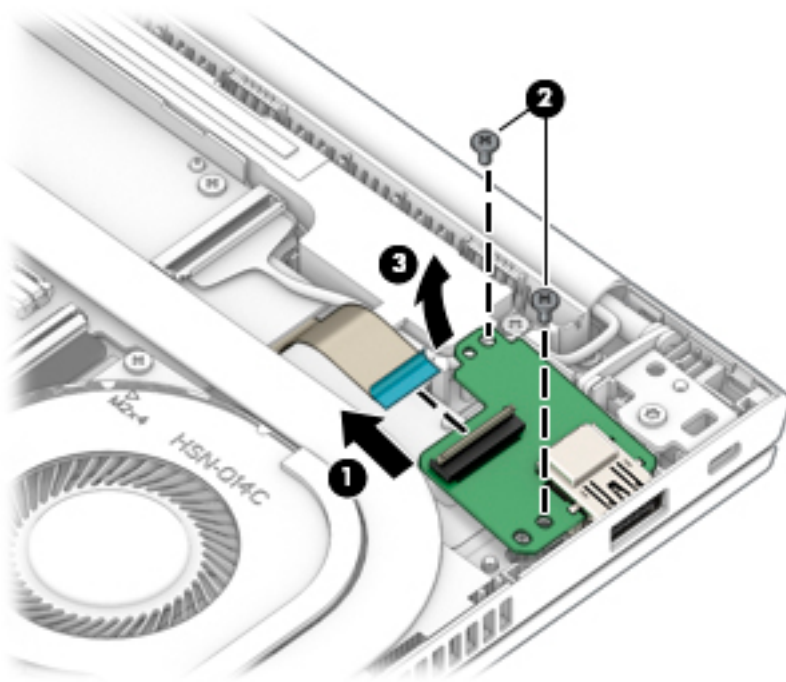
Description	Spare part number
Power/USB board	L44536-001
Power/USB board cable (included in Cable Kit)	L44509-001

Before removing the power/USB board, follow these steps:

1. Prepare the computer for disassembly ([Preparation for disassembly on page 36](#)).
2. Place the computer in “Battery Safe mode” ([Battery Safe mode on page 36](#)).
3. Remove the bottom cover ([Bottom cover on page 37](#)).
4. Remove the battery ([Battery on page 38](#)).

Remove the power/USB board:

1. Disconnect the cable from the ZIF connector on the power/USB board **(1)**.
2. Remove the two Phillips M2.0×4.0 screws **(2)** that secure the board to the computer.
3. Lift the rear of the board up, and then pull the board away from the connector and out of the computer to remove it **(3)**.



Reverse this procedure to install the power/USB board.

TouchPad assembly

Table 6-5 Spare part description and number

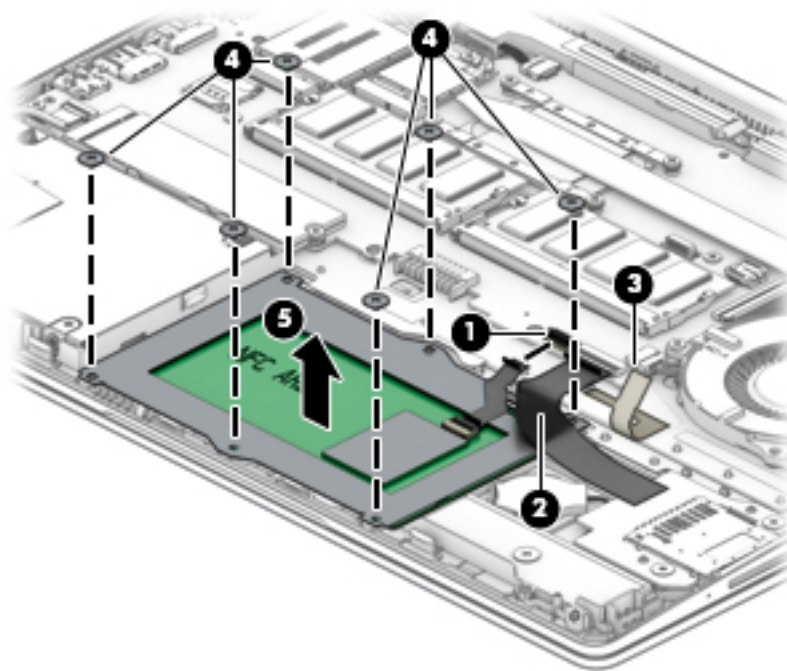
Description	Spare part number
TouchPad assembly (includes cable)	L44538-001

Before removing the TouchPad assembly, follow these steps:

1. Prepare the computer for disassembly ([Preparation for disassembly on page 36](#)).
2. Place the computer in “Battery Safe mode” ([Battery Safe mode on page 36](#)).
3. Remove the bottom cover ([Bottom cover on page 37](#)).
4. Remove the battery ([Battery on page 38](#)).

Remove the TouchPad assembly:

1. Disconnect the cable from the ZIF connector on the TouchPad **(1)**.
2. Lift the cable to remove it from the adhesive that secures it to the TouchPad **(2)**.
3. Lift the silver tape from the TouchPad **(3)**.
4. Remove the six broad head Phillips M2.0×2.0 screws **(4)** that secure the TouchPad to the computer.
5. Lift the TouchPad out of the computer **(5)**.



Reverse this procedure to install the TouchPad assembly.

Fingerprint sensor assembly

Table 6-6 Spare part description and number

Description	Spare part number
Fingerprint sensor assembly	L44516-001
Fingerprint sensor bracket (included in Bracket Kit)	L44545-001
Fingerprint sensor cable (included in the Cable Kit)	L44509-001
Fingerprint sensor insert (included in Plastics Kit; for use in models without a fingerprint sensor)	L44511-001


Before removing the fingerprint sensor assembly, follow these steps:

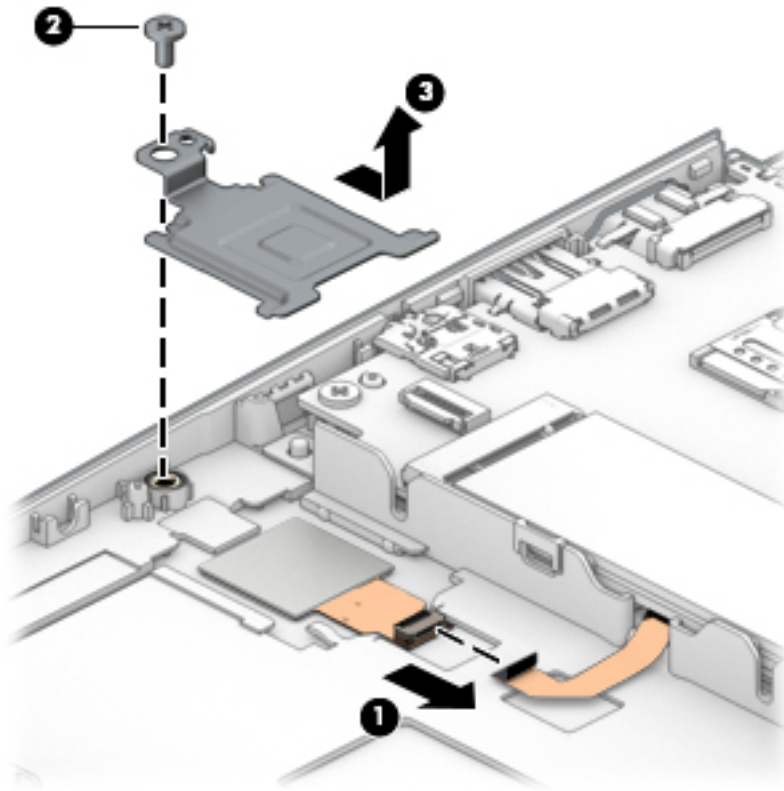
1. Prepare the computer for disassembly ([Preparation for disassembly on page 36](#)).
2. Place the computer in “Battery Safe mode” ([Battery Safe mode on page 36](#)).
3. Remove the following components:
 - a. Bottom cover ([Bottom cover on page 37](#)).
 - b. Battery ([Battery on page 38](#)).
 - c. Hard drive ([Hard drive on page 46](#))

Remove the fingerprint sensor assembly:

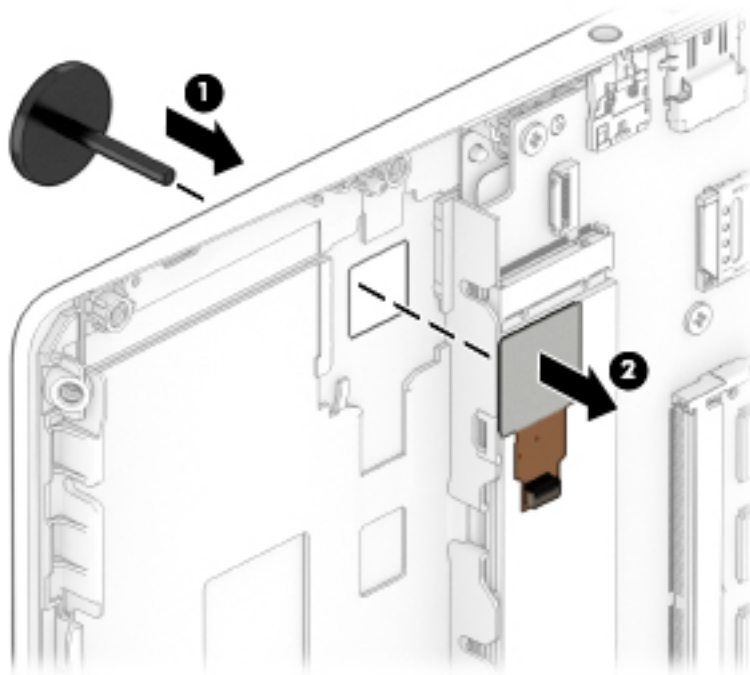
1. Disconnect the cable from the ZIF connector on the fingerprint sensor **(1)**.
2. Remove the Phillips M2.0×3.0 screw **(2)** that secures the bracket to the computer.

3. Slide the bracket toward the inside of the computer, and then lift it off the fingerprint sensor board (3).

 **TIP:** A tool may be required to push and disengage the bracket.



4. From the top of the computer, push the fingerprint sensor up (1) to disengage, and then remove it (2).



Reverse this procedure to install the fingerprint sensor assembly.

Card reader board

Table 6-7 Spare part description and number

Description	Spare part number
Card reader board assembly (includes cable)	L44537-001

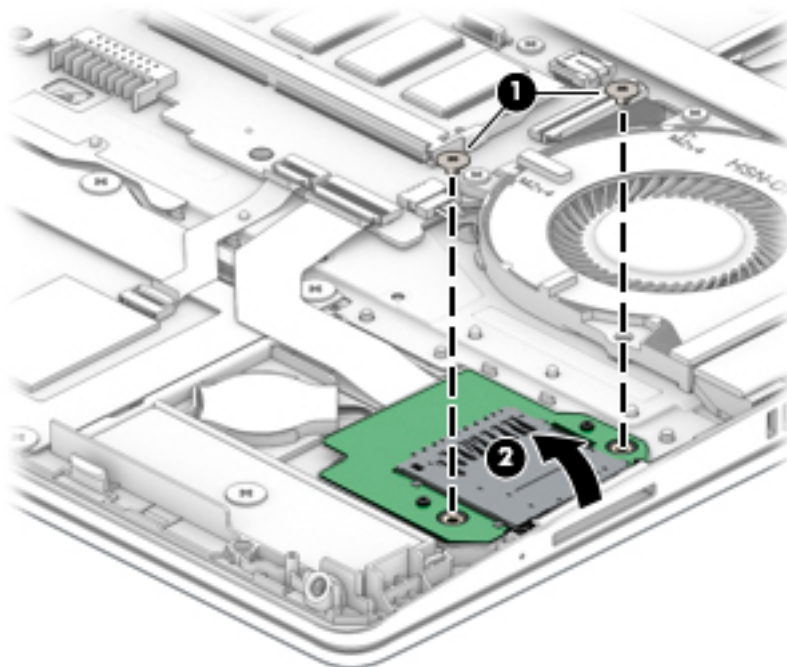
NOTE: The card reader board cable is also available in the Cable Kit using spare part number L44509-001.

Before removing the card reader board, follow these steps:

1. Prepare the computer for disassembly ([Preparation for disassembly on page 36](#)).
2. Place the computer in “Battery Safe mode” ([Battery Safe mode on page 36](#)).
3. Remove the bottom cover ([Bottom cover on page 37](#)).
4. Remove the battery ([Battery on page 38](#)).

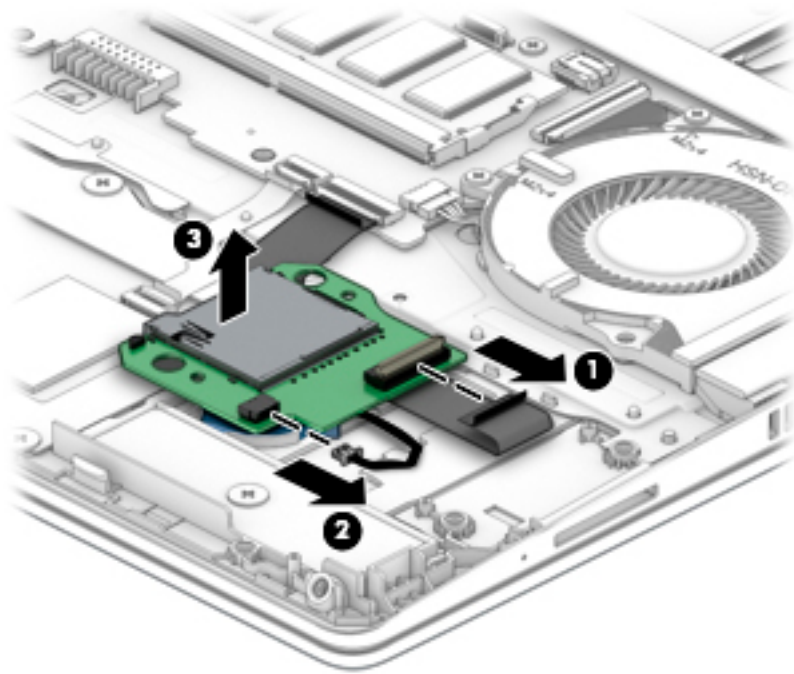
Remove the card reader board:

1. Remove the two Phillips M2.0×2.0 screws **(1)** that secure the card reader board to the computer.
2. Lift the board up so you can access the connectors underneath **(2)**.



3. Disconnect the card reader board cable from the card reader board ZIF connector **(1)**.
4. Disconnect the RTC battery from the card reader board **(2)**.

5. Lift the card reader board out of the computer **(3)**.



Reverse this procedure to install the card reader board.

RTC battery

Table 6-8 Spare part description and number

Description	Spare part number
RTC battery	L02772-001

Before removing the RTC battery, follow these steps:

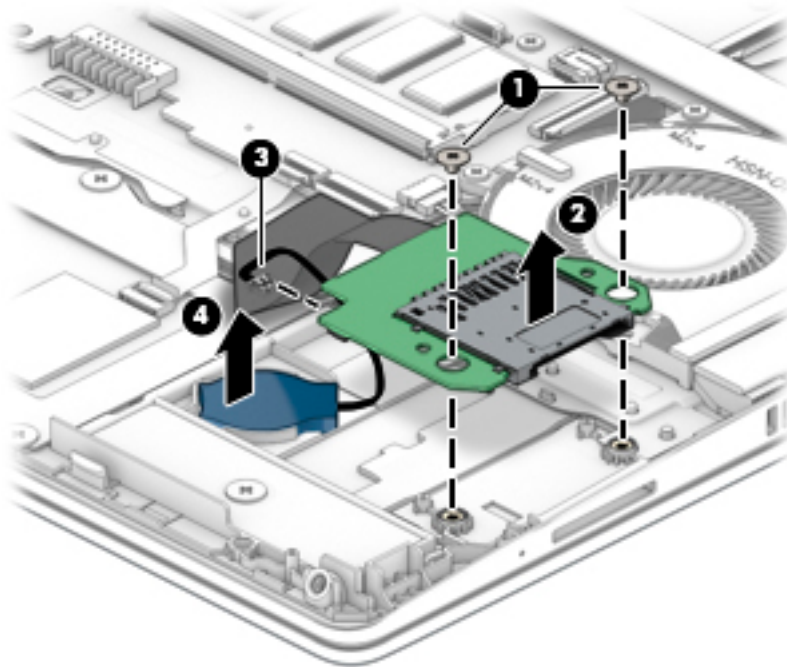
1. Prepare the computer for disassembly ([Preparation for disassembly on page 36](#)).
2. Place the computer in “Battery Safe mode” ([Battery Safe mode on page 36](#)).
3. Remove the bottom cover ([Bottom cover on page 37](#)).
4. Remove the battery ([Battery on page 38](#)).

Remove the RTC battery:



NOTE: The RTC battery connector is located on the bottom of the card reader board.

1. Remove the two Phillips M2.0×2.0 screws **(1)** that secure the card reader board to the computer.
2. Lift the board up so you can access the connectors underneath **(2)**.
3. Disconnect the RTC battery from the card reader board **(3)**.
4. Lift the battery to disengage it from the adhesive that secures it to the computer **(4)**.



Reverse this procedure to install the RTC battery.

System board



NOTE: All system board spare part kits include replacement thermal material.

All system boards use the following part numbers:

xxxxxx-001: Non-Windows operating systems

xxxxxx-601: Windows 10 operating system

Table 6-9 Spare part description and number

Description	Spare part number
System board with integrated processor:	
- Intel Core i7-8565U processor	L44507-xxx
- Intel Core i5-8365U processor	L44506-xxx
- Intel Core i5-8265U processor (for use in models with WWAN)	L44505-xxx
- Intel Core i5-8265U processor	L44504-xxx
- Intel Core i3-8145U processor (for use in models with WWAN)	L44503-xxx
- Intel Core i3-8145U processor	L44502-xxx
- Intel Pentium 5405U processor	L44508-xxx
- Intel Celeron 4255U processor	L44501-xxx

Before removing the system board, follow these steps:

1. Prepare the computer for disassembly ([Preparation for disassembly on page 36](#)).
2. Place the computer in “Battery Safe mode” ([Battery Safe mode on page 36](#)).
3. Remove the following components:
 - a. Bottom cover ([Bottom cover on page 37](#)).
 - b. Battery ([Battery on page 38](#))
 - c. Fan ([Fan on page 50](#))

When replacing the system board, be sure to remove the following components (as applicable) from the defective system board and install on the replacement system board:

- Memory modules ([Memory modules on page 39](#))
- WLAN/Bluetooth module ([WLAN/Bluetooth combo card on page 41](#))
- WWAN module ([WWAN module on page 43](#))
- M.2 solid-state drive ([M.2 solid-state drive on page 45](#))
- Heat sink ([Heat sink on page 51](#))

Remove the system board:

1. Disconnect the following cables from the system board:
 - (1): Power connector cable
 - (2): Antennas from WWAN module (select models only)

(3): Antennas from WLAN module (select models only)

(4): Speaker cable

(5): Display cable (ZIF)

(6): USB cable from USB board (ZIF)

(7): Keyboard cable (ZIF)

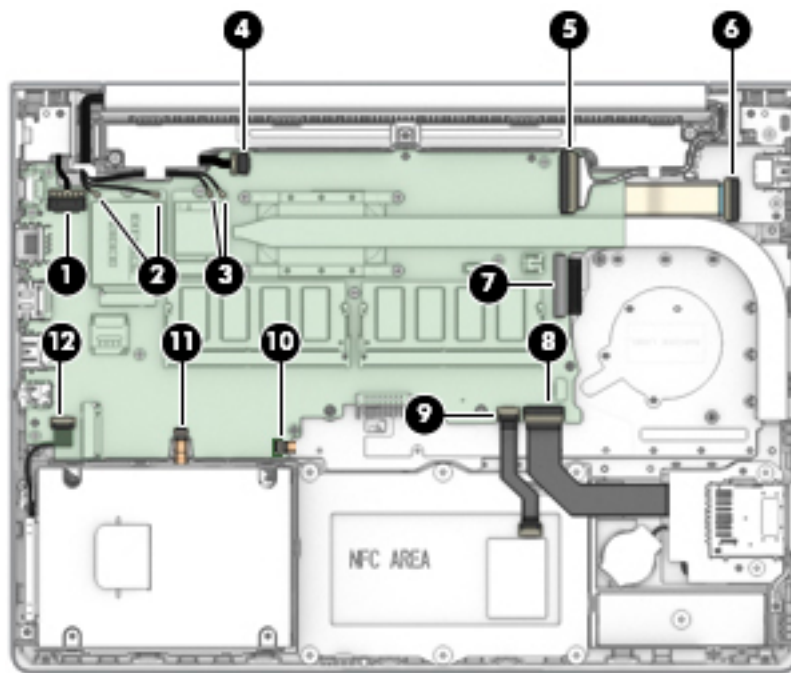
(8): Card reader cable (ZIF)

(9): TouchPad cable (ZIF)

(10): Keyboard backlight cable (ZIF)

(11): Fingerprint sensor cable (ZIF)

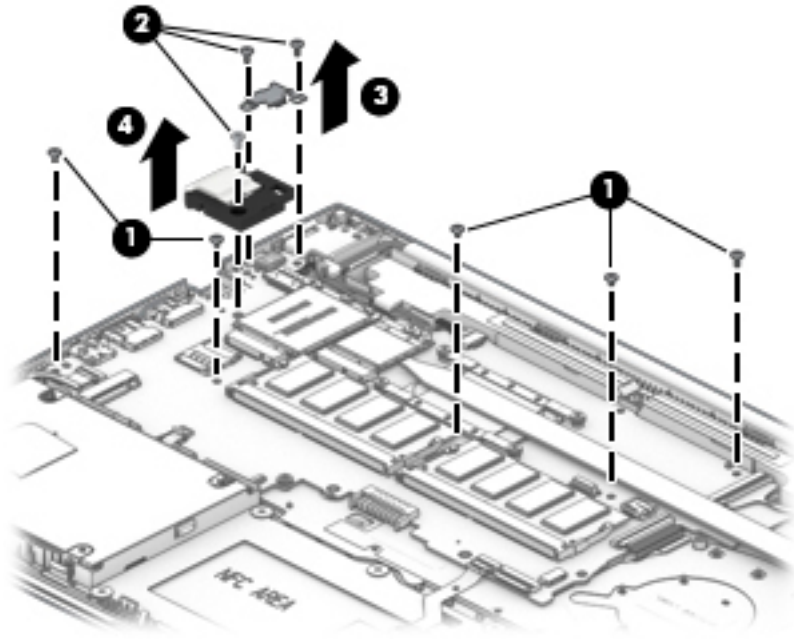
(12): Hard drive cable (ZIF)



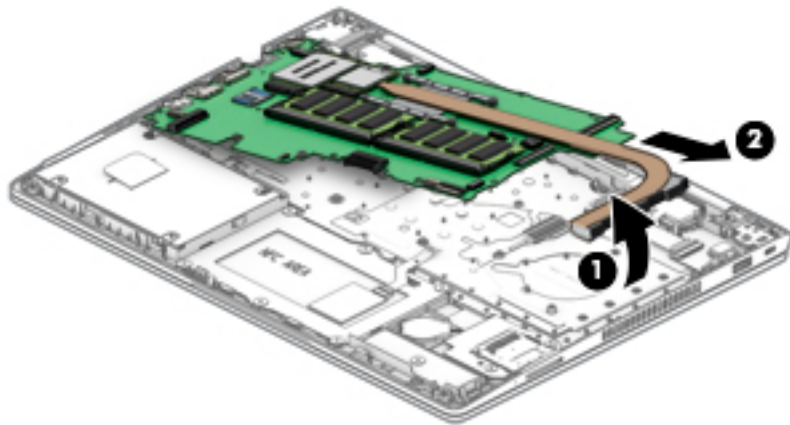
- 2.** Remove the five Phillips M2.0×2.5 screws **(1)** that secure the system board to the computer.
- 3.** Remove the three Phillips M2.0×4.0 screws **(2)** that secure the system board to the computer.
- 4.** Lift the bracket from atop the USB-Type C port **(3)**.

5. Remove the RJ-45 cover from the system board (4).

The USB bracket and RJ-45 cover are available in the Bracket Kit using spare part number L44545-001.



6. Rotate the right side of the system board upward (1).
7. Pull the system board away from the connectors on the side of the chassis to remove it from the computer (2).




Reverse this procedure to install the system board.

Display assembly, touch models

Before disassembling the display assembly, follow these steps:

1. Prepare the computer for disassembly ([Preparation for disassembly on page 36](#)).
2. Place the computer in “Battery Safe mode” ([Battery Safe mode on page 36](#)).
3. Remove the bottom cover ([Bottom cover on page 37](#)).
4. Remove the battery ([Battery on page 38](#)).

Disassemble the display assembly:

 **TIP:** You can remove the display panel and camera with or without removing the display assembly from the computer. Steps 1- 5 show how to remove these components with the display assembly attached to the computer. Removing the remaining subcomponents requires that you remove the display assembly from the computer.

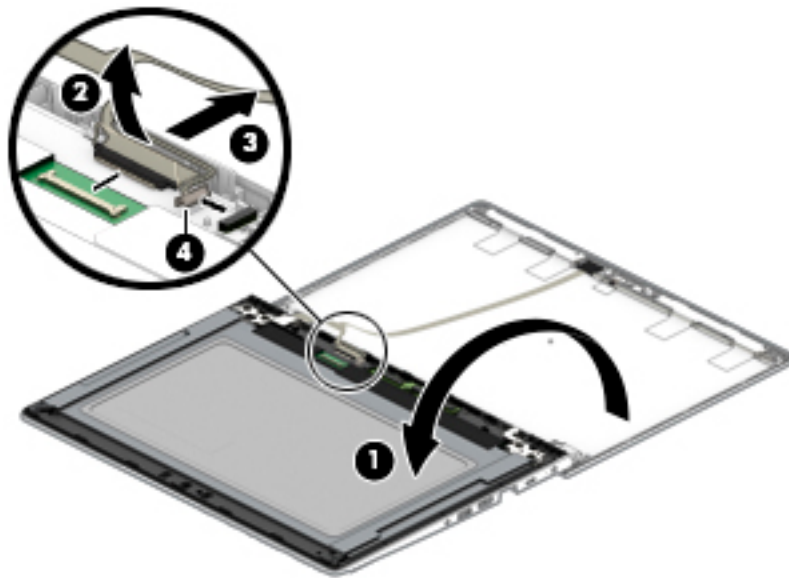
1. Insert a non-conductive, non-marking plastic tool between the display panel and the display back cover (enclosure) **(1)**.
2. Pull the tool around the sides of the panel to separate the display panel from the enclosure **(2)**.



3. Rotate the display panel onto the keyboard **(1)** to gain access to the display cable connector on the back of the panel.

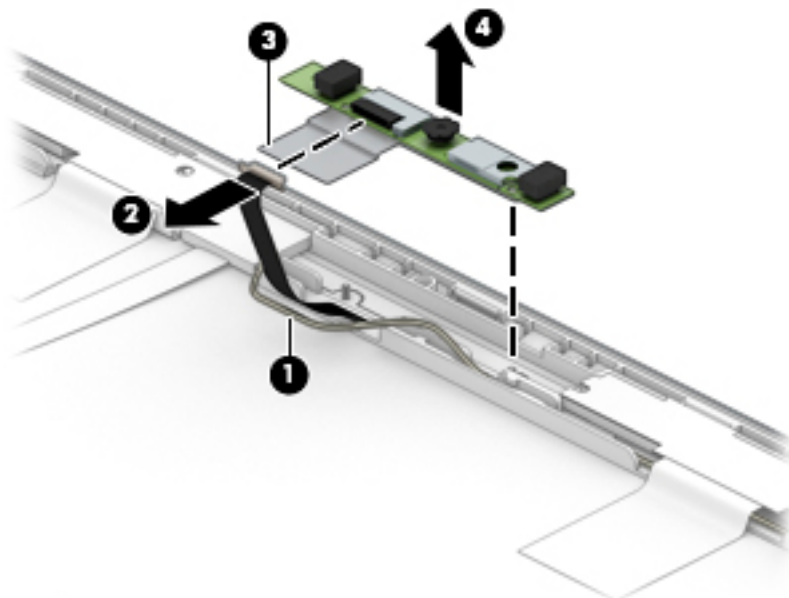
4. Lift the tape from atop the connector on the display panel **(2)**, disconnect the cable from the panel **(3)**, and then disconnect the cable from the touch control board **(4)**.


Display panels are available using spare part number L44546-001 for FHD displays and L48455-001 for HD displays.



5. If it is necessary to remove or replace the HD camera, lift the LVDS cable that routes on top of the module **(1)**, disconnect the cable from the camera **(2)**, and then peel the silver tape up **(3)** to remove the module from the enclosure **(4)**.

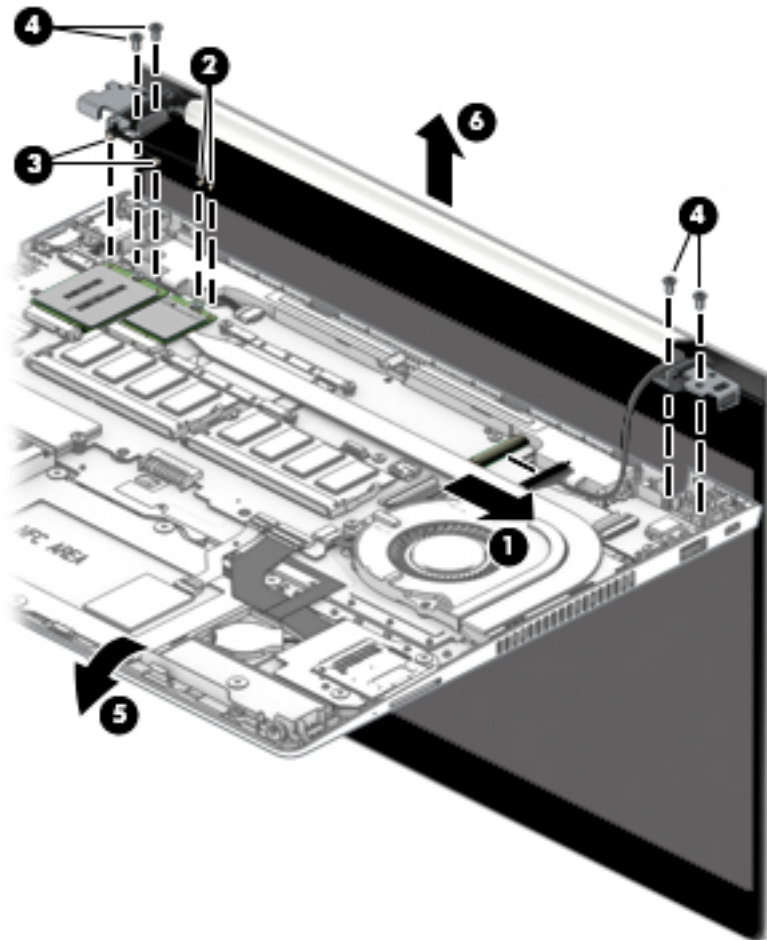
The HD camera is available using spare part number L44539-001.



 **NOTE:** You must remove the display assembly from the computer to remove the remaining display subcomponents.

6. If it is necessary to remove the display assembly from the computer:

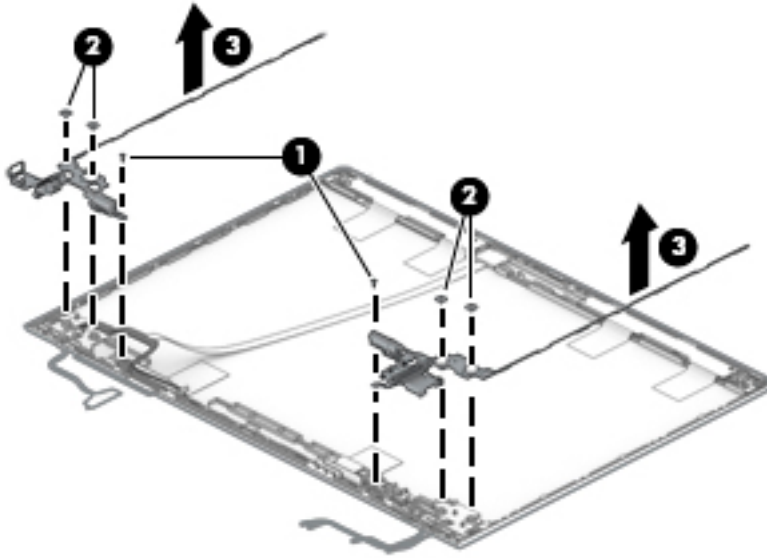
- a. Disconnect the display cable from the system board ZIF connector **(1)**.
- b. Disconnect the antennas from the WLAN module **(2)** (select models only).
- c. Disconnect the antennas from the WWAN module **(3)** (select models only).
- d. Remove the four Torx T8 2.5×4.0 screws **(4)** that secure the display assembly to the computer.
- e. Rotate the display to open the hinges **(5)**, and then separate the display from the computer **(6)**.



7. If it is necessary to remove the hinges from the display enclosure, remove the Phillips M2.0×4.0 screw **(1)** and the two Phillips broad head M2.5×2.5 screws **(2)** from the bottom of each hinge.

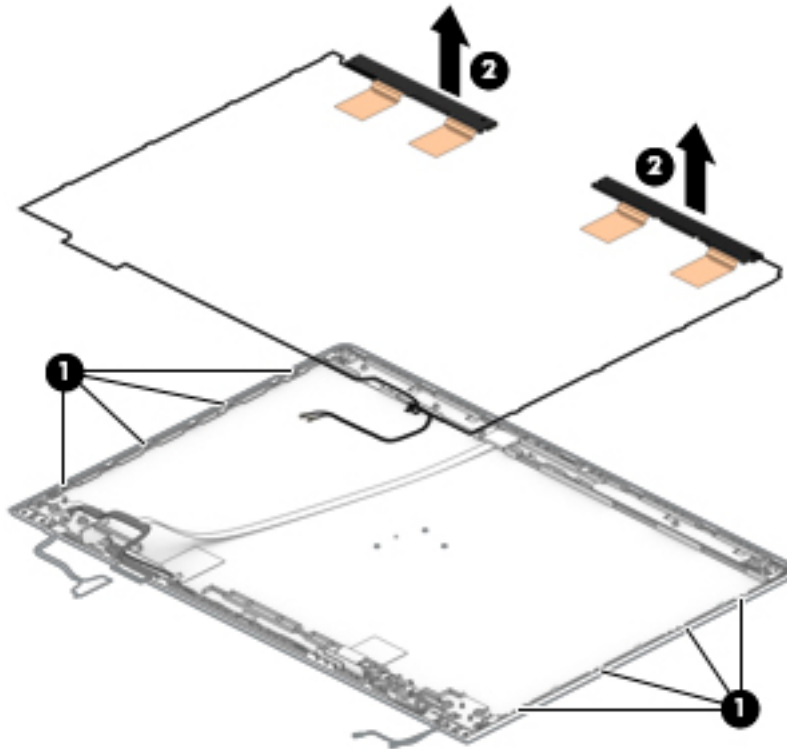
8. Lift the hinges from the enclosure (3).

The display hinges are available using spare part number L45785-001.



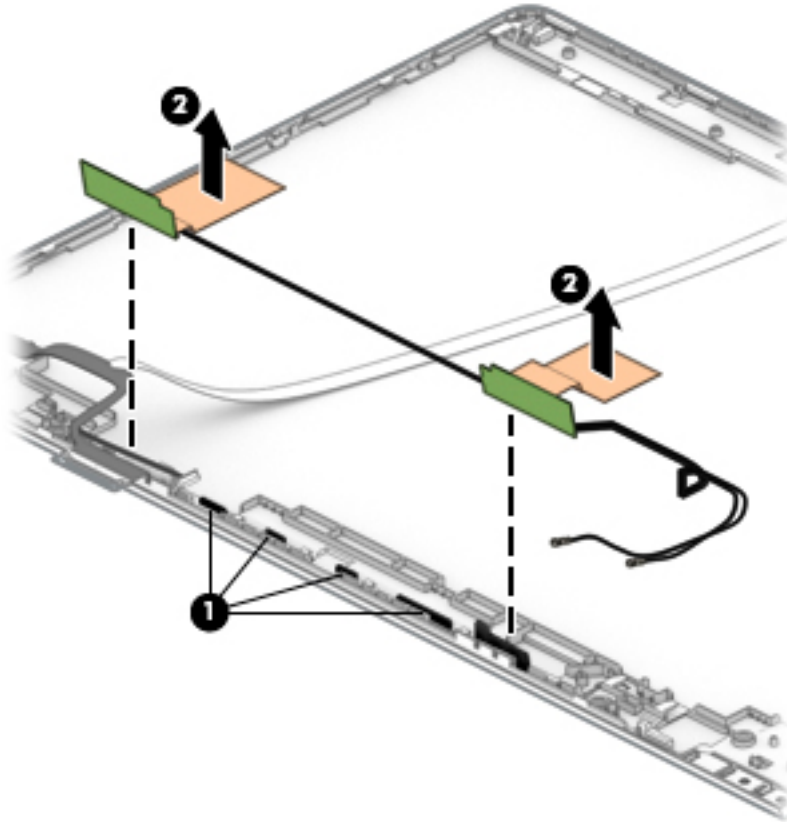
9. If it is necessary to replace the WWAN antennas, remove the cables from the clips in the sides of the enclosure (1), and then peel antennas and remove them from the enclosure (2).

WWAN antennas are available using spare part number L45788-001.



10. If it is necessary to replace the WLAN antennas, remove the cables from the clips in the bottom of the enclosure **(1)**, and then peel the antennas and remove them from the display enclosure **(2)**.

WLAN antennas are available using spare part number L45787-001.

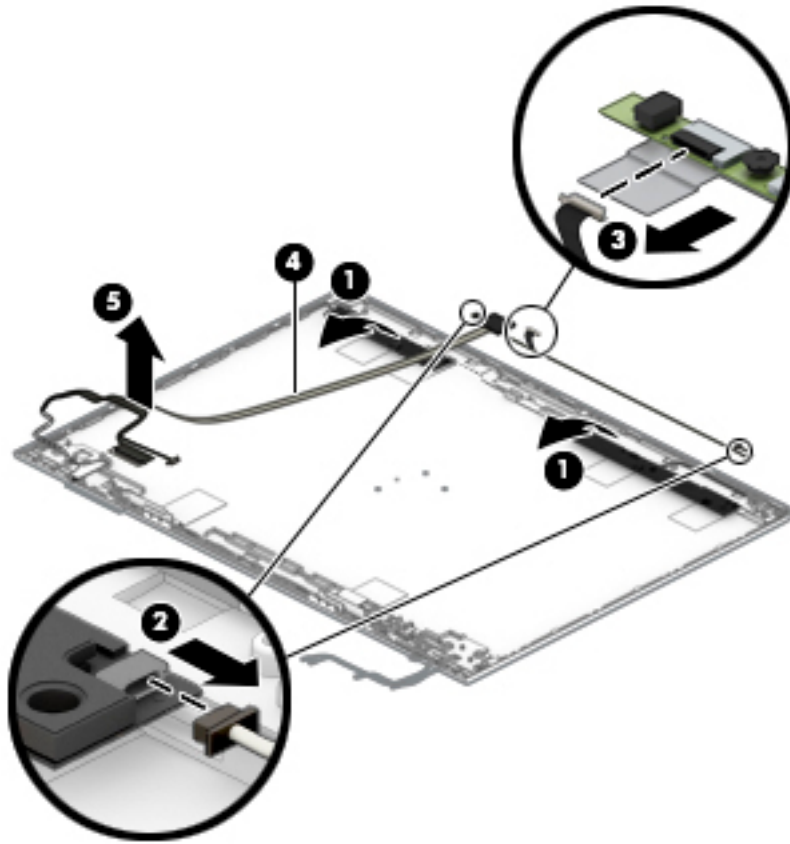


11. If it is necessary to remove or replace the display/camera cable, use the following steps:

Displays with an HD camera and WWAN

- a. Rotate the WWAN antennas **(1)**, and then disconnect the WWAN cable **(2)**.
- b. Disconnect the cable from the ZIF connector on the camera module **(3)**.

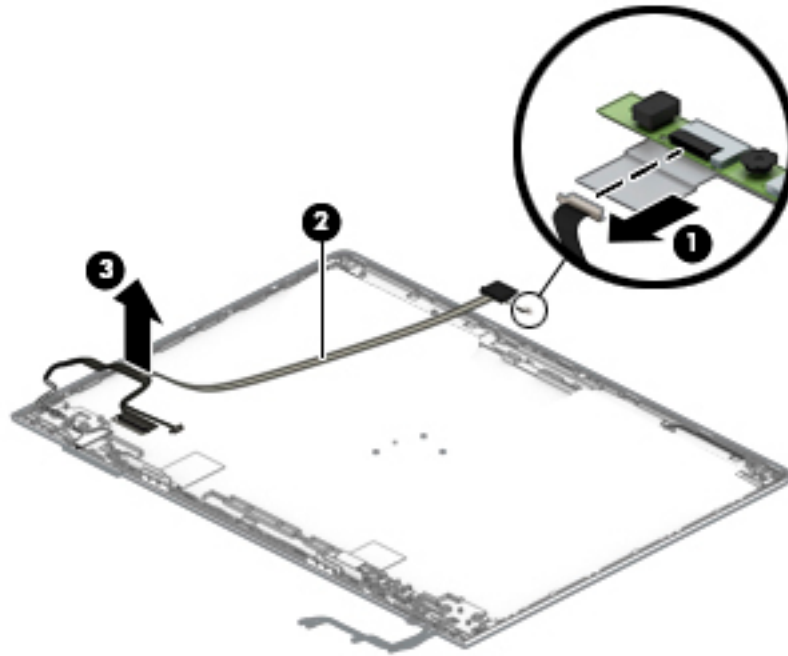
- c. Pull the cable up to disengage it from the adhesive that secures it to the inside of the enclosure **(4)**, and then remove the cable from the enclosure **(5)**.



Displays with an HD camera, without WWAN

- a. Disconnect the cable from the ZIF connector on the camera module **(1)**.

- b. Pull the cable up to disengage it from the adhesive that secures it to the inside of the enclosure (2), and then remove the cable from the enclosure (3).




Reverse this procedure to reassemble the touch display assembly.

Display assembly, non-touch models

Before disassembling the display assembly, follow these steps:

1. Prepare the computer for disassembly ([Preparation for disassembly on page 36](#)).
2. Place the computer in “Battery Safe mode” ([Battery Safe mode on page 36](#)).
3. Remove the bottom cover ([Bottom cover on page 37](#)).
4. Remove the battery ([Battery on page 38](#)).

Disassemble the display assembly:

 **TIP:** You can remove the bezel, display panel, and camera with or without removing the display assembly from the computer. Steps 1- 11 show how to remove these components with the display assembly attached to the computer. Removing the remaining subcomponents requires that you remove the display assembly from the computer.

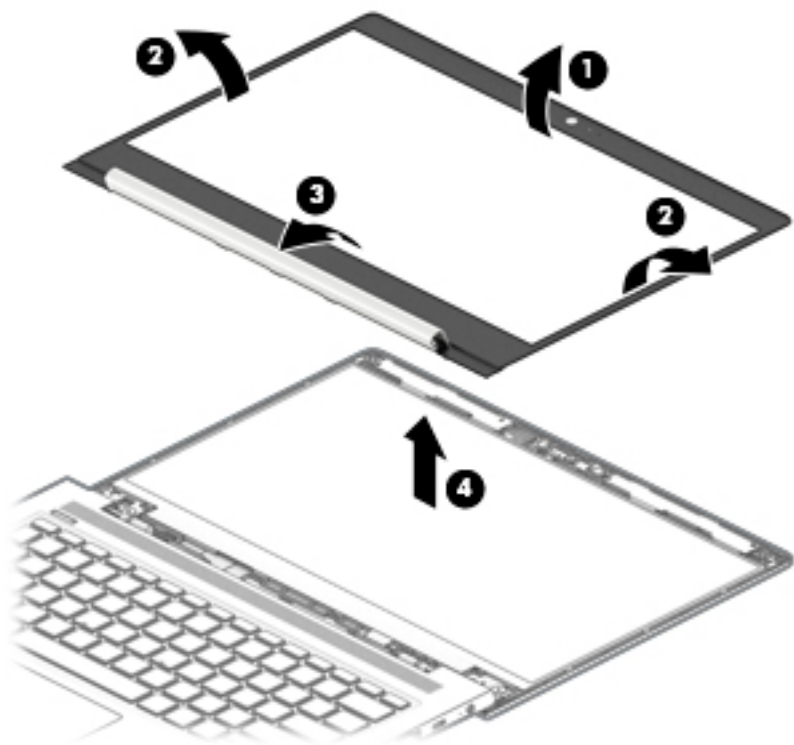
1. Flex the top **(1)** of the bezel, the inside edges of the left and right sides **(2)**, and the bottom **(3)** of the bezel until it disengages from the display enclosure.
2. Remove the display bezel **(4)**.

Bezels are available using the following spare part numbers:

L44518-001: Models with an HD camera

L44519-001: Models with an HD+IR camera

L44520-001: Models without a camera



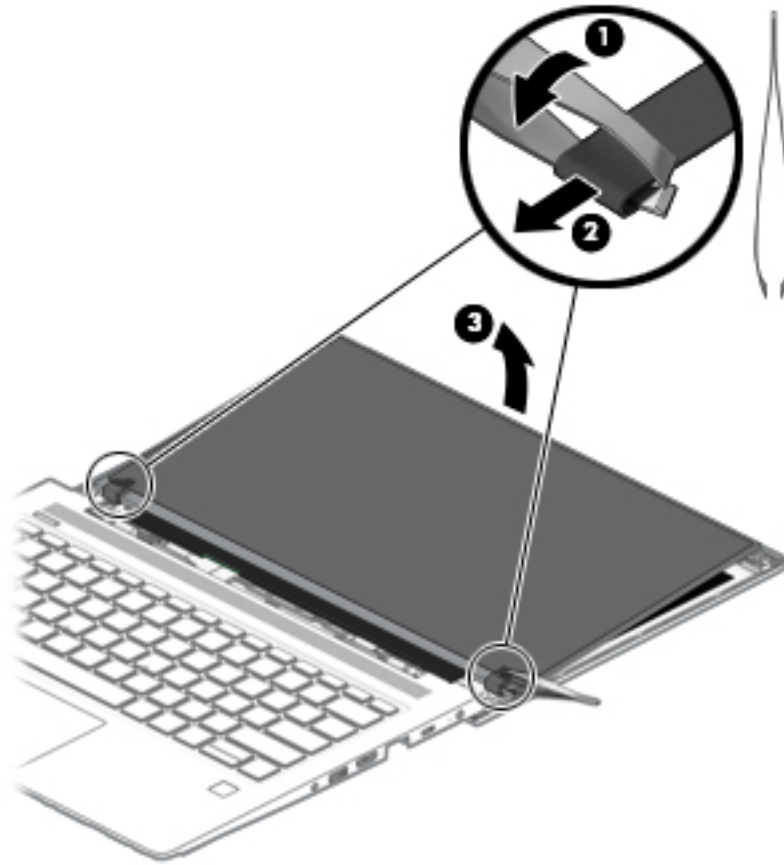
3. If it is necessary to remove or replace the display panel, use a tweezer to grasp the end of the two pieces of tape that secure the bezel to the display enclosure **(1)**. The tape is positioned under the left and right sides of the display panel.

4. Working up the side of the display panel, pull the tape out from behind both the left and right sides of the panel **(2)**. You must pull the tape multiple times before it is completely removed.
5. Lift the display panel off the display enclosure **(3)**.

Display panels are available using the following spare part numbers:

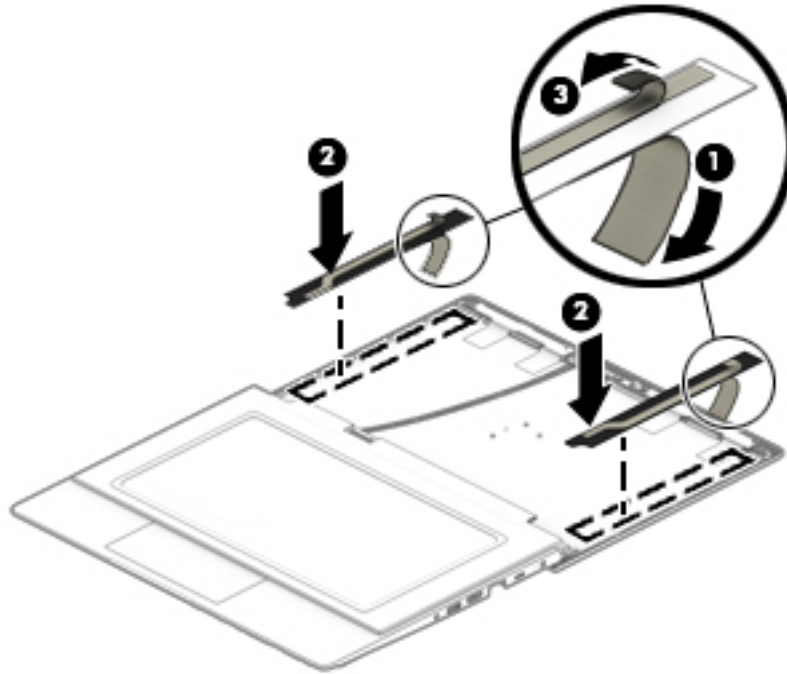
L44530-001: FHD displays

L44534-001: HD displays

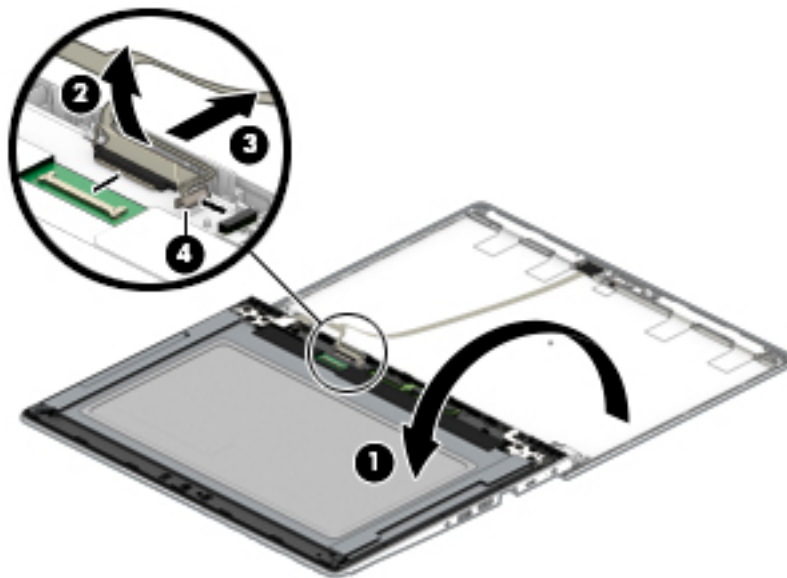


6. Use the following steps to install a display panel:
 - a. Remove the backing from the bottom of the new tape to install in the display enclosure **(1)**.
 - b. Install the tape onto the left and right sides of the enclosure **(2)**.
 - c. Remove the backing from the top of the installed tape **(3)**.

- d. Rotate the panel into place in the display enclosure.

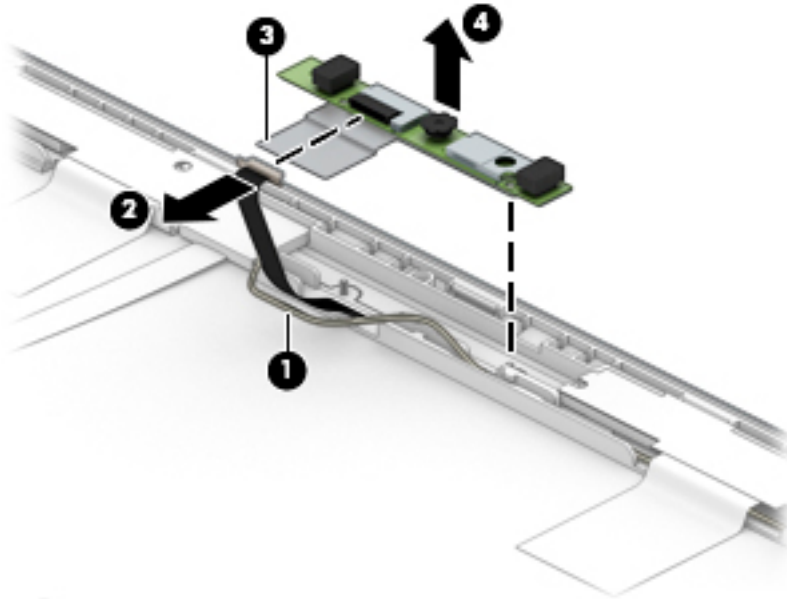


7. Rotate the display panel onto the keyboard **(1)** to gain access to the display cable connector on the back of the panel.
8. Lift the tape from atop the connector on the display panel **(2)**, disconnect the cable from the panel **(3)**, and then disconnect the cable from the touch control board **(4)**.
9. Remove the panel.



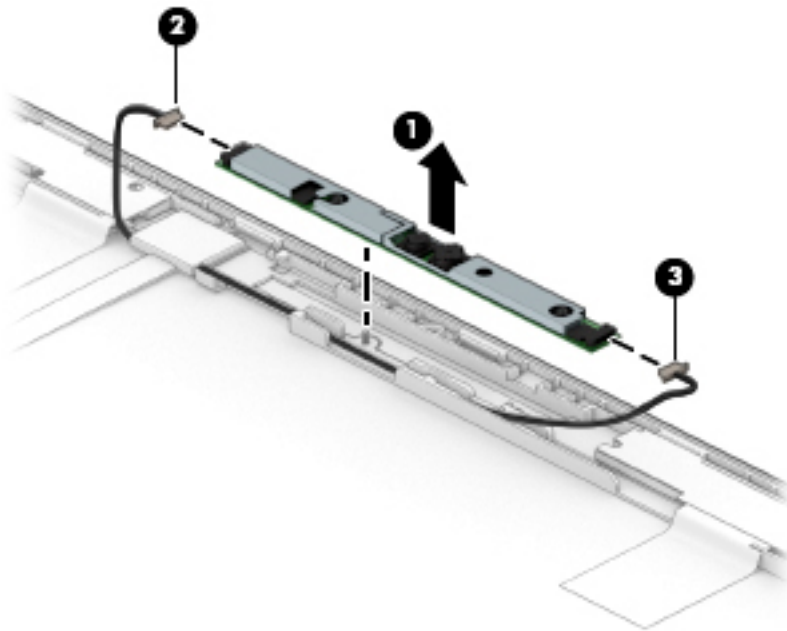
10. If it is necessary to remove or replace the HD camera, lift the LVDS cable that routes on top of the module (1), disconnect the cable from the camera (2), and then peel the silver tape up (3) to remove the module from the enclosure (4).


The HD camera is available using spare part number L44539-001.



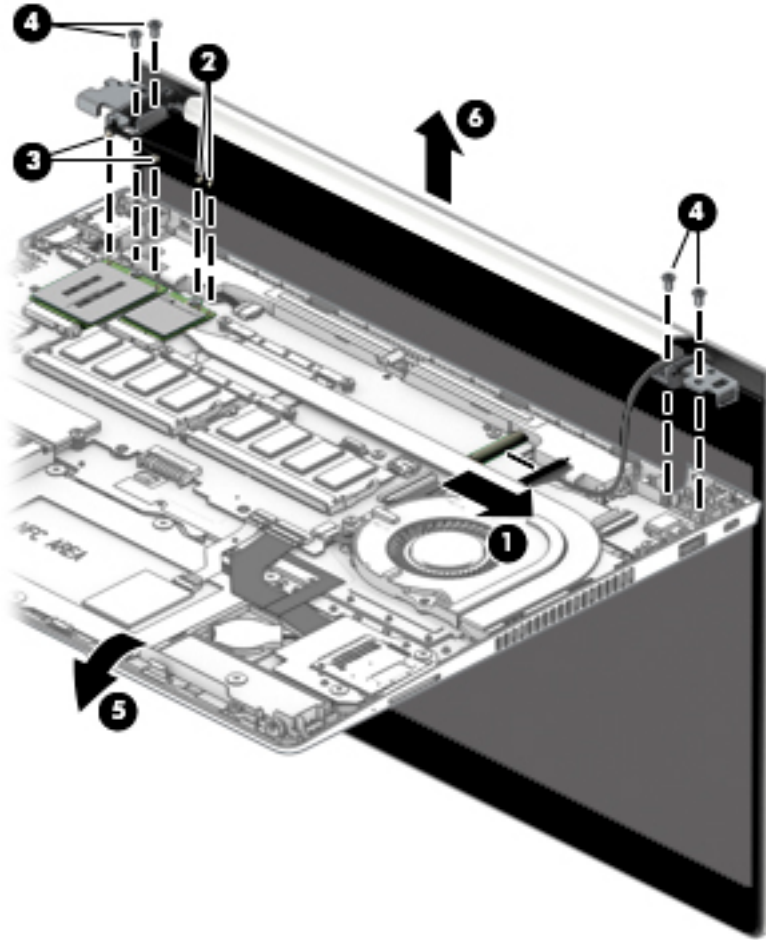
11. If it is necessary to remove or replace the IR camera, peel the camera module up to remove it from the adhesive that secures it to the enclosure (1), and then disconnect the cable from the left (2) and right (3) sides of the camera.

The HD+IR camera is available using spare part number L44540-001.



 **NOTE:** You must remove the display assembly from the computer to remove the remaining display subcomponents.

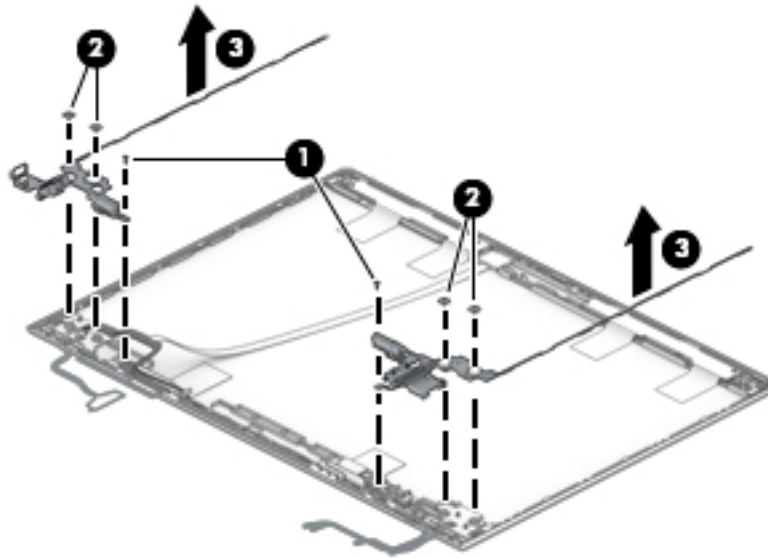
12. If it is necessary to remove the display assembly from the computer:
 - a. Disconnect the display cable from the system board (1).
 - b. Disconnect the antennas from the WLAN module (2) (select models only).
 - c. Disconnect the antennas from the WWAN module (3) (select models only).
 - d. Remove the four Torx T8 2.5×4.0 screws (4) that secure the display assembly to the computer.
 - e. Rotate the display to open the hinges (5), and then separate the display from the computer (6).



13. If it is necessary to remove the hinges from the display enclosure, remove the Phillips M2.0×4.0 screw (1) and the two Phillips broad head M2.5×2.5 screws (2) from the bottom of each hinge.

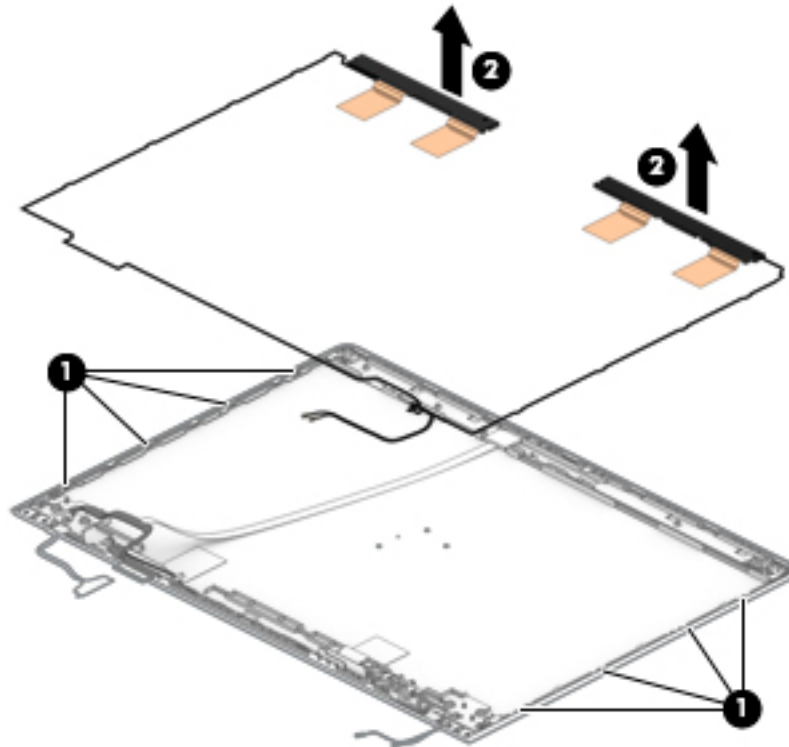
14. Lift the hinges from the enclosure (3).

The display hinges are available using spare part number L44524-001.



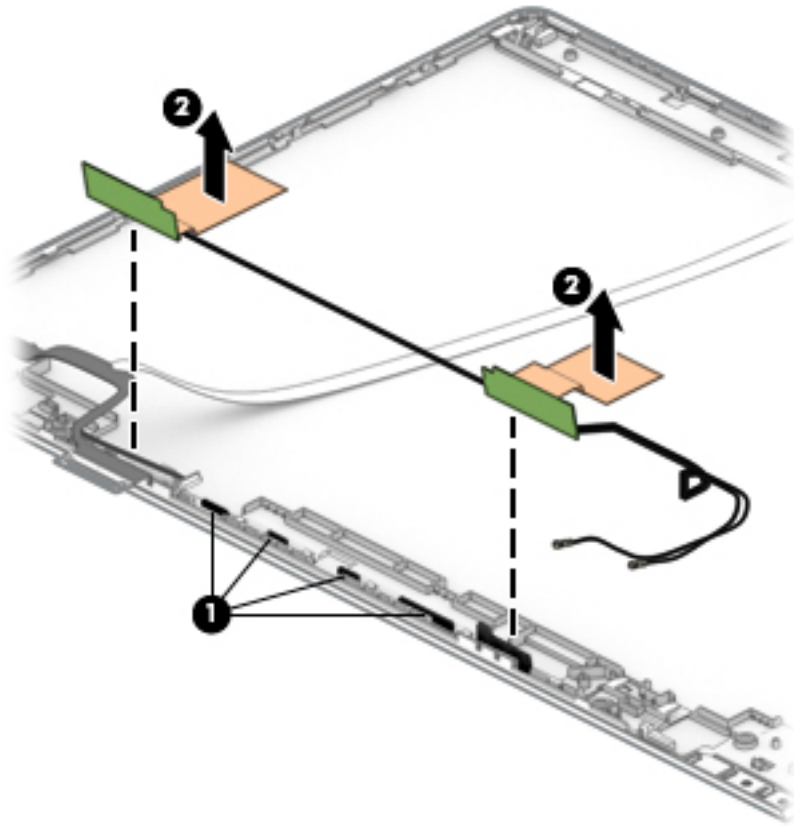
15. If it is necessary to replace the WWAN antennas, remove the cables from the clips in the sides of the enclosure (1), and then peel antennas and remove them from the enclosure (2).

WWAN antennas are available using spare part number L44544-001.



16. If it is necessary to replace the WLAN antennas, remove the cables from the clips in the bottom of the enclosure (1), and then peel the antennas and remove them from the display enclosure (2).

WLAN antennas are available spare part number L44543-001.



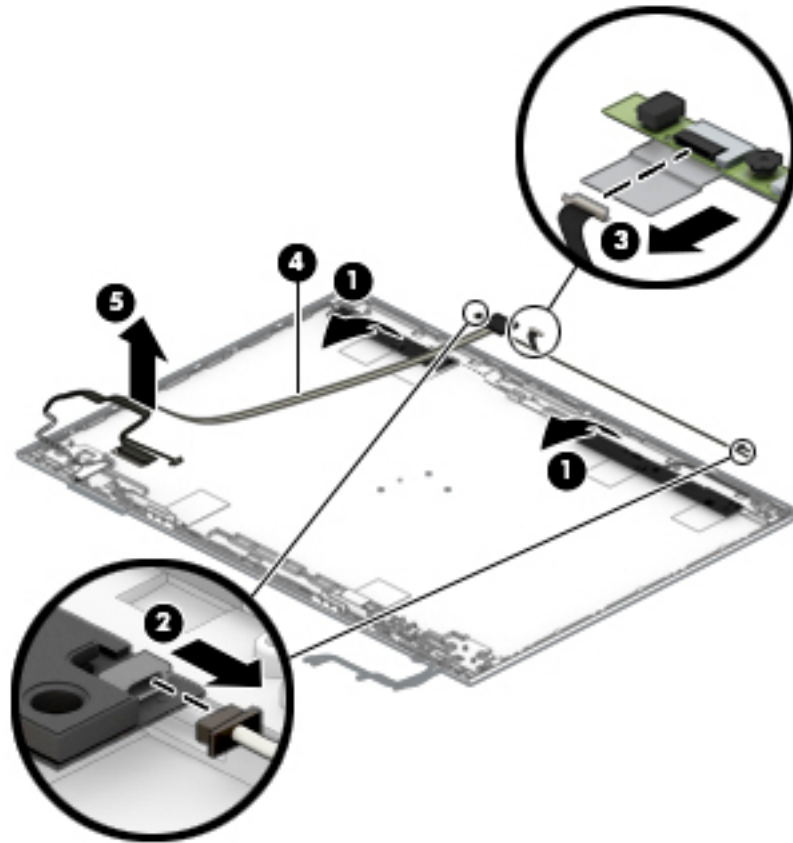
17. If it is necessary to remove or replace the display/camera cable, use the following steps:

Displays with an HD camera and WWAN

- a. Rotate the WWAN antennas (1), and then disconnect the WWAN cable (2).
- b. Disconnect the cable from the ZIF connector on the camera module (3).

- c. Pull the cable up to disengage it from the adhesive that secures it to the inside of the enclosure **(4)**, and then remove the cable from the enclosure **(5)**.

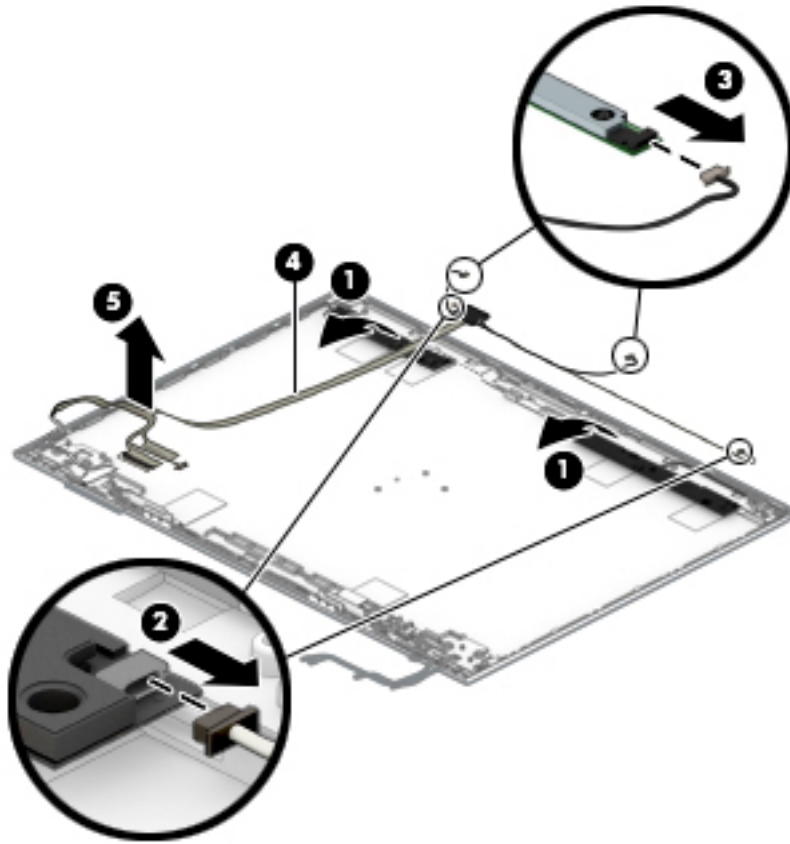
The display/camera cable for models with an HD camera and WWAN is available using spare part number .



Displays with an IR camera and WWAN

- a. Rotate the WWAN antennas **(1)**, and then disconnect the WWAN cable **(2)**.
- b. Disconnect the cable from the connector on both ends of the camera module **(3)**.

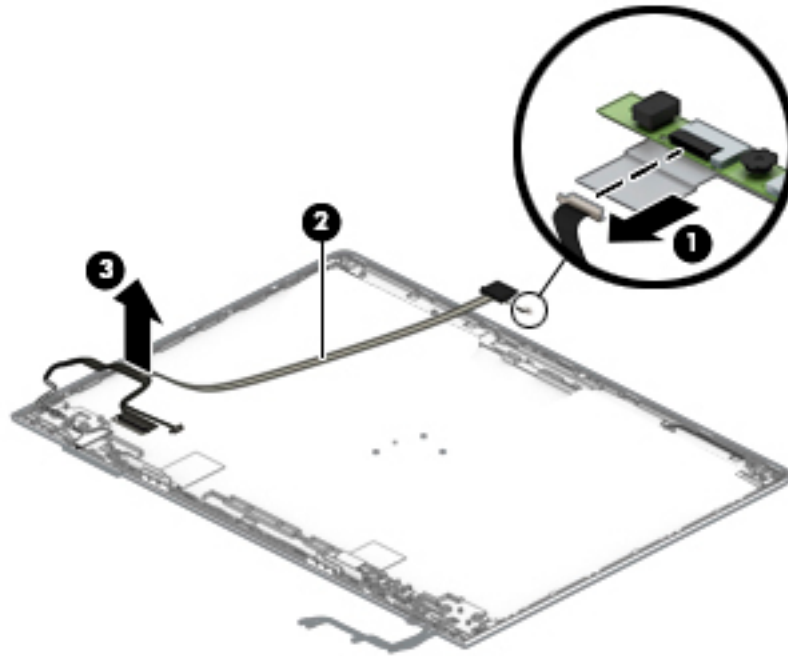
- c. Pull the cable up to disengage it from the adhesive that secures it to the inside of the enclosure **(4)**, and then remove the cable from the enclosure **(5)**.



Displays with an HD camera, without WWAN

- a. Disconnect the cable from the ZIF connector on the camera module **(1)**.

- b. Pull the cable up to disengage it from the adhesive that secures it to the inside of the enclosure (2), and then remove the cable from the enclosure (3).



Reverse this procedure to reassemble the non-touch display assembly.

Power connector cable

Table 6-10 Spare part description and number

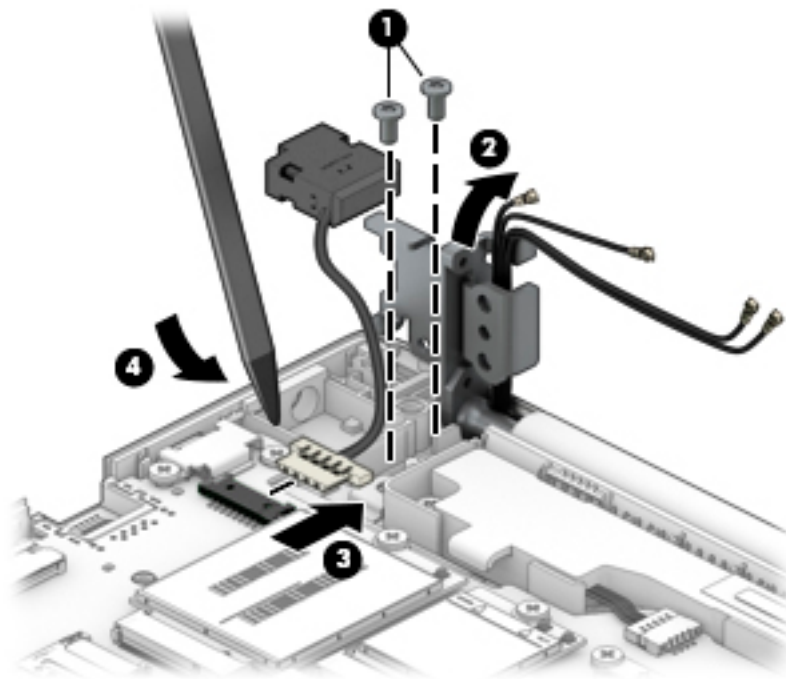
Description	Spare part number
Power connector cable	L01048-001

Before removing the power connector cable, follow these steps:

1. Prepare the computer for disassembly ([Preparation for disassembly on page 36](#)).
2. Place the computer in “Battery Safe mode” ([Battery Safe mode on page 36](#)).
3. Remove the bottom cover ([Bottom cover on page 37](#)).
4. Remove the battery ([Battery on page 38](#)).
5. On models with a WLAN module, disconnect the antenna cables from the WLAN module ([WLAN/Bluetooth combo card on page 41](#)).
6. On models with a WWAN module, disconnect the antenna cables from the WWAN module ([WWAN module on page 43](#)).

Remove the power connector cable:

1. Remove the two Torx T8 2.5×4.0 screws from the right hinge **(1)**.
2. Rotate the hinge up from atop the power connector **(2)**.
3. Disconnect the cable from the system board **(3)**.
4. Use a tool to lever the connector up and out of the computer **(4)**.



Reverse this procedure to install the power connector cable.

Keyboard/top cover

The top cover with keyboard remains after removing all other spared parts from the computer.

In this section, the first table provides the main spare part number for the keyboards. The second table provides the country codes.

Table 6-11 Spare part description and number

Description	Spare part number
Keyboard/top cover, no backlight	L44548-xx1
Keyboard/top cover, backlit	L44547-xx1

Table 6-12 Spare part country codes

For use in country or region	Spare part number	For use in country or region	Spare part number	For use in country or region	Spare part number
Belgium	-A41	Iceland	-DD1	Slovenia	-BA1
Brazil	-201	India	-D61	South Korea	-AD1
Bulgaria	-261	Israel	-BB1	Spain	-071
Chile	-161	Italy	-061	Switzerland	-BG1
Czech Republic/Slovakia	-FL1	Japan	-291	Taiwan	-AB1
Denmark, Finland, and Norway	-DH1	The Netherlands	-B31	Thailand	-281
French Canada	-DB1	Northern Africa	-FP1	Turkey	-141
France	-051	Portugal	-131	Ukraine	-BD1
Germany	-041	Russia	-251	United Kingdom	-031
Greece	-151	Saudi Arabia	-171	United States	-001
Hungary	-211				

7 Computer Setup (BIOS), TPM, and HP Sure Start

Using Computer Setup

Computer Setup, or Basic Input/Output System (BIOS), controls communication between all the input and output devices on the system (such as disk drives, display, keyboard, mouse, and printer). Computer Setup includes settings for the types of devices installed, the startup sequence of the computer, and the amount of system and extended memory.

 **NOTE:** Use extreme care when making changes in Computer Setup. Errors can prevent the computer from operating properly.

Starting Computer Setup

- ▲ Turn on or restart the computer, and when the HP logo appears, press **f10** to enter Computer Setup.

Navigating and selecting in Computer Setup

- To select a menu or a menu item, use the **tab** key and the keyboard arrow keys and then press **enter**, or use a pointing device to select the item.
- To scroll up and down, select the up arrow or the down arrow in the upper-right corner of the screen, or use the up arrow key or the down arrow key on the keyboard.
- To close open dialog boxes and return to the main Computer Setup screen, press **esc**, and then follow the on-screen instructions.

To exit Computer Setup, choose one of the following methods:

- To exit Computer Setup menus without saving your changes, select **Main**, select **Ignore Changes and Exit**, and then select **Yes**.

 **NOTE:** If you are using arrow keys to highlight your choice, you must then press **enter**.

- To save your changes and exit Computer Setup menus, select **Main**, select **Save Changes and Exit**, and then select **Yes**.

 **NOTE:** If you are using arrow keys to highlight your choice, you must then press **enter**.

Your changes go into effect when the computer restarts.


Restoring factory settings in Computer Setup

 **NOTE:** Restoring defaults will not change the hard drive mode.

To return all settings in Computer Setup to the values that were set at the factory, follow these steps:

1. Start Computer Setup. See [Starting Computer Setup on page 82](#).
2. Select **Main**, select **Apply Factory Defaults and Exit**, and then select **Yes**.

 **NOTE:** If you are using arrow keys to highlight your choice, you must then press **enter**.

 **NOTE:** On select products, the selections may display **Restore Defaults** instead of **Apply Factory Defaults and Exit**.

Your changes go into effect when the computer restarts.

 **NOTE:** Your password settings and security settings are not changed when you restore the factory settings.

Updating the BIOS

Updated versions of the BIOS may be available on the HP website.

Most BIOS updates on the HP website are packaged in compressed files called *SoftPaqs*.

Some download packages contain a file named *Readme.txt*, which contains information regarding installing and troubleshooting the file.

Determining the BIOS version

To decide whether you need to update Computer Setup (BIOS), first determine the BIOS version on your computer.


BIOS version information (also known as *ROM date* and *System BIOS*) can be accessed by pressing **fn+esc** (if you are already in Windows) or by using Computer Setup.

1. Start Computer Setup. See [Starting Computer Setup on page 82](#).
2. Select **Main**, and then select **System Information**.
3. To exit Computer Setup menus without saving your changes, select **Main**, select **Ignore Changes and Exit**, and then select **Yes**.

 **NOTE:** If you are using arrow keys to highlight your choice, you must then press **enter**.

To check for later BIOS versions, see [Downloading a BIOS update on page 83](#).

Downloading a BIOS update

 **CAUTION:** To reduce the risk of damage to the computer or an unsuccessful installation, download and install a BIOS update only when the computer is connected to reliable external power using the AC adapter. Do not download or install a BIOS update while the computer is running on battery power, docked in an optional docking device, or connected to an optional power source. During the download and installation, follow these instructions:

Do not disconnect power on the computer by unplugging the power cord from the AC outlet.


Do not shut down the computer or initiate Sleep.

Do not insert, remove, connect, or disconnect any device, cable, or cord.

1. Type `support` in the taskbar search box, and then select the HP Support Assistant app.
– or –
Select the question mark icon in the taskbar.
2. Select **Updates**, and then select **Check for updates and messages**.
3. Follow the on-screen instructions.
4. At the download area, follow these steps:

- a. Identify the most recent BIOS update and compare it to the BIOS version currently installed on your computer. Make a note of the date, name, or other identifier. You may need this information to locate the update later, after it has been downloaded to your hard drive.
- b. Follow the on-screen instructions to download your selection to the hard drive.

Make a note of the path to the location on your hard drive where the BIOS update is downloaded. You will need to access this path when you are ready to install the update.


 **NOTE:** If you connect your computer to a network, consult the network administrator before installing any software updates, especially system BIOS updates.

BIOS installation procedures vary. Follow any instructions that are displayed on the screen after the download is complete. If no instructions are displayed, follow these steps:

1. Type *file* in the taskbar search box, and then select **File Explorer**.
2. Select your hard drive designation. The hard drive designation is typically Local Disk (C:).
3. Using the hard drive path you recorded earlier, open the folder that contains the update.
4. Double-click the file that has an .exe extension (for example, *filename.exe*).

The BIOS installation begins.

5. Complete the installation by following the on-screen instructions.


 **NOTE:** After a message on the screen reports a successful installation, you can delete the downloaded file from your hard drive.

Changing the boot order using the f9 prompt

To dynamically choose a boot device for the current startup sequence, follow these steps:

1. Access the Boot Device Options menu:
 - Turn on or restart the computer, and when the HP logo appears, press **f9** to enter the Boot Device Options menu.
2. Select a boot device, press **enter**, and then follow the on-screen instructions.

TPM BIOS settings (select products only)

 **IMPORTANT:** Before enabling Trusted Platform Module (TPM) functionality on this system, you must ensure that your intended use of TPM complies with relevant local laws, regulations and policies, and approvals or licenses must be obtained if applicable. For any compliance issues arising from your operation/usage of TPM which violates the above mentioned requirement, you shall bear all the liabilities wholly and solely. HP will not be responsible for any related liabilities.

TPM provides additional security for your computer. You can modify the TPM settings in Computer Setup (BIOS).

 **NOTE:** If you change the TPM setting to Hidden, TPM is not visible in the operating system.

To access TPM settings in Computer Setup:

1. Start Computer Setup. See [Starting Computer Setup on page 82](#).
2. Select **Security**, select **TPM Embedded Security**, and then follow the on-screen instructions.

Using HP Sure Start (select products only)

Select computer models are configured with HP Sure Start, a technology that monitors the computer's BIOS for attacks or corruption. If the BIOS becomes corrupted or is attacked, HP Sure Start automatically restores the BIOS to its previously safe state, without user intervention.

HP Sure Start is configured and already enabled so that most users can use the HP Sure Start default configuration. The default configuration can be customized by advanced users.

To access the latest documentation on HP Sure Start, go to <http://www.hp.com/support>. Select **Find your product**, and then follow the on-screen instructions.

8 Using HP PC Hardware Diagnostics

Using HP PC Hardware Diagnostics Windows (select products only)

HP PC Hardware Diagnostics Windows is a Windows-based utility that allows you to run diagnostic tests to determine whether the computer hardware is functioning properly. The tool runs within the Windows operating system in order to diagnose hardware failures.

If HP PC Hardware Diagnostics Windows is not installed on your computer, first you must download and install it. To download HP PC Hardware Diagnostics Windows, see [Downloading HP PC Hardware Diagnostics Windows on page 86](#).


After HP PC Hardware Diagnostics Windows is installed, follow these steps to access it from HP Help and Support or HP Support Assistant.

1. To access HP PC Hardware Diagnostics Windows from HP Help and Support:
 - a. Select the **Start** button, and then select **HP Help and Support**.
 - b. Right-click **HP PC Hardware Diagnostics Windows**, select **More**, and then select **Run as administrator**.

– or –

To access HP PC Hardware Diagnostics Windows from HP Support Assistant:

- a. Type `support` in the taskbar search box, and then select the **HP Support Assistant** app.
 - or –
 - Select the question mark icon in the taskbar.
 - b. Select **Troubleshooting and fixes**.
 - c. Select **Diagnostics**, and then select **HP PC Hardware Diagnostics Windows**.
2. When the tool opens, select the type of diagnostic test you want to run, and then follow the on-screen instructions.

 **NOTE:** If you need to stop a diagnostic test at any time, select **Cancel**.

When HP PC Hardware Diagnostics Windows detects a failure that requires hardware replacement, a 24-digit Failure ID code is generated. The screen displays one of the following options:

- A Failure ID link is displayed. Select the link and follow the on-screen instructions.
- A Quick Response (QR) code is displayed. With a mobile device, scan the code and then follow the on-screen instructions.
- Instructions for calling support are displayed. Follow those instructions.

Downloading HP PC Hardware Diagnostics Windows

- The HP PC Hardware Diagnostics Windows download instructions are provided in English only.
- You must use a Windows computer to download this tool because only .exe files are provided.


Downloading the latest HP PC Hardware Diagnostics Windows version

To download HP PC Hardware Diagnostics Windows, follow these steps:

1. Go to <http://www.hp.com/go/techcenter/pcdiags>. The HP PC Diagnostics home page is displayed.
2. Select **Download HP Diagnostics Windows**, and then select a location on your computer or a USB flash drive.

The tool is downloaded to the selected location.

Downloading HP Hardware Diagnostics Windows by product name or number (select products only)

 **NOTE:** For some products, it may be necessary to download the software to a USB flash drive by using the product name or number.

To download HP PC Hardware Diagnostics Windows by product name or number, follow these steps:

1. Go to <http://www.hp.com/support>.
2. Select **Get software and drivers**, select your type of product, and then enter the product name or number in the search box that is displayed.
3. In the **Diagnostics** section, select **Download**, and then follow the on-screen instructions to select the specific Windows diagnostics version to be downloaded to your computer or USB flash drive.


The tool is downloaded to the selected location.

Installing HP PC Hardware Diagnostics Windows

To install HP PC Hardware Diagnostics Windows, follow these steps:

- ▲ Navigate to the folder on your computer or the USB flash drive where the .exe file was downloaded, double-click the .exe file, and then follow the on-screen instructions.

Using HP PC Hardware Diagnostics UEFI

 **NOTE:** For Windows 10 S computers, you must use a Windows computer and a USB flash drive to download and create the HP UEFI support environment because only .exe files are provided. For more information, see [Downloading HP PC Hardware Diagnostics UEFI to a USB flash drive on page 88](#).

HP PC Hardware Diagnostics UEFI (Unified Extensible Firmware Interface) allows you to run diagnostic tests to determine whether the computer hardware is functioning properly. The tool runs outside the operating system so that it can isolate hardware failures from issues that are caused by the operating system or other software components.


If your PC will not boot into Windows, you can use HP PC Hardware Diagnostics UEFI to diagnose hardware issues.

When HP PC Hardware Diagnostics Windows detects a failure that requires hardware replacement, a 24-digit Failure ID code is generated. For assistance in solving the problem:

- ▲ Select **Get Support**, and then use a mobile device to scan the QR code that displays on the next screen. The HP Customer Support - Service Center page displays, with your Failure ID and product number automatically filled in. Follow the on-screen instructions.

– or –

Contact support, and provide the Failure ID code.

 **NOTE:** To start diagnostics on a convertible computer, your computer must be in notebook mode, and you must use the attached keyboard.

 **NOTE:** If you need to stop a diagnostic test, press `esc`.

Starting HP PC Hardware Diagnostics UEFI

To start HP PC Hardware Diagnostics UEFI, follow these steps:

1. Turn on or restart the computer, and quickly press `esc`.
2. Press `f2`.

The BIOS searches three places for the diagnostic tools, in the following order:

- a. Connected USB flash drive

 **NOTE:** To download the HP PC Hardware Diagnostics UEFI tool to a USB flash drive, see [Downloading the latest HP PC Hardware Diagnostics UEFI version on page 88](#).

- b. Hard drive


- c. BIOS

3. When the diagnostic tool opens, select a language, select the type of diagnostic test you want to run, and then follow the on-screen instructions.

Downloading HP PC Hardware Diagnostics UEFI to a USB flash drive

Downloading HP PC Hardware Diagnostics UEFI to a USB flash drive can be useful in the following situations:

- HP PC Hardware Diagnostics UEFI is not included in the preinstall image.
- HP PC Hardware Diagnostics UEFI is not included in the HP Tool partition.
- The hard drive is damaged.


 **NOTE:** The HP PC Hardware Diagnostics UEFI download instructions are provided in English only, and you must use a Windows computer to download and create the HP UEFI support environment because only .exe files are provided.

Downloading the latest HP PC Hardware Diagnostics UEFI version

To download the latest HP PC Hardware Diagnostics UEFI version to a USB flash drive:

1. Go to <http://www.hp.com/go/techcenter/pcdiags>. The HP PC Diagnostics home page is displayed.
2. Select **Download HP Diagnostics UEFI**, and then select **Run**.

Downloading HP PC Hardware Diagnostics UEFI by product name or number (select products only)

 **NOTE:** For some products, it may be necessary to download the software to a USB flash drive by using the product name or number.

To download HP PC Hardware Diagnostics UEFI by product name or number (select products only) to a USB flash drive:

1. Go to <http://www.hp.com/support>.
2. Enter the product name or number, select your computer, and then select your operating system.
3. In the **Diagnostics** section, follow the on-screen instructions to select and download the specific UEFI Diagnostics version for your computer.

Using Remote HP PC Hardware Diagnostics UEFI settings (select products only)

Remote HP PC Hardware Diagnostics UEFI is a firmware (BIOS) feature that downloads HP PC Hardware Diagnostics UEFI to your computer. It can then execute the diagnostics on your computer, and it may upload results to a preconfigured server. For more information about Remote HP PC Hardware Diagnostics UEFI, go to <http://www.hp.com/go/techcenter/pcdiags>, and then select **Find out more**.

Downloading Remote HP PC Hardware Diagnostics UEFI



NOTE: HP Remote PC Hardware Diagnostics UEFI is also available as a Softpaq that can be downloaded to a server.

Downloading the latest Remote HP PC Hardware Diagnostics UEFI version

To download the latest Remote HP PC Hardware Diagnostics UEFI version, follow these steps:

1. Go to <http://www.hp.com/go/techcenter/pcdiags>. The HP PC Diagnostics home page is displayed.
2. Select **Download Remote Diagnostics**, and then select **Run**.

Downloading Remote HP PC Hardware Diagnostics UEFI by product name or number



NOTE: For some products, it may be necessary to download the software by using the product name or number.

To download HP Remote PC Hardware Diagnostics UEFI by product name or number, follow these steps:

1. Go to <http://www.hp.com/support>.
2. Select **Get software and drivers**, select your type of product, enter the product name or number in the search box that is displayed, select your computer, and then select your operating system.
3. In the **Diagnostics** section, follow the on-screen instructions to select and download the **Remote UEFI** version for the product.

Customizing Remote HP PC Hardware Diagnostics UEFI settings

Using the Remote HP PC Hardware Diagnostics setting in Computer Setup (BIOS), you can perform the following customizations:

- Set a schedule for running diagnostics unattended. You can also start diagnostics immediately in interactive mode by selecting **Execute Remote HP PC Hardware Diagnostics**.
- Set the location for downloading the diagnostic tools. This feature provides access to the tools from the HP website or from a server that has been preconfigured for use. Your computer does not require the traditional local storage (such as a disk drive or USB flash drive) to run remote diagnostics.
- Set a location for storing the test results. You can also set the user name and password settings used for uploads.
- Display status information about the diagnostics run previously.

To customize Remote HP PC Hardware Diagnostics UEFI settings, follow these steps:


1. Turn on or restart the computer, and when the HP logo appears, press **f10** to enter Computer Setup.
2. Select **Advanced**, and then select **Settings**.
3. Make your customization selections.
4. Select **Main**, and then **Save Changes and Exit** to save your settings.

Your changes take effect when the computer restarts.

9 Backing up, restoring, and recovering

This chapter provides information about the following processes, which are standard procedure for most products:


- **Backing up your personal information**—You can use Windows tools to back up your personal information (see [Using Windows tools on page 91](#)).
- **Creating a restore point**—You can use Windows tools to create a restore point (see [Using Windows tools on page 91](#)).
- **Creating recovery media** (select products only)—You can use the HP Cloud Recovery Download Tool (select products only) to create recovery media (see [Using the HP Cloud Recovery Download Tool to create recovery media \(select products only\) on page 91](#)).
- **Restoring and recovery**—Windows offers several options for restoring from backup, refreshing the computer, and resetting the computer to its original state (see [Using Windows tools on page 91](#)).

 **IMPORTANT:** If you will be performing recovery procedures on a tablet, the tablet battery must be at least 70% charged before you start the recovery process.


IMPORTANT: For a tablet with a detachable keyboard, connect the tablet to the keyboard base before beginning any recovery process.

Backing up information and creating recovery media

Using Windows tools


 **IMPORTANT:** Windows is the only option that allows you to back up your personal information. Schedule regular backups to avoid information loss.

You can use Windows tools to back up personal information and create system restore points and recovery media.

 **NOTE:** If computer storage is 32 GB or less, Microsoft System Restore is disabled by default.

For more information and steps, see the Get Help app.

1. Select the **Start** button, and then select the **Get Help** app.
2. Enter the task you want to perform.

 **NOTE:** You must be connected to the Internet to access the Get Help app.

Using the HP Cloud Recovery Download Tool to create recovery media (select products only)

You can use the HP Cloud Recovery Download Tool to create HP Recovery media on a bootable USB flash drive, as follows:

1. Go to <http://www.hp.com/support>.
2. Select **Software and Drivers**, and then follow the on-screen instructions.



NOTE: If you cannot create recovery media yourself, contact support to obtain recovery discs. Go to <http://www.hp.com/support>, select your country or region, and then follow the on-screen instructions.

Restoring and recovery

Restoring, resetting, and refreshing using Windows tools

Windows offers several options for restoring, resetting, and refreshing the computer. For details, see [Using Windows tools on page 91](#).

Recovering using HP Recovery media

HP Recovery media is used to recover the original operating system and software programs that were installed at the factory. On select products, it can be created on a bootable USB flash drive using the HP Cloud Recovery Download Tool. For details, see [Using the HP Cloud Recovery Download Tool to create recovery media \(select products only\) on page 91](#).



NOTE: If you cannot create recovery media yourself, contact support to obtain recovery discs. Go to <http://www.hp.com/support>, select your country or region, and then follow the on-screen instructions.

To recover your system:

- ▲ Insert the HP Recovery media, and then restart the computer.

Changing the computer boot order

If your computer does not restart using the HP Recovery media, you can change the computer boot order. This is the order of devices listed in BIOS where the computer looks for startup information. You can change the selection to an optical drive or a USB flash drive, depending on the location of your HP Recovery media.

To change the boot order:



IMPORTANT: For a tablet with a detachable keyboard, connect the tablet to the keyboard base before beginning these steps.

1. Insert the HP Recovery media.
2. Access the system **Startup** menu.

For computers or tablets with keyboards attached:

- ▲ Turn on or restart the computer or tablet, quickly press **esc**, and then press **f9** for boot options.

For tablets without keyboards:

- ▲ Turn on or restart the tablet, quickly hold down the volume up button, and then select **f9**.

– or –

Turn on or restart the tablet, quickly hold down the volume down button, and then select **f9**.

3. Select the optical drive or USB flash drive from which you want to boot, and then follow the on-screen instructions.

10 Specifications

Computer specifications

Table 10-1 Computer specifications

	Metric	U.S.
Dimensions		
Depth	23.1 cm	9.09 in
Width	30.9 cm	12.15 in
Height (non-touch)	1.8 cm	0.71 in
Height (touch)	1.9 cm	0.75 in
Weight		
Non-touch, M.2 SSD,	1.49 kg	3.28 lbs
Non-touch, hard drive	1.59 kg	3.50 lbs
Touch, M.2 SSD,	1.68 kg	3.70 lbs
Touch, hard drive	1.78 kg	3.92 lbs
Input power		
Operating voltage	19.0 V dc @ 4.74 A – 90 W or 18.5 V dc @ 3.5 A - 65 W	
Operating current	4.74 A or 3.5 A	
Temperature		
Operating (not writing to optical disc)	0°C to 35°C	32°F to 95°F
Operating (writing to optical disc)	5°C to 35°C	41°F to 95°F
Nonoperating	-20°C to 60°C	-4°F to 140°F
Relative humidity		
Operating	10% to 90%	
Nonoperating	5% to 95%	
Maximum altitude (unpressurized)		
Operating (14.7 to 10.1 psia)	-15 m to 3,048 m	50 ft to 10,000 ft
Nonoperating (14.7 to 4.4 psia)	-15 m to 12,192 m	-50 ft to 40,000 ft
Shock		
Operating	125 g, 2 ms, half-sine	
Nonoperating	200 g, 2 ms, half-sine	

NOTE: Applicable product safety standards specify thermal limits for plastic surfaces. The computer operates well within this range of temperatures.

33.8-cm (13.3-in) display specifications

Table 10-2 Display specifications

	Metric	U.S.
Active diagonal size	33.8-cm	13.3-in
Resolution	1366 × 768 (HD) 1920 × 1080 (FHD)	
Surface treatment	Anti-glare	
Brightness	220 nits (typical)	
Viewing angle	SVA (HD) UWVA (FHD)	
Backlight	LED	

Hard drive specifications

Table 10-3 Hard drive specifications

	1 TB*	500 GB*
Dimensions		
Height	7.0 mm	7.0 mm
Width	70 mm	70 mm
Weight	115 g	101 g or 95 g
Interface type	SATA	SATA
Transfer rate	100 MB/sec	100 MB/sec
Security	ATA security	ATA security
Seek times (typical read, including setting)		
Single track	1.4 ms	3 ms
Average	10 ms	13 ms
Maximum	12 ms	24 ms
Logical blocks	1,938,921,461	1,048,576,000
Disc rotational speed	5400 rpm	7200 rpm or 5400 rpm
Operating temperature		
*1 GB = 1 billion bytes when referring to hard drive storage capacity. Actual accessible capacity is less. Actual drive specifications may differ slightly.		
NOTE: Certain restrictions and exclusions apply. Contact technical support for details.		

Solid-state drive specifications

Table 10-4 Solid-state drive specifications


	128 GB*	256 GB*	512 GB*
Height	1.0 mm	1.0 mm	1.0 mm
Length	50.8 mm	50.8 mm	50.8 mm
Width	28.9 mm	28.9 mm	28.9 mm
Weight	< 10 g	< 10 g	< 10 g
Transfer rate			
Sequential read	up to 2150 MB/sec	up to 2150 MB/sec	up to 2150 MB/sec
Random read	Up to 300,000 IOPs	Up to 300,000 IOPs	Up to 300,000 IOPs
Sequential write	up to 1260 MB/sec	up to 1550 MB/sec	up to 1550 MB/sec
Random write	Up to 100,000 IOPs	Up to 100,000 IOPs	Up to 100,000 IOPs
Interface type	SATA-3	PCIe	PCIe
Ready time, maximum (to not busy)	1.0 ms	< 1.0 ms	< 1.0 ms
Access times, logical	0.1 ms	0.1 ms	0.1 ms
Total logical sectors	234,441,648	468,883,296	1,000,215,216
Operating temperature	0°C to 70°C (32°F to 158°F)		
*1 GB = 1 billion bytes when referring to hard drive storage capacity. Actual accessible capacity is less. Actual drive specifications may differ slightly.			
NOTE: Certain restrictions and exclusions apply. Contact technical support for details.			

11 Statement of memory volatility

The purpose of this chapter is to provide general information regarding nonvolatile memory in HP Business computers. This chapter also provides general instructions for restoring nonvolatile memory that can contain personal data after the system has been powered off and the hard drive has been removed.

HP Business computer products that use Intel®-based or AMD®-based system boards contain volatile DDR memory. The amount of nonvolatile memory present in the system depends upon the system configuration. Intel-based and AMD-based system boards contain nonvolatile memory subcomponents as originally shipped from HP, assuming that no subsequent modifications have been made to the system and assuming that no applications, features, or functionality have been added to or installed on the system.

Following system shutdown and removal of all power sources from an HP Business computer system, personal data can remain on volatile system memory (DIMMs) for a finite period of time and will also remain in nonvolatile memory. Use the steps below to remove personal data from the computer, including the nonvolatile memory found in Intel-based and AMD-based system boards.

 **NOTE:** If your tablet has a keyboard base, connect to the keyboard base before beginning steps in this chapter.

Current BIOS steps

1. Follow steps (a) through (l) below to restore the nonvolatile memory that can contain personal data. Restoring or reprogramming nonvolatile memory that does not store personal data is neither necessary nor recommended.
 - a. Turn on or restart the computer, and then press **esc** while the “Press the ESC key for Startup Menu” message is displayed at the bottom of the screen.

 **NOTE:** If the system has a BIOS administrator password, enter the password at the prompt.


- b. Select **Main**, select **Apply Factory Defaults and Exit**, and then select **Yes** to load defaults.
The computer will reboot.
 - c. During the reboot, press **esc** while the “Press the ESC key for Startup Menu” message is displayed at the bottom of the screen.


 **NOTE:** If the system has a BIOS administrator password, enter the password at the prompt.

- d. Select the **Security** menu, select **Restore Security Settings to Factory Defaults**, and then select **Yes** to restore security level defaults.
The computer will reboot.
 - e. During the reboot, press **esc** while the “Press the ESC key for Startup Menu” message is displayed at the bottom of the screen.

 **NOTE:** If the system has a BIOS administrator password, enter the password at the prompt.

- f. If an asset or ownership tag is set, select the **Security** menu and scroll down to the **Utilities** menu. Select **System IDs**, and then select **Asset Tracking Number**. Clear the tag, and then make the selection to return to the prior menu.

- g. If a DriveLock password is set, select the **Security** menu, and scroll down to **Hard Drive Utilities** under the **Utilities** menu. Select **Hard Drive Utilities**, select **DriveLock**, then uncheck the checkbox for **DriveLock password on restart**. Select **OK** to proceed.
 - h. Select the **Main** menu, and then select **Reset BIOS Security to factory default**. Click **Yes** at the warning message.
The computer will reboot.
 - i. During the reboot, press **esc** while the “Press the ESC key for Startup Menu” message is displayed at the bottom of the screen.
-
-  **NOTE:** If the system has a BIOS administrator password, enter the password at the prompt.
- j. Select the **Main** menu, select **Apply Factory Defaults and Exit**, select **Yes** to save changes and exit, and then select **Shutdown**.
 - k. Reboot the system. If the system has a Trusted Platform Module (TPM) and/or fingerprint sensor, one or two prompts will appear—one to clear the TPM and the other to Reset Fingerprint Sensor; press or tap **F1** to accept or **F2** to reject.
 - l. Remove all power and system batteries for at least 24 hours.
2. Complete one of the following:
- Remove and retain the storage drive.
 - or –
 - Clear the drive contents by using a third party utility designed to erase data from an SSD.
 - or –
 - Clear the contents of the drive by using the following BIOS Setup Secure Erase command option steps:

 **IMPORTANT:** If you clear data using Secure Erase, it cannot be recovered.

- a. Turn on or restart the computer, and then press **esc** while the “Press the ESC key for Startup Menu” message is displayed at the bottom of the screen.
- b. Select the **Security** menu and scroll down to the **Utilities** menu.
- c. Select **Hard Drive Utilities**.
- d. Under **Utilities**, select **Secure Erase**, select the hard drive storing the data you want to clear, and then follow the on-screen instructions to continue.

Nonvolatile memory usage

Table 11-1 Nonvolatile memory usage

Nonvolatile Memory Type	Amount (Size)	Does this memory store customer data?	Does this memory retain data when power is removed?	What is the purpose of this memory?	How is data input into this memory?	How is this memory write-protected?
HP Sure Start flash (select models only)	8 MBytes	No	Yes	Provides protected backup of critical System BIOS code, EC firmware, and critical computer configuration data for select platforms that support HP Sure Start. For more information, see Using HP Sure Start (select models only) on page 101 .	Data cannot be written to this device via the host processor. The content is managed solely by the HP Sure Start Embedded Controller.	This memory is protected by the HP Sure Start Embedded Controller.
Real Time Clock (RTC) battery backed-up CMOS configuration memory	256 Bytes	No	Yes	Stores system date and time and noncritical data.	RTC battery backed-up CMOS is programmed using the Computer Setup (BIOS), or changing the Microsoft Windows date & time.	This memory is not write-protected.
Controller (NIC) EEPROM	64 KBytes (not customer accessible)	No	Yes	Stores NIC configuration and NIC firmware.	NIC EEPROM is programmed using a utility from the NIC vendor that can be run from DOS.	A utility is required to write data to this memory and is available from the NIC vendor. Writing data to this ROM in an inappropriate manner will render the NIC non-functional.
DIMM Serial Presence Detect (SPD) configuration data	256 Bytes per memory module, 128 Bytes programmable (not customer accessible)	No	Yes	Stores memory module information.	DIMM SPD is programmed by the memory vendor.	Data cannot be written to this memory when the module is installed in a computer. The specific write-protection method varies by memory vendor.
System BIOS	9 MBytes	Yes	Yes	Stores system BIOS code and computer configuration data.	System BIOS code is programmed at the factory. Code is updated when the system BIOS is updated. Configuration data and settings are input using the Computer Setup (BIOS) or a custom utility.	NOTE: Writing data to this ROM in an inappropriate manner can render the computer non-functional. A utility is required for writing data to this memory and is available on the HP website; go to http://www.hp.com/

Table 11-1 Nonvolatile memory usage (continued)

Nonvolatile Memory Type	Amount (Size)	Does this memory store customer data?	Does this memory retain data when power is removed?	What is the purpose of this memory?	How is data input into this memory?	How is this memory write-protected?
Intel Management Engine Firmware (present only in select Elite or Z models. For more information, go to http://www.hp.com/support . Select Find your product , and then follow the on-screen instructions.)	1.5 MBytes or 7 MBytes	Yes	Yes	Stores Management Engine Code, Settings, Provisioning Data and iAMT third-party data store.	Management Engine Code is programmed at the factory. Code is updated via Intel secure firmware update utility. Unique Provisioning Data can be entered at the factory or by an administrator using the Management Engine (MEBx) setup utility. The third party data store contents can be populated by a remote management console or local applications that have been registered by an administrator to have access to the space.	support . Select Find your product , and then follow the on-screen instructions. The Intel chipset is configured to enforce hardware protection to block all direct read/write access to this area. An Intel utility is required for updating the firmware. Only firmware updates digitally signed by Intel can be applied using this utility.
Bluetooth flash (select products only)	2 Mbit	No	Yes	Stores Bluetooth configuration and firmware.	Bluetooth flash is programmed at the factory. Tools for writing data to this memory are not publicly available but can be obtained from the silicon vendor.	A utility is required for writing data to this memory and is made available through newer versions of the driver whenever the flash requires an upgrade.
802.11 WLAN EEPROM	4 Kbit to 8 Kbit	No	Yes	Stores configuration and calibration data.	802.11 WLAN EEPROM is programmed at the factory. Tools for writing data to this memory are not made public.	A utility is required for writing data to this memory and is typically not made available to the public unless a firmware upgrade is necessary to address a unique issue.
Camera (select products only)	64 Kbit	No	Yes	Stores camera configuration and firmware.	Camera memory is programmed using a utility from the device manufacturer that can be run from Windows.	A utility is required for writing data to this memory and is typically not made available to the public unless a firmware upgrade is necessary to address a unique issue.
Fingerprint sensor (select products only)	512 KByte flash	Yes	Yes	Stores fingerprint templates.	Fingerprint sensor memory is programmed by user enrollment in HP ProtectTools Security Manager.	Only a digitally signed application can make the call to write to the flash.

Questions and answers

1. How can the BIOS settings be restored (returned to factory settings)?



IMPORTANT: Restore defaults does not securely erase any data on your hard drive. See question and answer 6 for steps to securely erase data.

Restore defaults does not reset the Custom Secure Boot keys. See question and answer 7 for information about resetting the keys.

- a. Turn on or restart the computer, and then press **esc** while the “Press the ESC key for Startup Menu” message is displayed at the bottom of the screen.
- b. Select **Main**, and then select **Apply Factory Defaults and Exit**.
- c. Follow the on-screen instructions.
- d. Select **Main**, select **Save Changes and Exit**, and then follow the on-screen instructions.

2. What is a UEFI BIOS, and how is it different from a legacy BIOS?

The Unified Extensible Firmware Interface (UEFI) BIOS is an industry-standard software interface between the platform firmware and an operating system (OS). It is a replacement for the older BIOS architecture, but supports much of the legacy BIOS functionality.

Like the legacy BIOS, the UEFI BIOS provides an interface to display the system information and configuration settings and to change the configuration of your computer before an OS is loaded. BIOS provides a secure run-time environment that supports a Graphic User Interface (GUI). In this environment, you can use either a pointing device (Touchscreen, TouchPad, pointing stick, or USB mouse) or the keyboard to navigate and make menu and configuration selections. The UEFI BIOS also contains basic system diagnostics.

The UEFI BIOS provides functionality beyond that of the legacy BIOS. In addition, the UEFI BIOS works to initialize the computer’s hardware before loading and executing the OS; the run-time environment allows the loading and execution of software programs from storage devices to provide more functionality, such as advanced hardware diagnostics (with the ability to display more detailed system information) and advanced firmware management and recovery software.

HP has provided options in Computer Setup (BIOS) to allow you to run in legacy BIOS, if required by the operating system. Examples of this requirement would be if you upgrade or downgrade the OS.

3. Where does the UEFI BIOS reside?

The UEFI BIOS resides on a flash memory chip. A utility is required to write to the chip.

4. What kind of configuration data is stored on the DIMM Serial Presence Detect (SPD) memory module? How would this data be written?

The DIMM SPD memory contains information about the memory module, such as size, serial number, data width, speed/timing, voltage, and thermal information. This information is written by the module manufacturer and stored on an EEPROM. This EEPROM cannot be written to when the memory module is installed in a computer. Third-party tools do exist that can write to the EEPROM when the memory module is not installed in a computer. Various third-party tools are available to read SPD memory.

5. What is meant by “Restore the nonvolatile memory found in Intel-based system boards”?

This message relates to clearing the Real Time Clock (RTC) CMOS memory that contains computer configuration data.

6. How can the BIOS security be reset to factory defaults and data erased?

 **IMPORTANT:** Resetting will result in the loss of information.

These steps will not reset Custom Secure Boot Keys. See question and answer 7 for information about resetting the keys.

- a. Turn on or restart the computer, and then press **esc** while the “Press the ESC key for Startup Menu” message is displayed at the bottom of the screen.
- b. Select **Main**, and then select **Reset Security to Factory Defaults**.
- c. Follow the on-screen instructions.
- d. Select **Main**, select **Save Changes and Exit**, and then follow the on-screen instructions.

7. How can the Custom Secure Boot Keys be reset?

Secure Boot is a feature to ensure that only authenticated code can start on a platform. If you enabled Secure Boot and created Custom Secure Boot Keys, simply disabling Secure Boot will not clear the keys. You must also select to clear the Custom Secure Boot Keys. Use the same Secure Boot access procedure you used to create the Custom Secure Boot Keys, but make the selection to clear or delete all Secure Boot Keys.

- a. Turn on or restart the computer, and then press **esc** while the “Press the ESC key for Startup Menu” message is displayed at the bottom of the screen.
- b. Select the **Security** menu, select **Secure Boot Configuration**, and then follow the on-screen instructions.
- c. At the **Secure Boot Configuration** window, select **Secure Boot**, select **Clear Secure Boot Keys**, and then follow the on-screen instructions to continue.

Using HP Sure Start (select models only)

Select computer models are configured with HP Sure Start, a technology that continuously monitors your computer's BIOS for attacks or corruption. If the BIOS becomes corrupted or is attacked, HP Sure Start restores the BIOS to its previously safe state, without user intervention. Those select computer models ship with HP Sure Start configured and enabled. HP Sure Start is configured and already enabled so that most users can use the HP Sure Start default configuration. The default configuration can be customized by advanced users.

To access the latest documentation on HP Sure Start, go to <http://www.hp.com/support>. Select **Find your product**, and then follow the on-screen instructions.

12 Power cord set requirements

The wide-range input feature of the computer permits it to operate from any line voltage from 100 to 120 V ac, or from 220 to 240 V ac.

The 3-conductor power cord set included with the computer meets the requirements for use in the country or region where the equipment is purchased.

Power cord sets for use in other countries or regions must meet the requirements of the country and region where the computer is used.

Requirements for all countries

The following requirements are applicable to all countries and regions:

- The length of the power cord set must be at least **1.0 m** (3.3 ft) and no more than **2.0 m** (6.5 ft).
- All power cord sets must be approved by an acceptable accredited agency responsible for evaluation in the country or region where the power cord set will be used.
- The power cord sets must have a minimum current capacity of 10 A and a nominal voltage rating of 125 or 250 V ac, as required by the power system of each country or region.
- The appliance coupler must meet the mechanical configuration of an EN 60 320/IEC 320 Standard Sheet C13 connector for mating with the appliance inlet on the back of the computer.

Requirements for specific countries and regions

Table 12-1 Power cord requirements for specific countries and regions

Country/region	Accredited agency	Applicable note number
Argentina	IRAM	1
Australia	SAA	1
Austria	OVE	1
Belgium	CEBEC	1
Brazil	ABNT	1
Canada	CSA	2
Chile	IMQ	1
Denmark	DEMKO	1
Finland	FIMKO	1
France	UTE	1
Germany	VDE	1
India	BIS	1
Israel	SII	1
Italy	IMQ	1
Japan	JIS	3
The Netherlands	KEMA	1
New Zealand	SANZ	1
Norway	NEMKO	1
The People's Republic of China	CCC	4
Saudi Arabia	SASO	7
Singapore	PSB	1
South Africa	SABS	1
South Korea	KTL	5
Sweden	SEMKO	1
Switzerland	SEV	1
Taiwan	BSMI	6
Thailand	TISI	1
The United Kingdom	ASTA	1
The United States	UL	2

1. The flexible cord must be Type H05VV-F, 3-conductor, 0.75 mm² conductor size. Power cord set fittings (appliance coupler and wall plug) must bear the certification mark of the agency responsible for evaluation in the country or region where it will be used.

Table 12-1 Power cord requirements for specific countries and regions (continued)

Country/region	Accredited agency	Applicable note number
		2. The flexible cord must be Type SVT/SJT or equivalent, No. 18 AWG, 3-conductor. The wall plug must be a two-pole grounding type with a NEMA 5-15P (15 A, 125 V ac) or NEMA 6-15P (15 A, 250 V ac) configuration. CSA or C-UL mark. UL file number must be on each element.
		3. The appliance coupler, flexible cord, and wall plug must bear a “T” mark and registration number in accordance with the Japanese Dentori Law. The flexible cord must be Type VCTF, 3-conductor, 0.75 mm ² or 1.25 mm ² conductor size. The wall plug must be a two-pole grounding type with a Japanese Industrial Standard C8303 (7 A, 125 V ac) configuration.
		4. The flexible cord must be Type RVV, 3-conductor, 0.75 mm ² conductor size. Power cord set fittings (appliance coupler and wall plug) must bear the CCC certification mark.
		5. The flexible cord must be Type H05VV-F 3-conductor, 0.75 mm ² conductor size. KTL logo and individual approval number must be on each element. Corset approval number and logo must be printed on a flag label.
		6. The flexible cord must be Type HVCTF 3-conductor, 1.25 mm ² conductor size. Power cord set fittings (appliance coupler, cable, and wall plug) must bear the BSMI certification mark.
		7. For 127 V ac, the flexible cord must be Type SVT or SJT 3-conductor, 18 AWG, with plug NEMA 5-15P (15 A, 125 V ac), with UL and CSA or C-UL marks. For 240 V ac, the flexible cord must be Type H05VV-F 3-conductor, 0.75 mm ² or 1.00 mm ² conductor size, with plug BS 1363/A with BSI or ASTA marks.

13 Recycling

When a non-rechargeable or rechargeable battery has reached the end of its useful life, do not dispose of the battery in general household waste. Follow the local laws and regulations in your area for battery disposal.

HP encourages customers to recycle used electronic hardware, HP original print cartridges, and rechargeable batteries. For more information about recycling programs, see the HP Web site at <http://www.hp.com/recycle>.

Index

A

AC adapter, spare part numbers 29
action keys 16
 identifying 16
 keyboard backlight 16
 mute 16
 next 16
 pause 16
 play 16
 screen brightness 16
 speaker volume 16
 stop 16
 switch screen image 16
 using 16
 wireless 16

antennas
 disconnecting 41

audio
 adjusting volume 16
audio, product description 2
audio-out (headphone)/audio-in
 (microphone) combo jack,
 identifying 7

B

backup, creating 91
backups 91
battery
 removing 38
 spare part number 38
battery light 8
BIOS
 determining version 83
 downloading an update 83
 updating 83
Bluetooth card
 spare part number 41
Bluetooth label 19
boot order
 changing using the f9 prompt
 84
boot order, changing 92
bottom cover
 removing 37
 spare part number 22, 37

Bracket Kit
 contents 27
 spare part number 27
buttons
 left TouchPad 12
 power 14
 right TouchPad 12

C

Cable Kit
 contents 26
 spare part number 26
cache
 product description 2
camera 10, 11
 identifying 10, 11
 product description 2
camera light, identifying 10, 11
camera module
 spare part number 24, 25
caps lock light, identifying 13
card reader board
 removal 57
 spare part number 21, 57
cautions
 electrostatic discharge 32
components
 bottom 18
 display 10
 keyboard area 12
 left side 9
 right side 7

Computer Setup
 navigating and selecting 82
 restoring factory settings 82
 starting 82
computer setup 82
computer specifications 93
connector, power 8

D

display assembly
 removal 63, 70
 spare part numbers 63, 70

display assembly, non-touch models
 spare part numbers 23
display assembly, touch models
 spare part numbers 25
display bezel
 spare part numbers 23
display components 10
display panel
 product description 1
display rear cover
 spare part number 24, 26
display specifications 94
docking
 product description 4
drive light, identifying 9

E

electrostatic discharge (ESD) 32
 preventing damage 33
embedded numeric keypad,
 identifying 15
esc key, identifying 15
Ethernet, product description 2
external media cards, product
 description 3

F

fan
 removing 50
 spare part number 21
fingerprint sensor assembly
 removal 55
 spare part number 21, 55
fingerprint sensor, identifying 14
fn key, identifying 15
fn lock light, identifying 13

G

graphics, product description 1
grounding methods 34
guidelines
 packaging 35
 transporting 35
 workstation 32

H

hard drive
 product description 2
 removing 46
 spare part numbers 22, 28, 46
 specifications 94
Hard Drive Hardware Kit
 spare part number 22, 28, 46
HDMI port, identifying 7
heat sink
 removal 51
 spare part number 21
Hinge Kit
 spare part number 24, 26
hot keys
 break 17
 insert 17
 microphone mute 16
 pause 17
 programming query 17
 scroll lock 17
hotkeys, using 17
HP PC Hardware Diagnostics UEFI
 downloading 88
 starting 88
 using 87
HP PC Hardware Diagnostics Windows
 downloading 86
 installing 87
 using 86
HP Recovery Manager
 correcting boot problems 92
HP Recovery media
 recovery 92
HP Sure Start 101

I

internal microphones, identifying
 10, 11

J

jacks
 audio-out (headphone)/audio-in
 (microphone) combo 7
 network 7
 RJ-45 (network) 7

K

keyboard
 product description 4
 spare part numbers 21

keyboard backlight
 action key 16
keyboard/top cover
 removal 81
 spare part numbers 81
keypad
 embedded numeric 15
keys
 action 16
 esc 15
 fn 15
 num lock 15
 Windows 15

L

labels
 Bluetooth 19
 regulatory 19
 serial number 19
 service 19
 wireless certification 19
 WLAN 19
left side components 9
lights
 AC adapter and battery 8
 battery 8
 camera 10, 11
 caps lock 13
 fn lock 13
 hard drive 9
 microphone mute 13
 num lock 13
 power 13
 RJ-45 (network) 7
 wireless 13

M

mass storage devices, spare part
 numbers 28
memory
 nonvolatile 96
 volatile 96
memory card reader, identifying 9
memory module
 product description 2
 removal 39
 spare part numbers 22, 39
microphone (audio-in) jack
 product description 2

microphone board
 spare part number 24, 25
microphone mute key, identifying
 16
microphone mute light, identifying
 13
mini card
 product description 2
model name 1
mute volume action key 16

N

network jack, identifying 7
next track action key 16
nonvolatile memory 96
num lock light 13

O

operating system, product
 description 5
optical drive
 product description 2

P

packaging guidelines 35
pause action key 16
play action key 16
pointing device, product
 description 4
ports
 HDMI 7
 product description 3
 USB powered 9
 USB SuperSpeed 7, 9
 USB Type-C DisplayPort 7
 USB Type-C power connector 7
 USB Type-C SuperSpeed 7
power button, identifying 14
power cable
 spare part number 21
power connector
 identifying 7, 8
power connector cable
 removal 80
 spare part number 80
power cord
 requirements for all countries
 102
 requirements for specific
 countries and regions 103

- set requirements 102
- spare part numbers 29, 30
- power lights 13
- power requirements, product
 - description 4
- power/USB board
 - removal 53
 - spare part number 21, 53
- processor
 - product description 1
- product description
 - audio 2
 - cache 2
 - camera 2
 - display panel 1
 - docking 4
 - Ethernet 2
 - external media cards 3
 - graphics 1
 - hard drives 2
 - keyboard 4
 - memory module 2
 - microphone 2
 - mini card 2
 - operating system 5
 - optical drive 2
 - pointing devices 4
 - ports 3
 - power requirements 4
 - processors 1
 - product name 1
 - security 5
 - sensors 3
 - serviceability 6
 - wireless 3
- product name 1
- product name and number,
 - computer 19

R

- recovery 91
 - discs 92
 - HP Recovery partition 92
 - media 92
 - USB flash drive 92
- recovery media
 - creating using HP Cloud Recovery
 - Download Tool 91
 - creating using Windows tools 91

- regulatory information
 - regulatory label 19
 - wireless certification labels 19
- Remote HP PC Hardware Diagnostics
 - UEFI settings
 - customizing 89
 - using 89
- removal/replacement
 - procedures, Authorized Service
 - Provider 48
 - procedures, Customer Self-
 - Repair 36
- removing personal data from volatile
 - system memory 96
- restoring 91
- right side components 7
- RJ-45 (network) jack, identifying 7
- RJ-45 (network) lights, identifying
 - 7
- RTC battery
 - removal 59
 - spare part number 21, 59

S

- screen brightness action keys 16
- Screw Kit, spare part number 29
- security cable slot, identifying 9
- security, product description 5
- sensors
 - product description 3
- serial number, computer 19
- service labels, locating 19
- serviceability, product description 6
- setup utility
 - navigating and selecting 82
 - restoring factory settings 82
- slots
 - security cable 9
- solid-state drive
 - removal 45
 - spare part numbers 22, 28, 45
 - specifications 95
- speaker assembly
 - removal 49
 - spare part number 21, 49
- speaker volume action keys 16
- speakers, identifying 14
- special keys, using 15
- specifications
 - computer 93

- display 94
- hard drive 94
- solid-state drive 95
- static electricity 33
- stop action key 16
- Sure Start
 - using 85
- switch screen image action key 16
- system board
 - removal 60
 - spare part numbers 21, 60
- system memory, removing personal
 - data from volatile 96
- system restore point, creating 91

T

- thermal material, replacement 52
- TouchPad
 - spare part number 21
- TouchPad assembly
 - removal 54
 - spare part number 54
- TouchPad buttons
 - identifying 12
- TouchPad zone
 - identifying 12
- TPM settings 84
- transporting guidelines 35
- traveling with the computer 19

U

- USB powered port, identifying 9
- USB SuperSpeed port, identifying 7
- USB SuperSpeed powered port,
 - identifying 9
- USB Type-C power connector port,
 - identifying 7
- USB Type-C SuperSpeed port,
 - identifying 7

V

- vents, identifying 9, 18
- volume
 - adjusting 16
 - mute 16

W

- Windows
 - backup 91
 - recovery media 91
 - system restore point 91

- Windows key, identifying 15
- Windows tools, using 91
- wireless action key 16
- wireless antennas
 - disconnecting 41
- wireless antennas, identifying 10, 11
- wireless certification label 19
- wireless light, identifying 13
- wireless, product description 3
- WLAN antennas, identifying 10, 11
- WLAN device 19
- WLAN label 19
- WLAN/Bluetooth combo card
 - removal 41
 - spare part number 22, 41
- workstation guidelines 32
- WWAN antennas, identifying 10, 11
- WWAN module
 - removal 43
 - spare part numbers 43